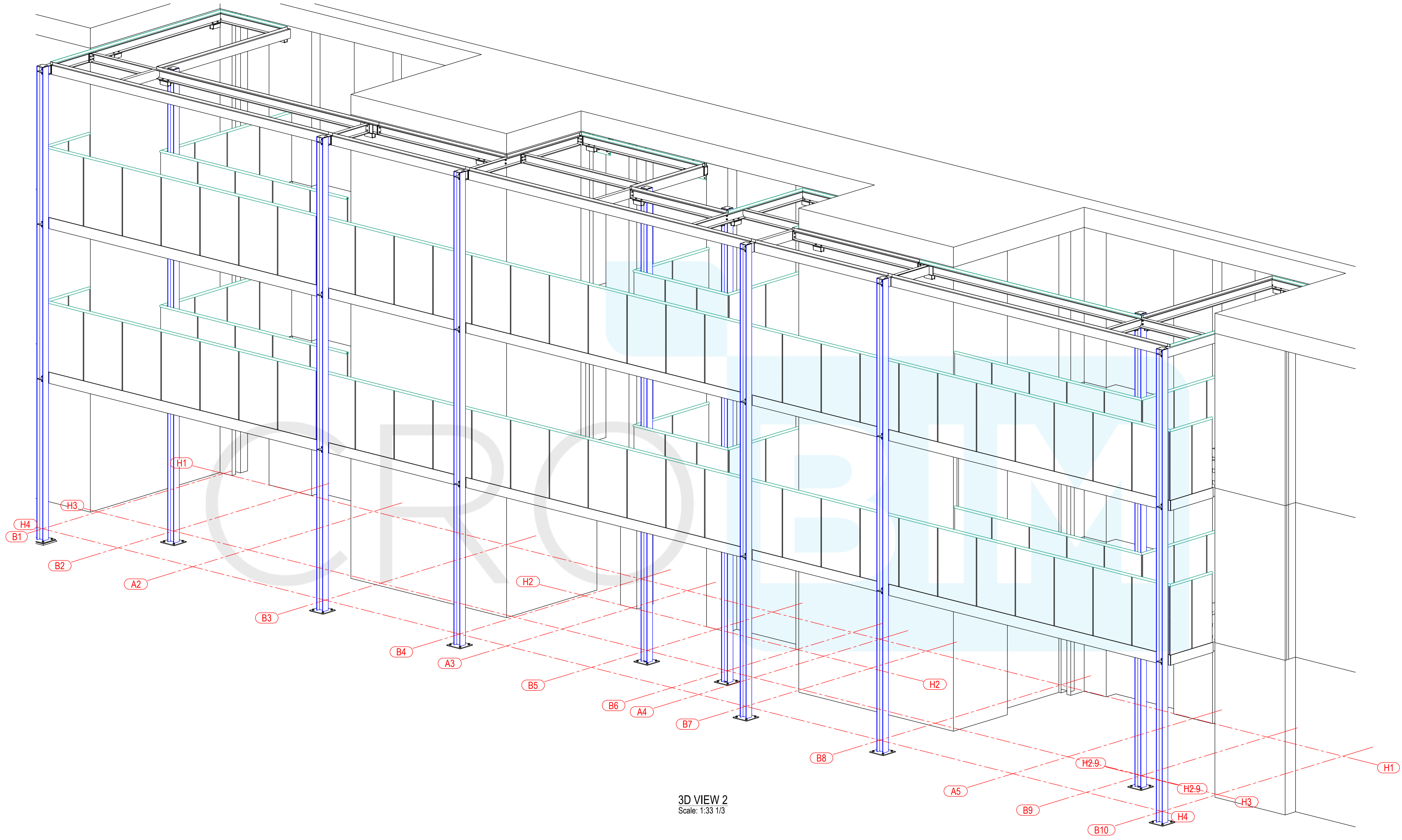
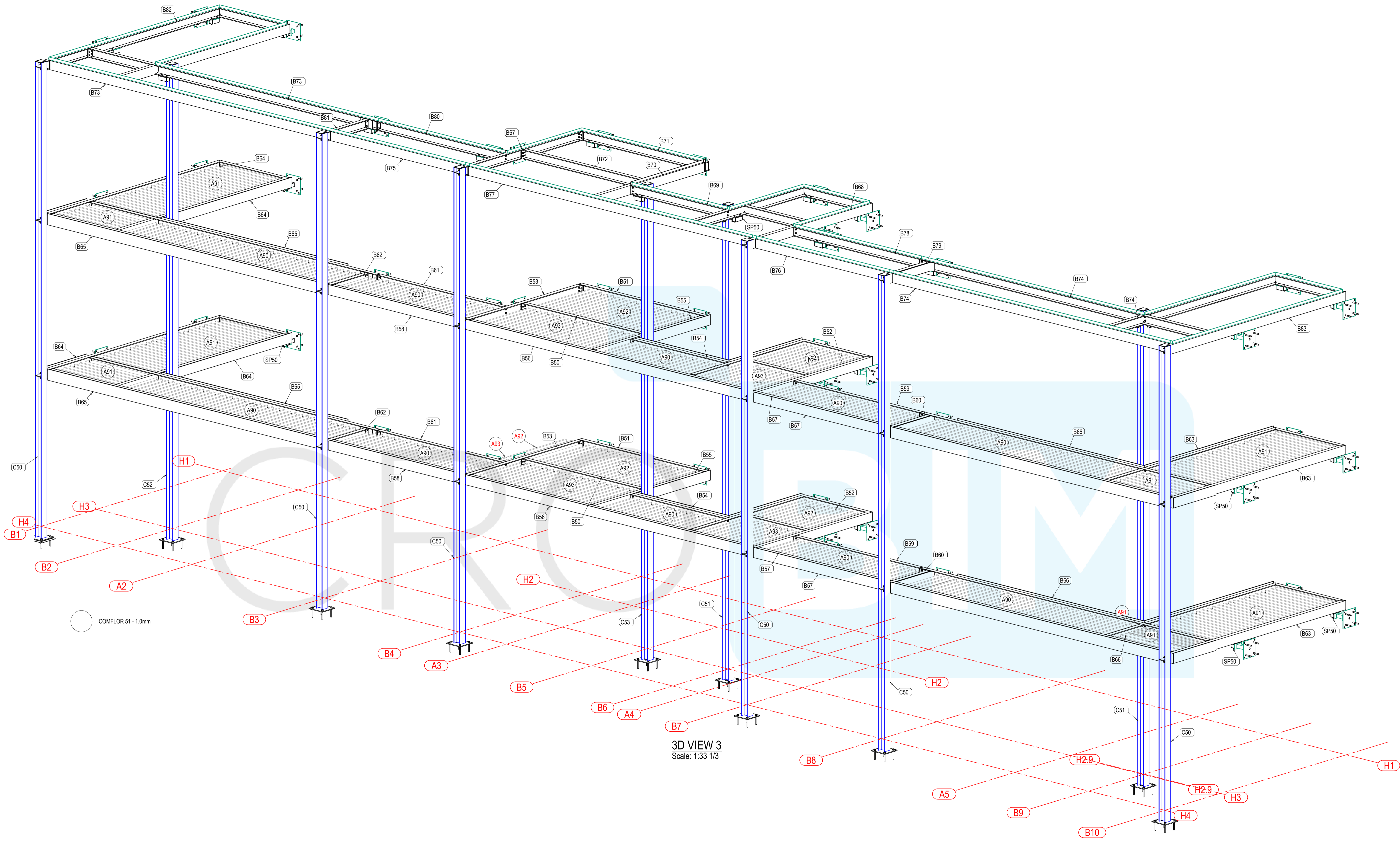


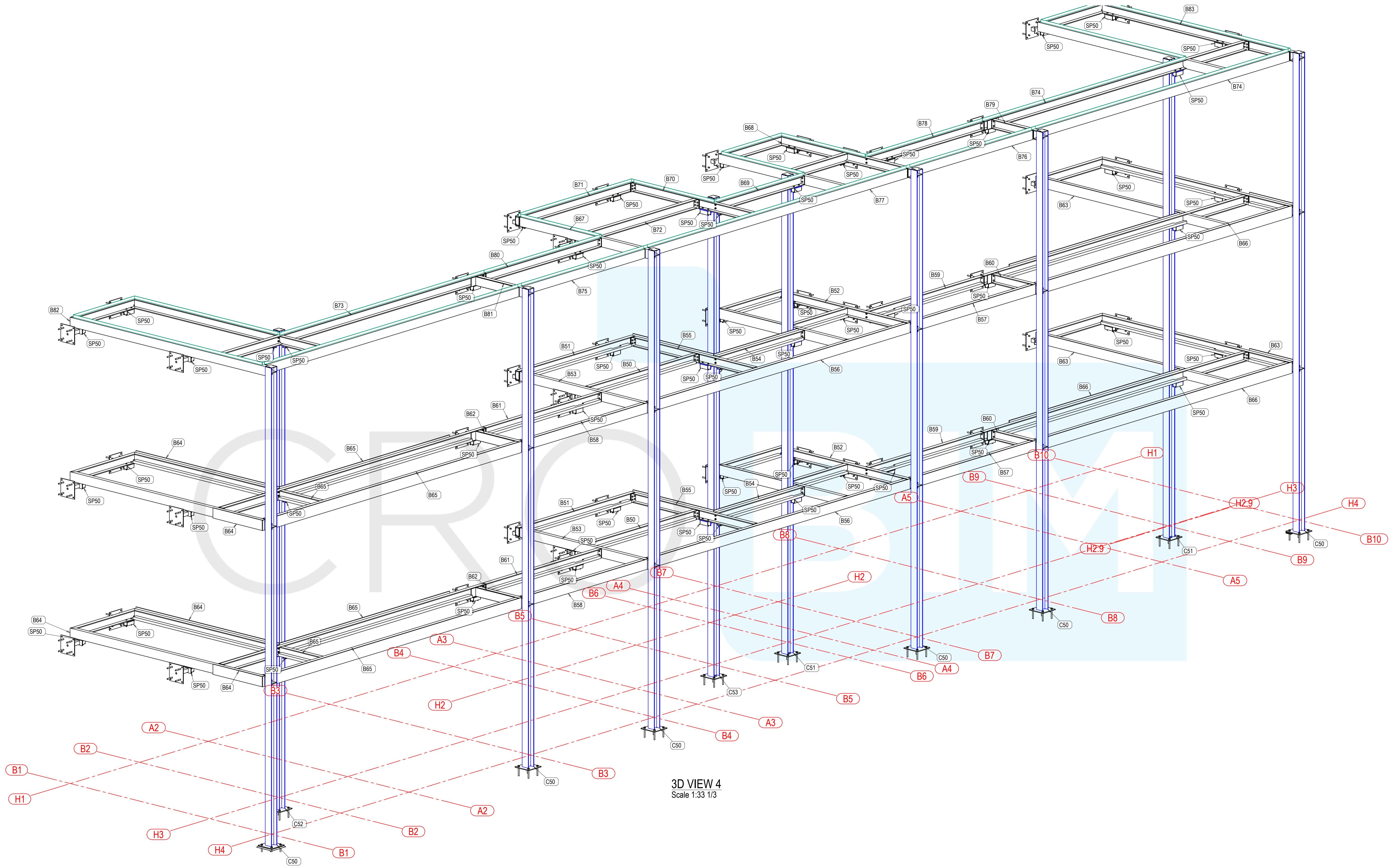
3D VIEW 1
Scale: 1:33 1/3



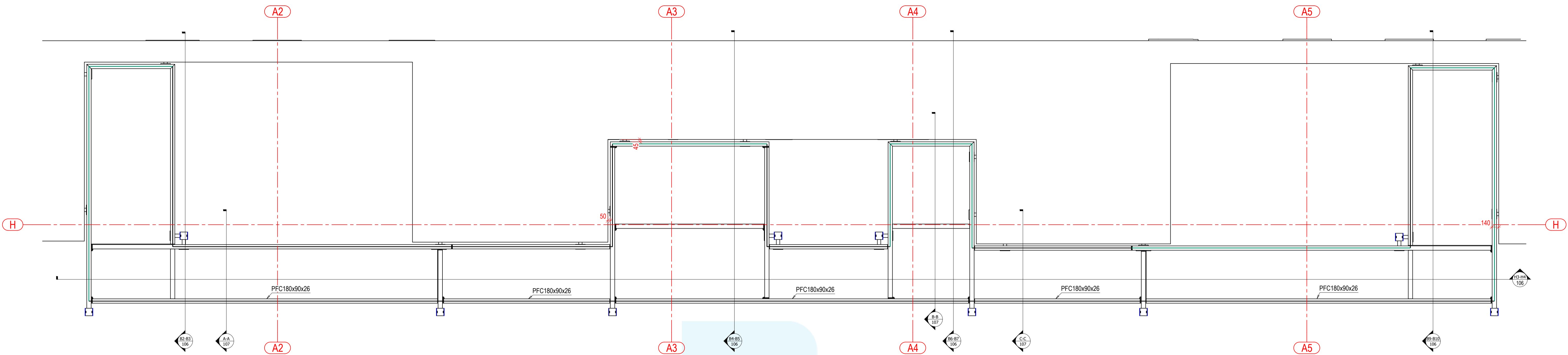
3D VIEW 2
Scale: 1:33 1/3



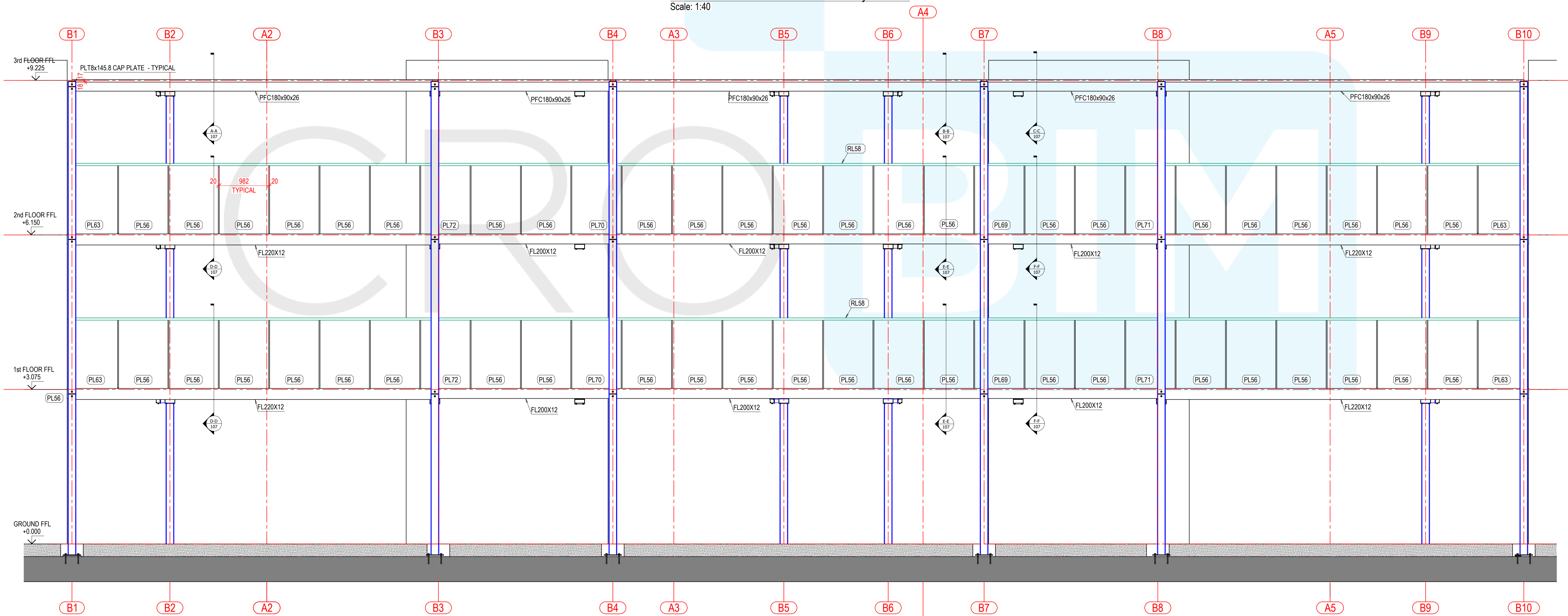
3D VIEW 3
Scale: 1:33 1/3



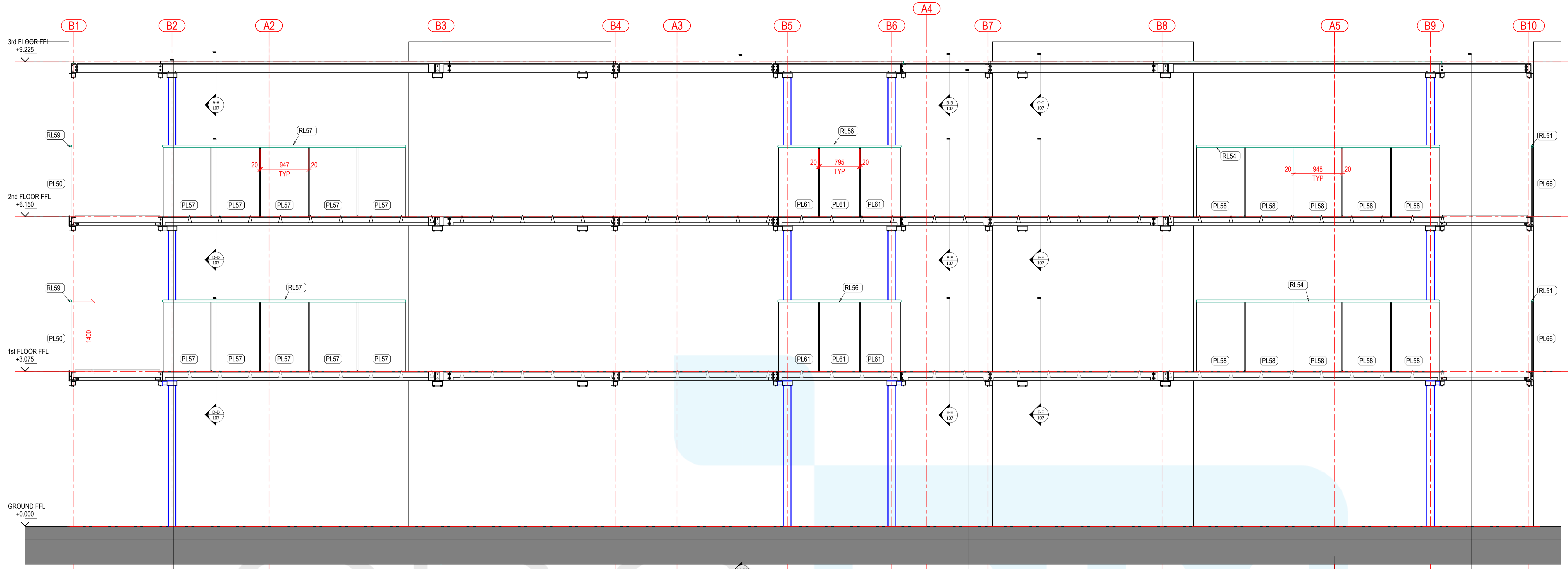
3D VIEW 4
Scale 1:33 1/3



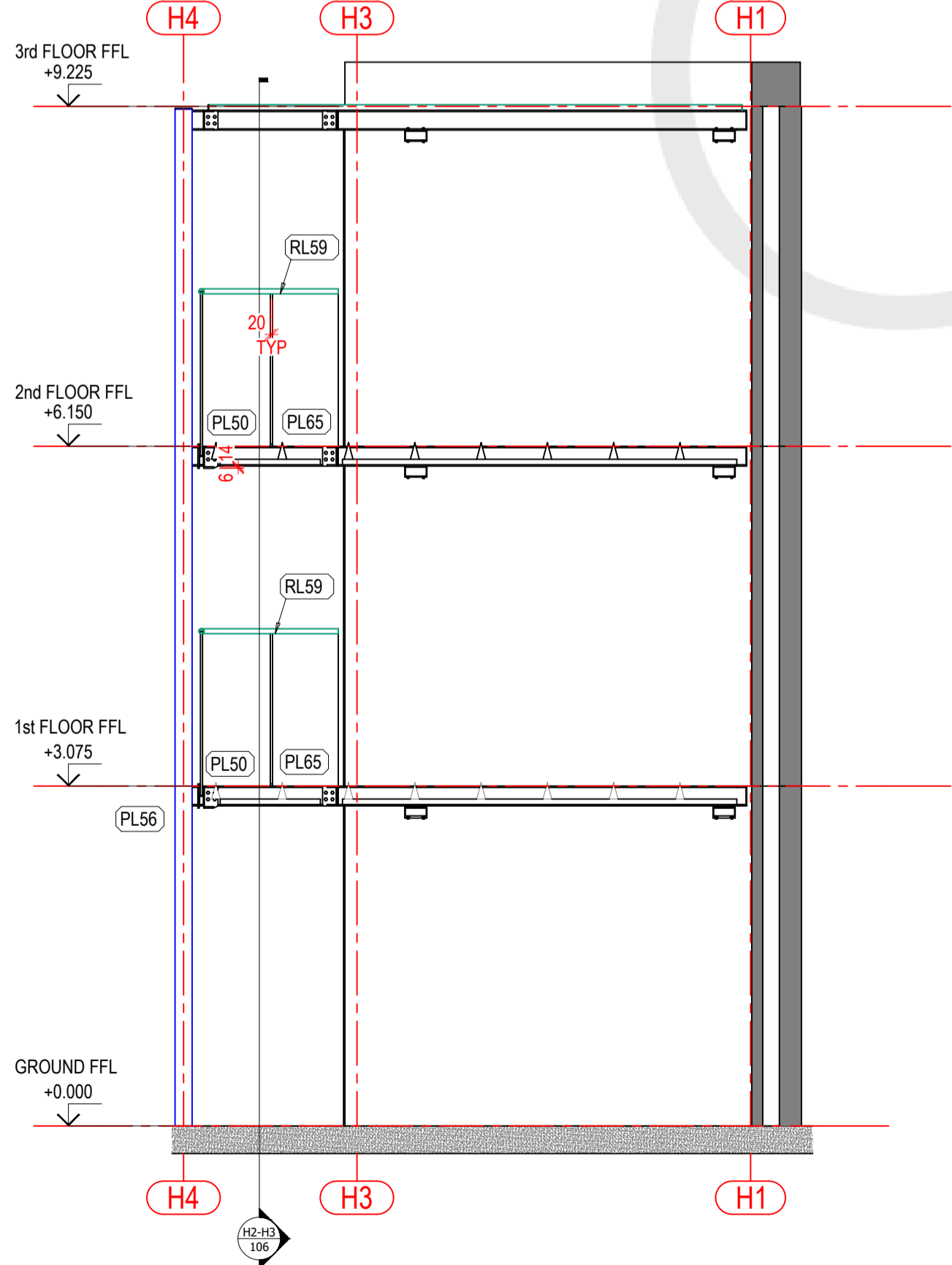
THIRD FLOOR PLAN - Steel Walkway Block A
Scale: 1:40



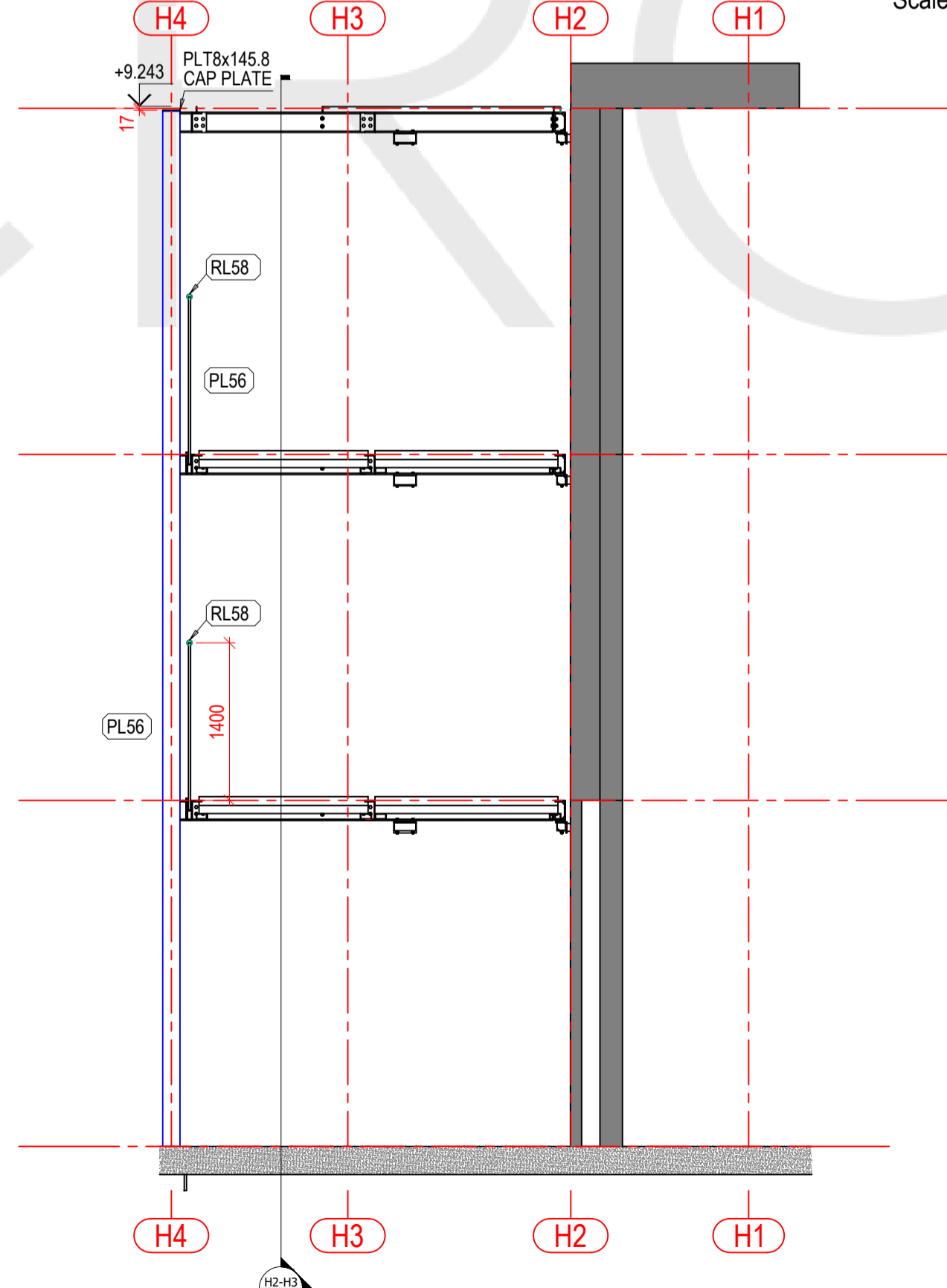
FRONT VIEW - Steel Walkway Block A
Scale: 1:40



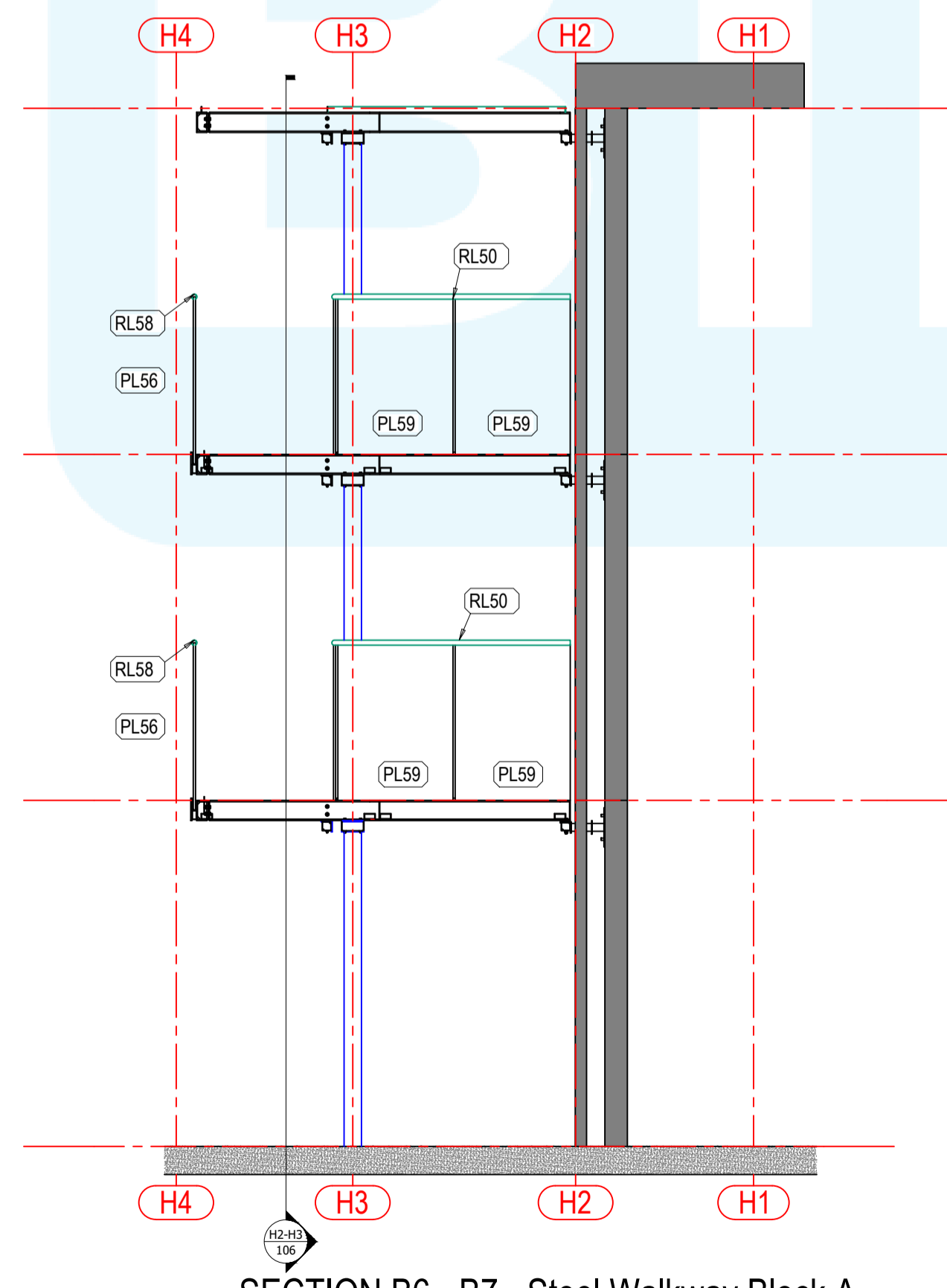
SECTION H3 - H4 - Steel Walkway Block A
Scale: 1:40



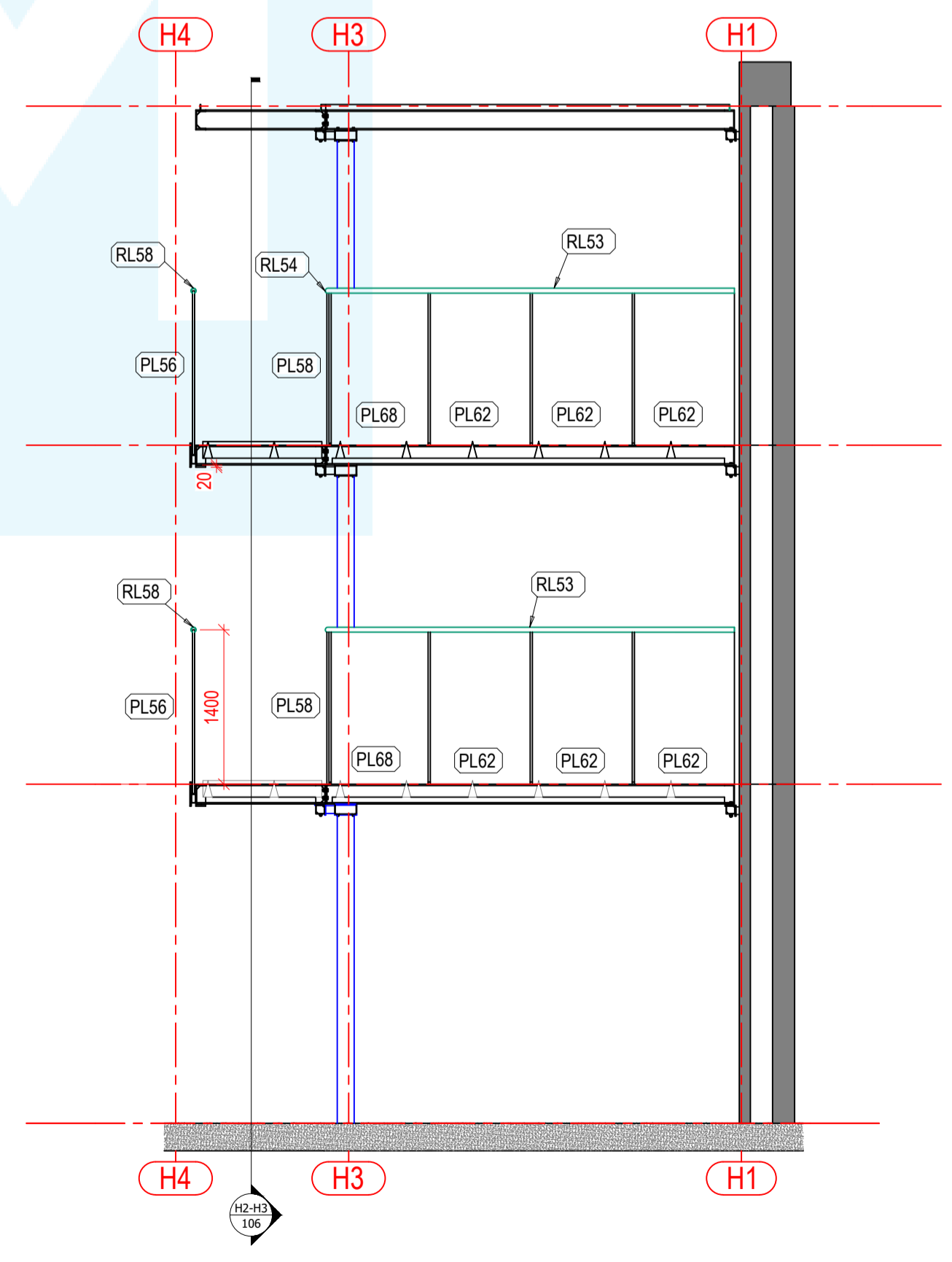
SECTION B1 - B2 - Steel Walkway Block A
Scale: 1:50



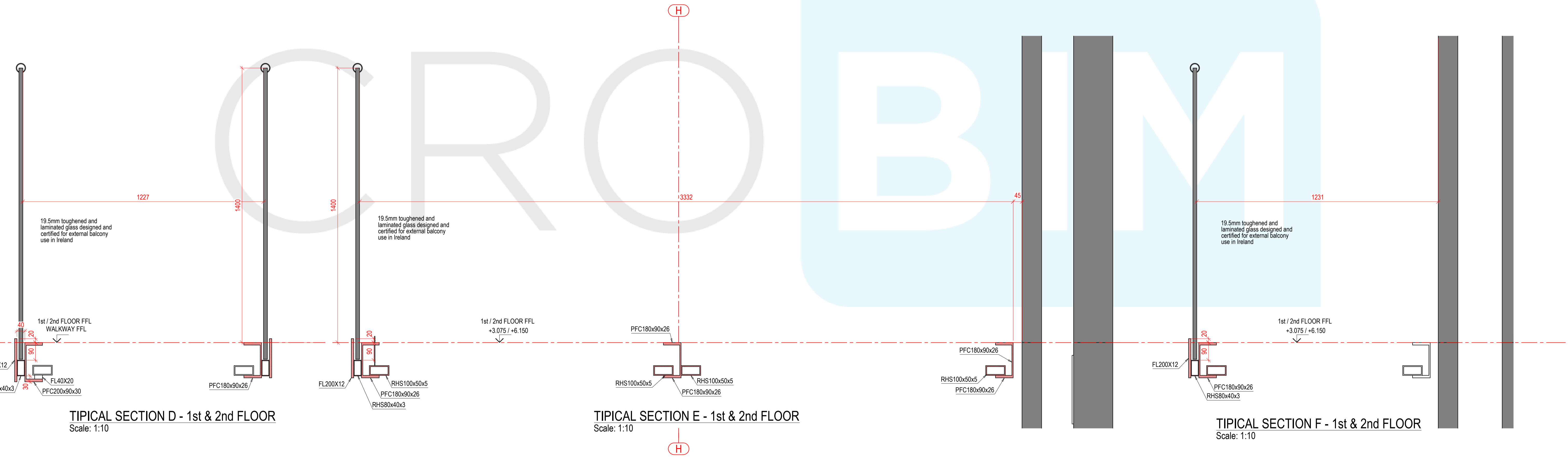
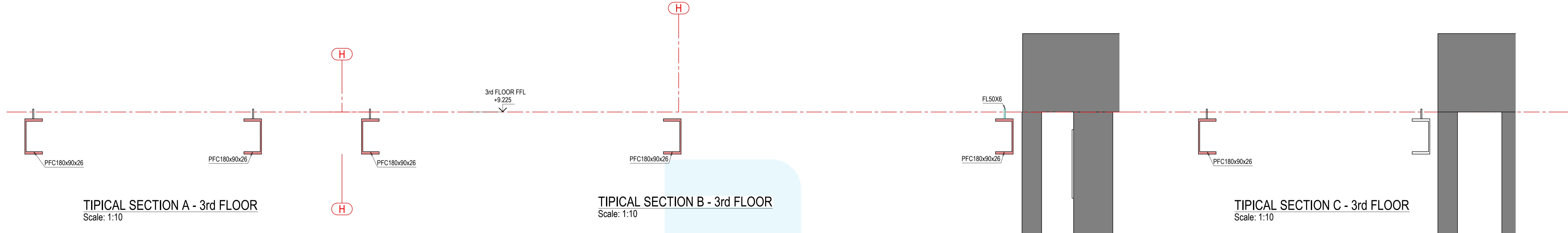
SECTION B4 - B5 - Steel Walkway Block A
Scale: 1:50

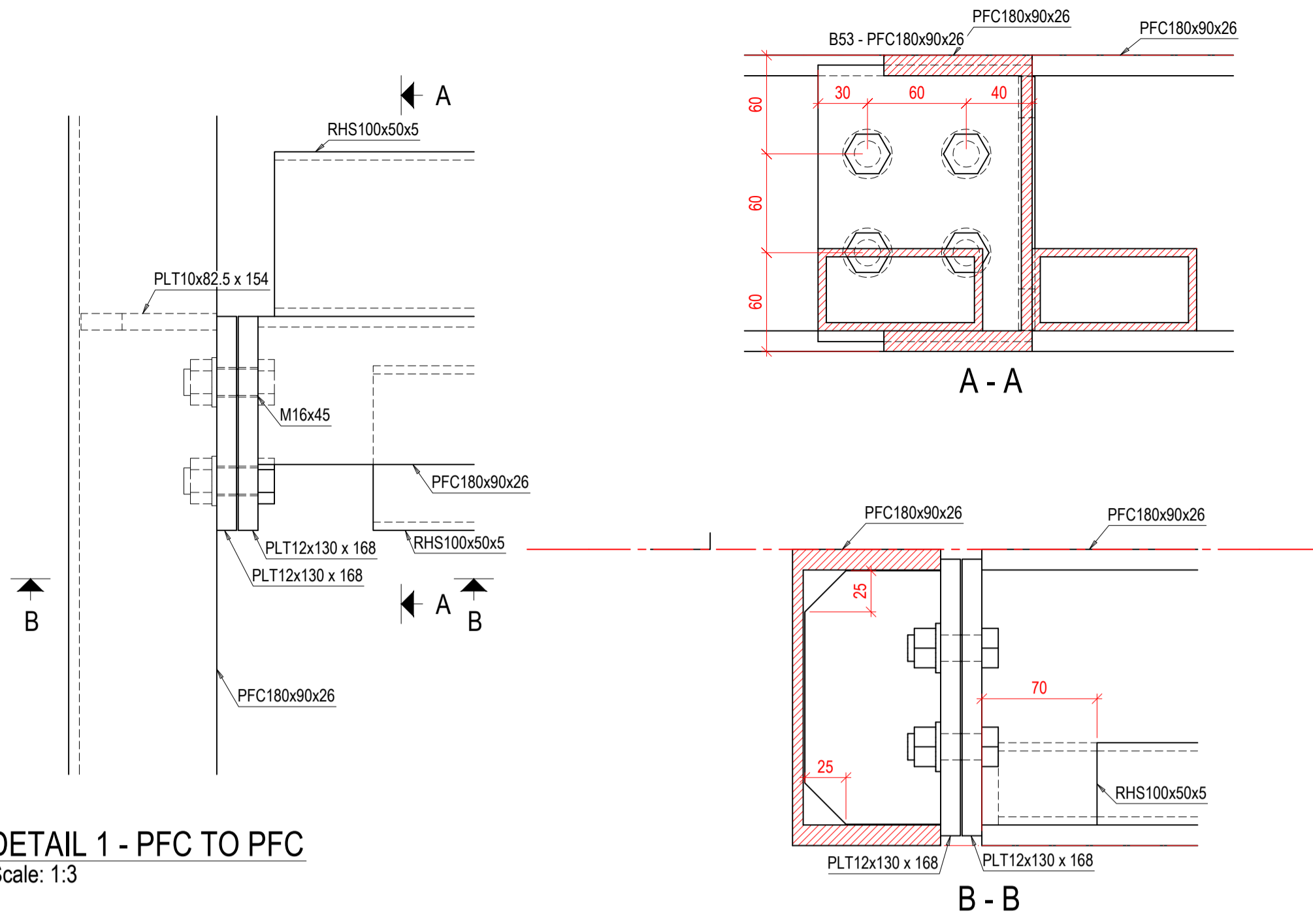


SECTION B6 - B7 - Steel Walkway Block A
Scale: 1:50

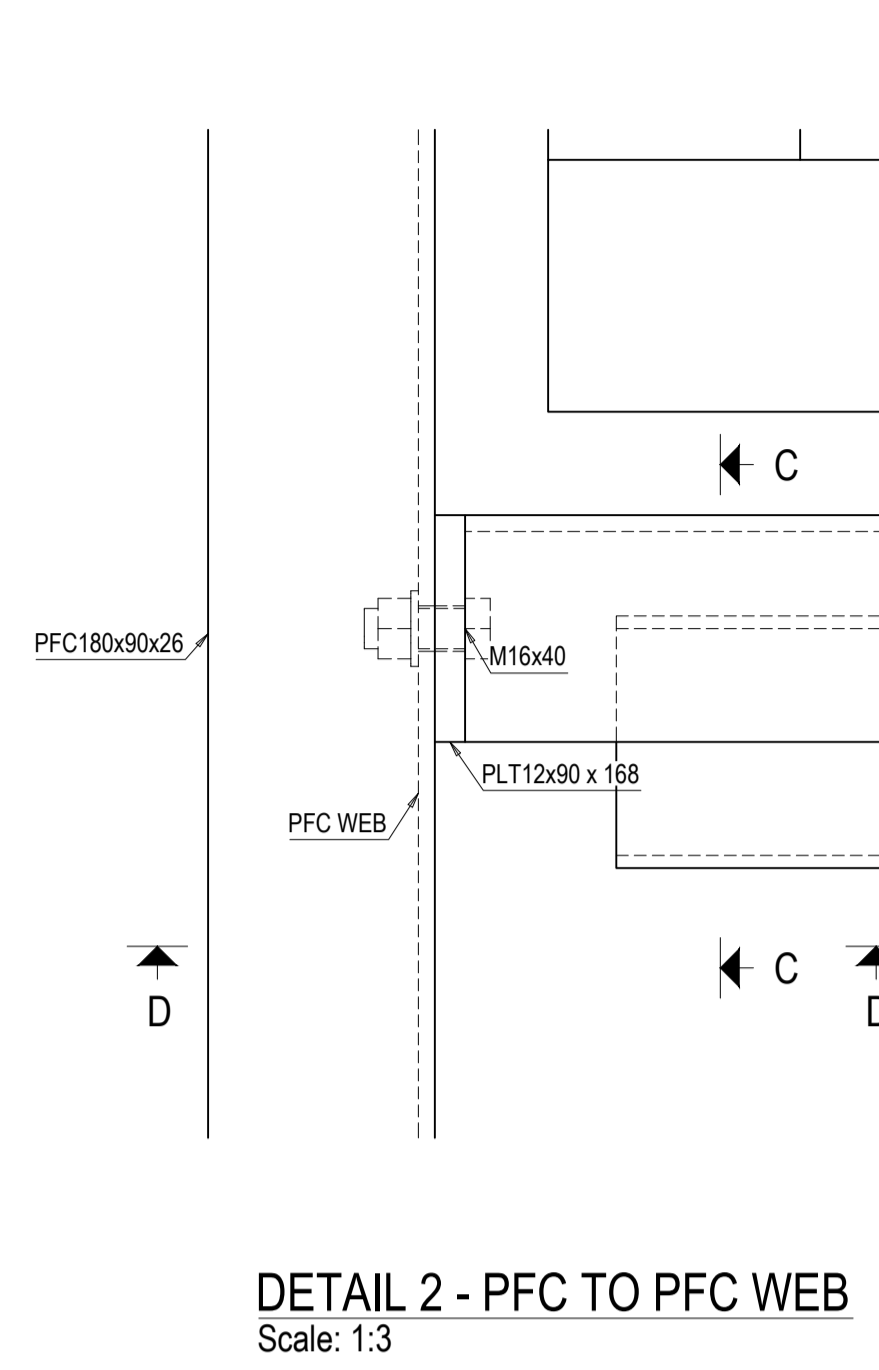


SECTION B9 - B10 - Steel Walkway Block A
Scale: 1:50

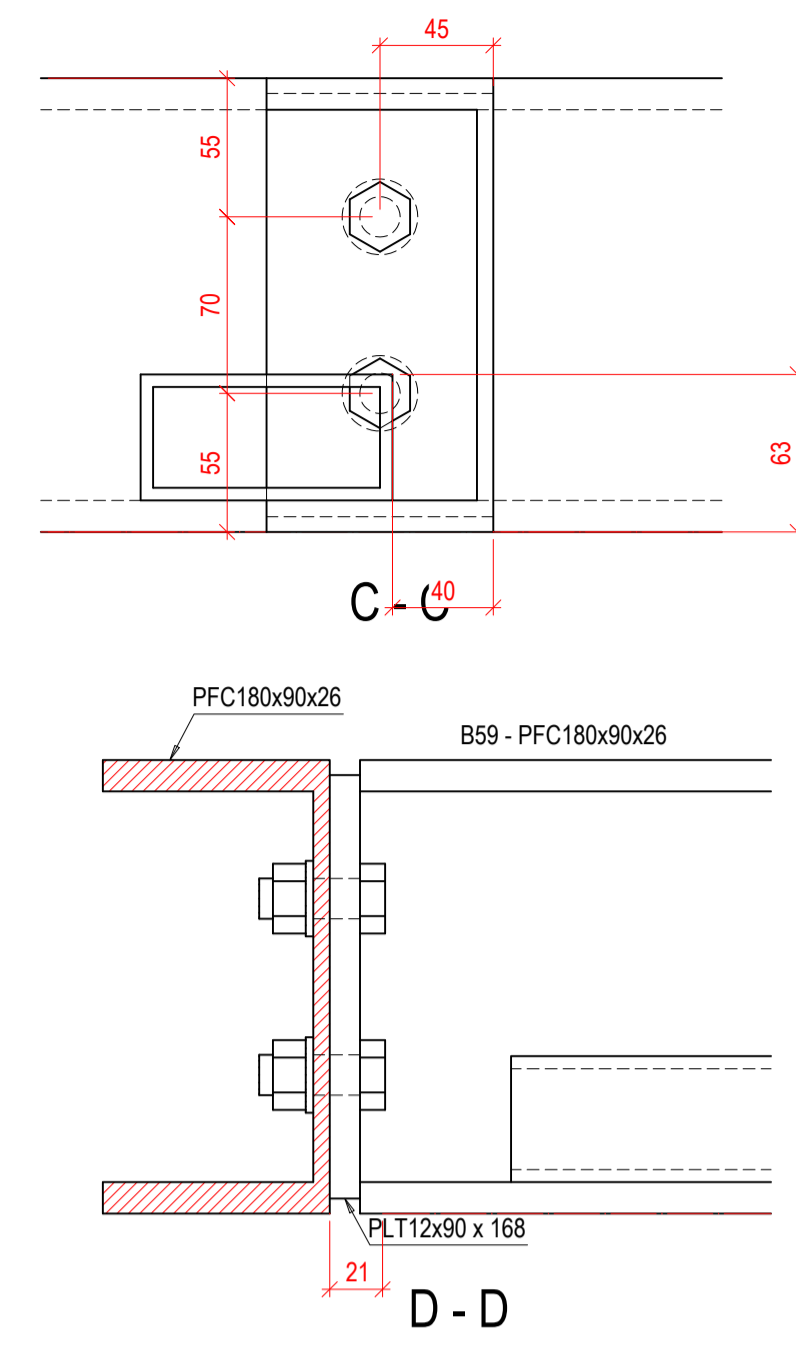




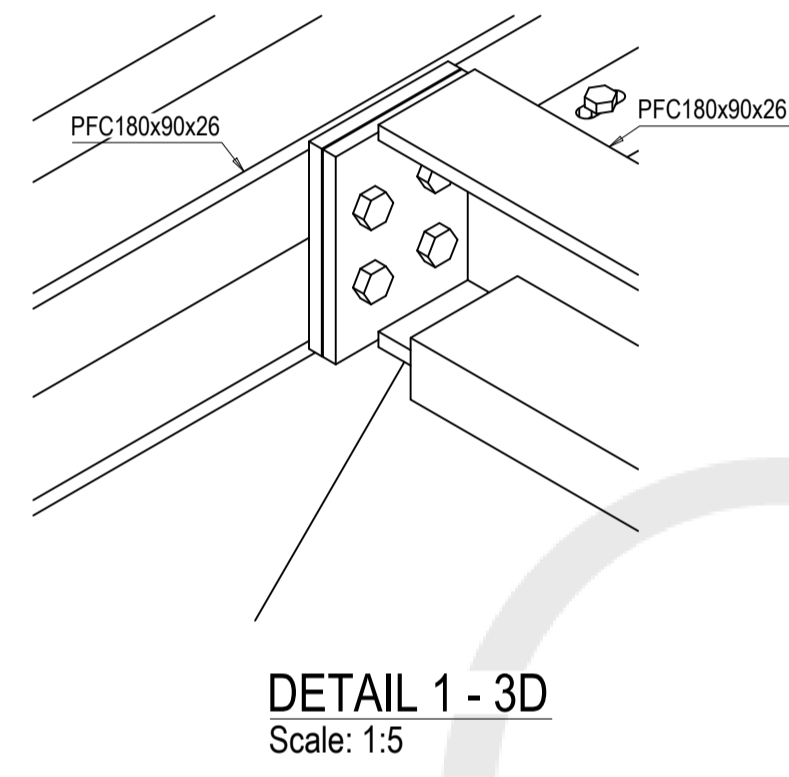
DETAIL 1 - PFC TO PFC
Scale: 1:3



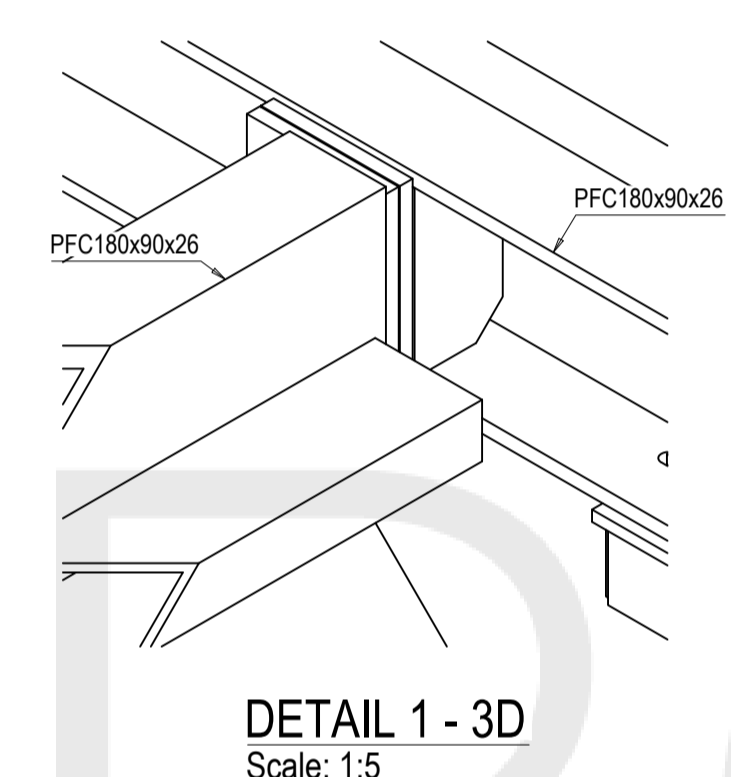
DETAIL 2 - PFC TO PFC WEB
Scale: 1:3



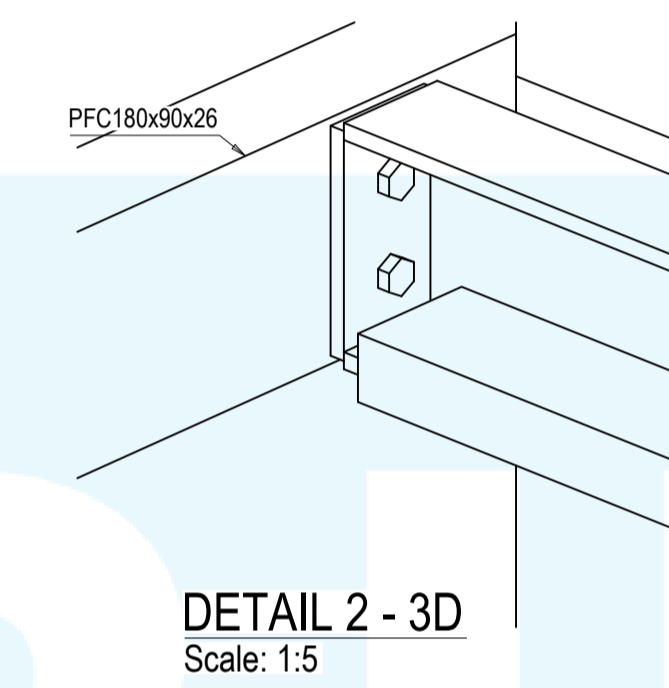
DETAIL 2 - 3D
Scale: 1:5



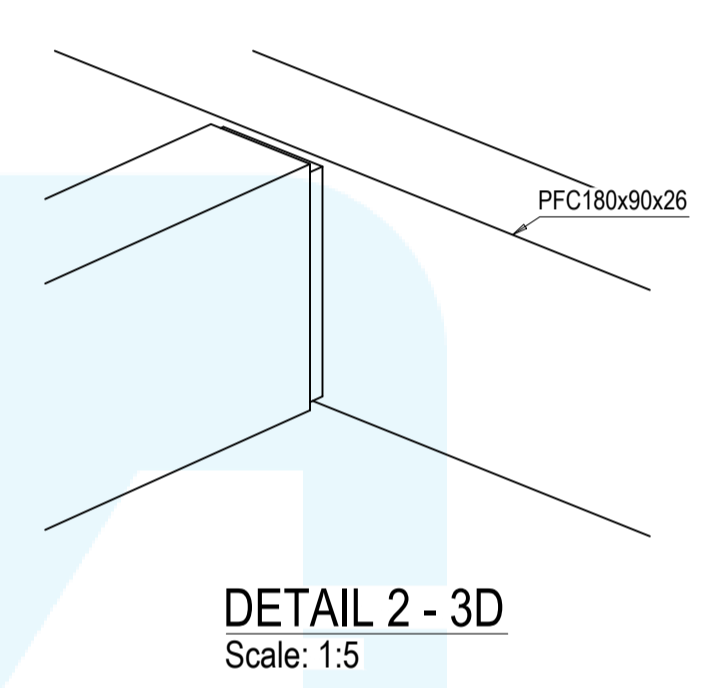
DETAIL 1 - 3D
Scale: 1:5



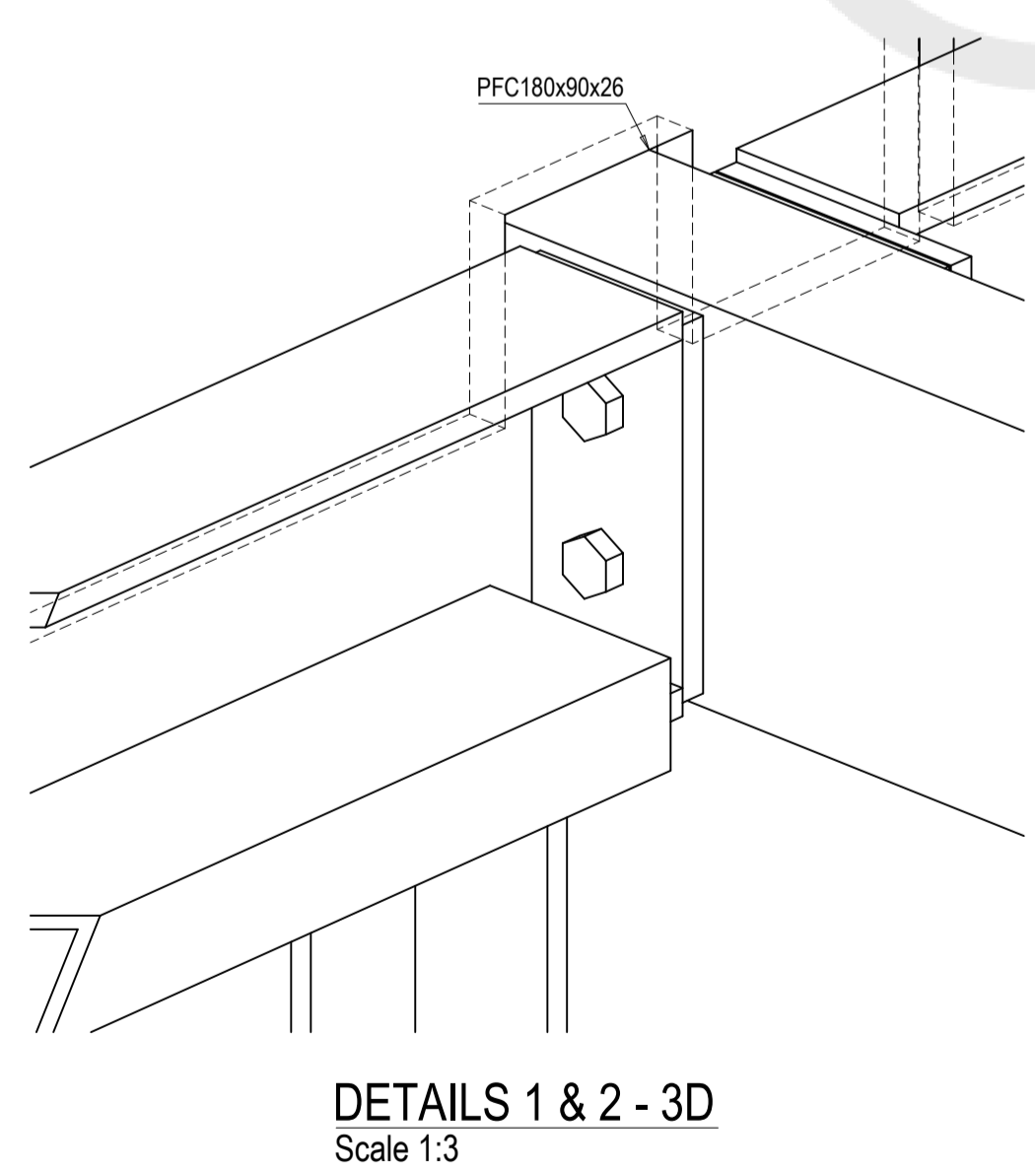
DETAIL 1 - 3D
Scale: 1:5



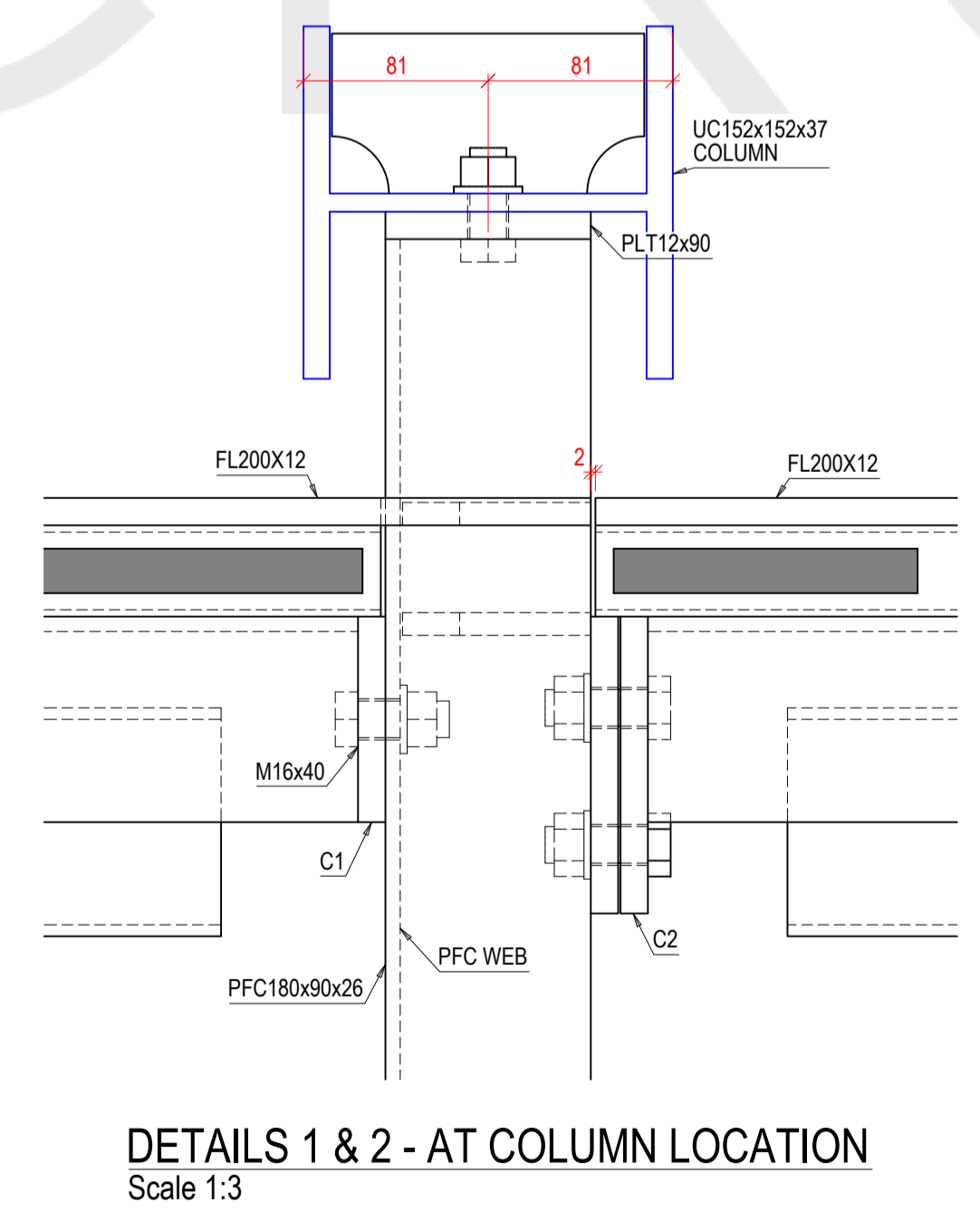
DETAIL 2 - 3D
Scale: 1:5



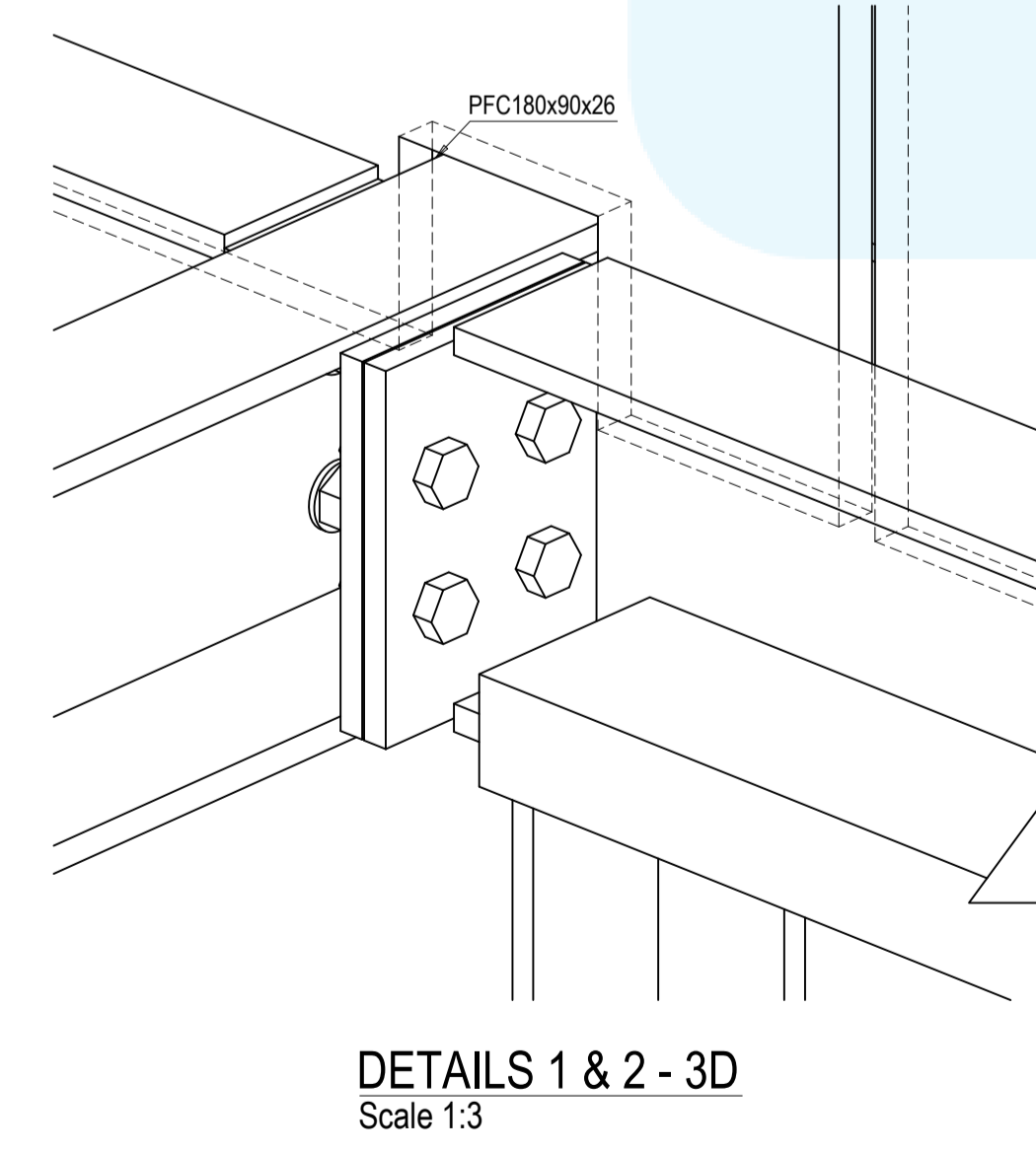
DETAIL 2 - 3D
Scale: 1:5



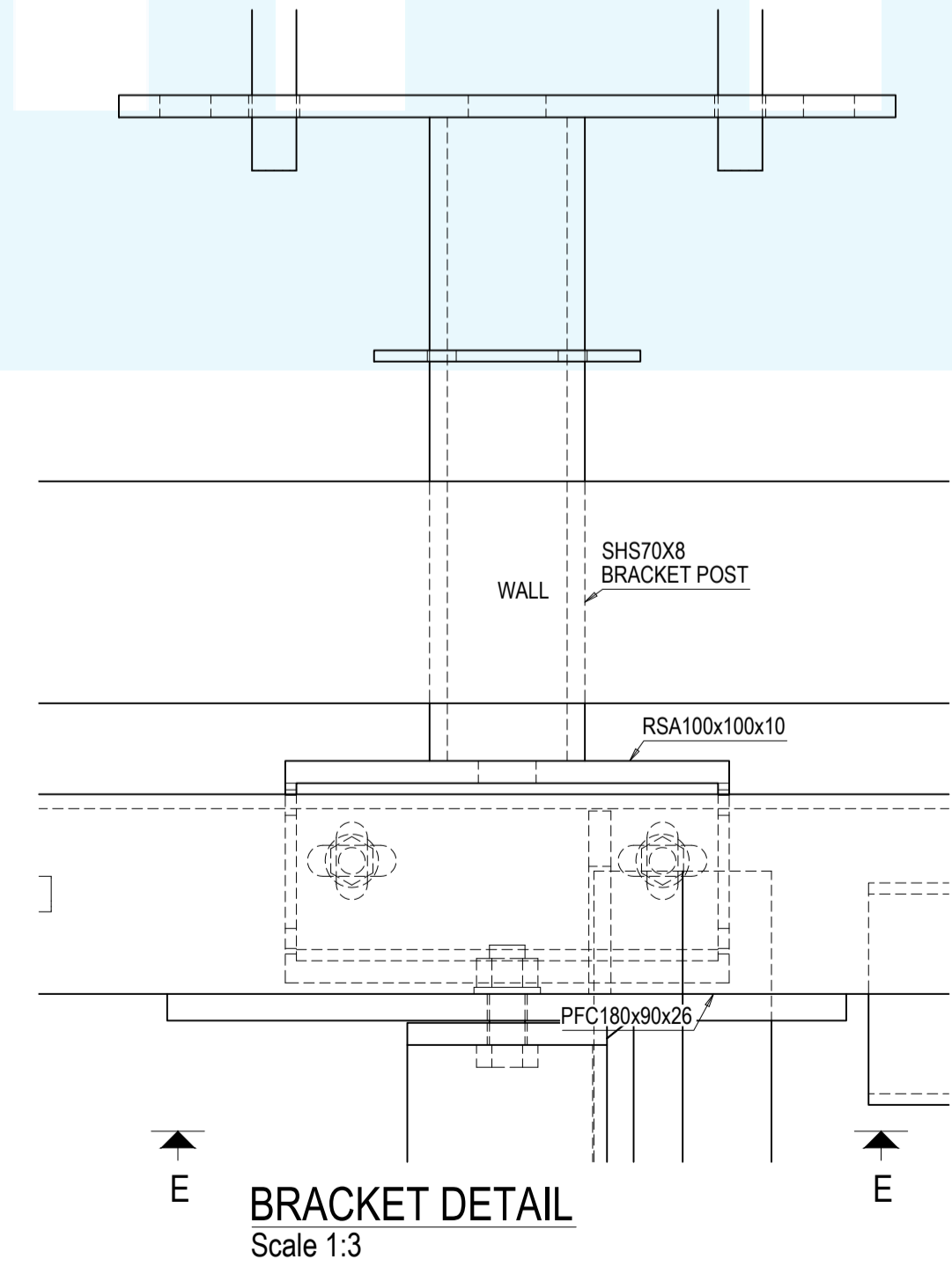
DETAILS 1 & 2 - 3D
Scale: 1:3



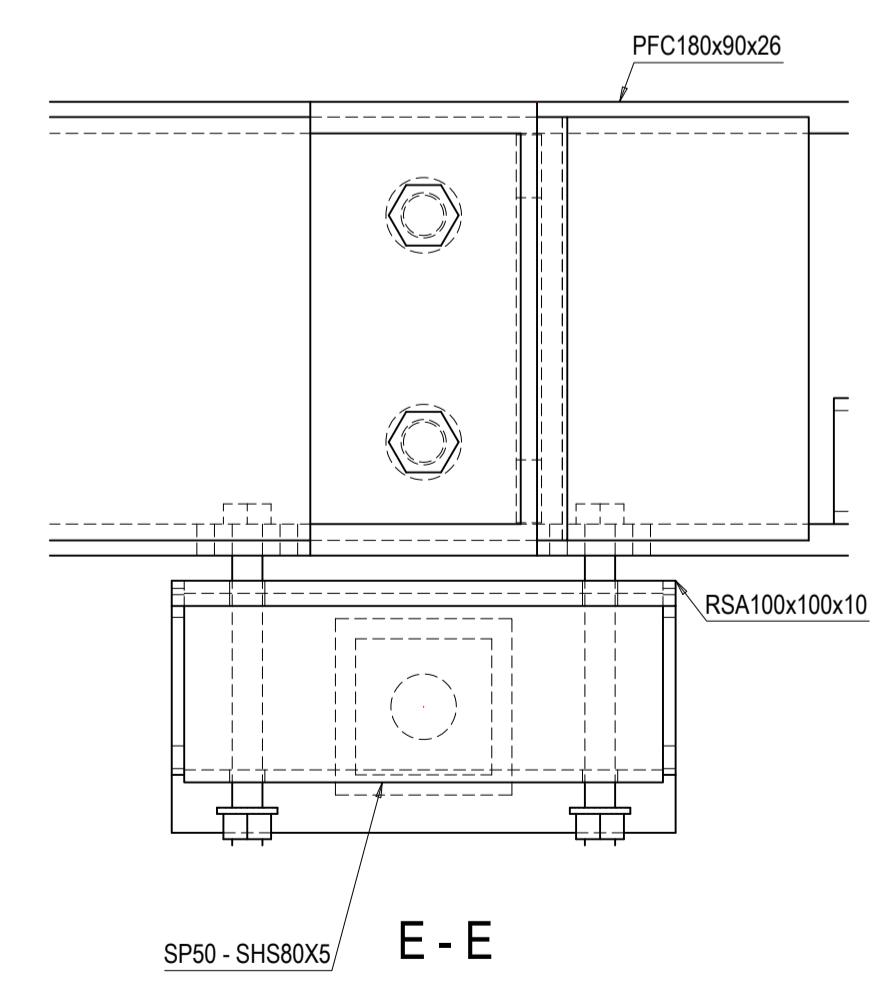
DETAILS 1 & 2 - AT COLUMN LOCATION
Scale: 1:3



DETAILS 1 & 2 - 3D
Scale: 1:3



BRACKET DETAIL
Scale: 1:3



E - E
Scale: 1:3