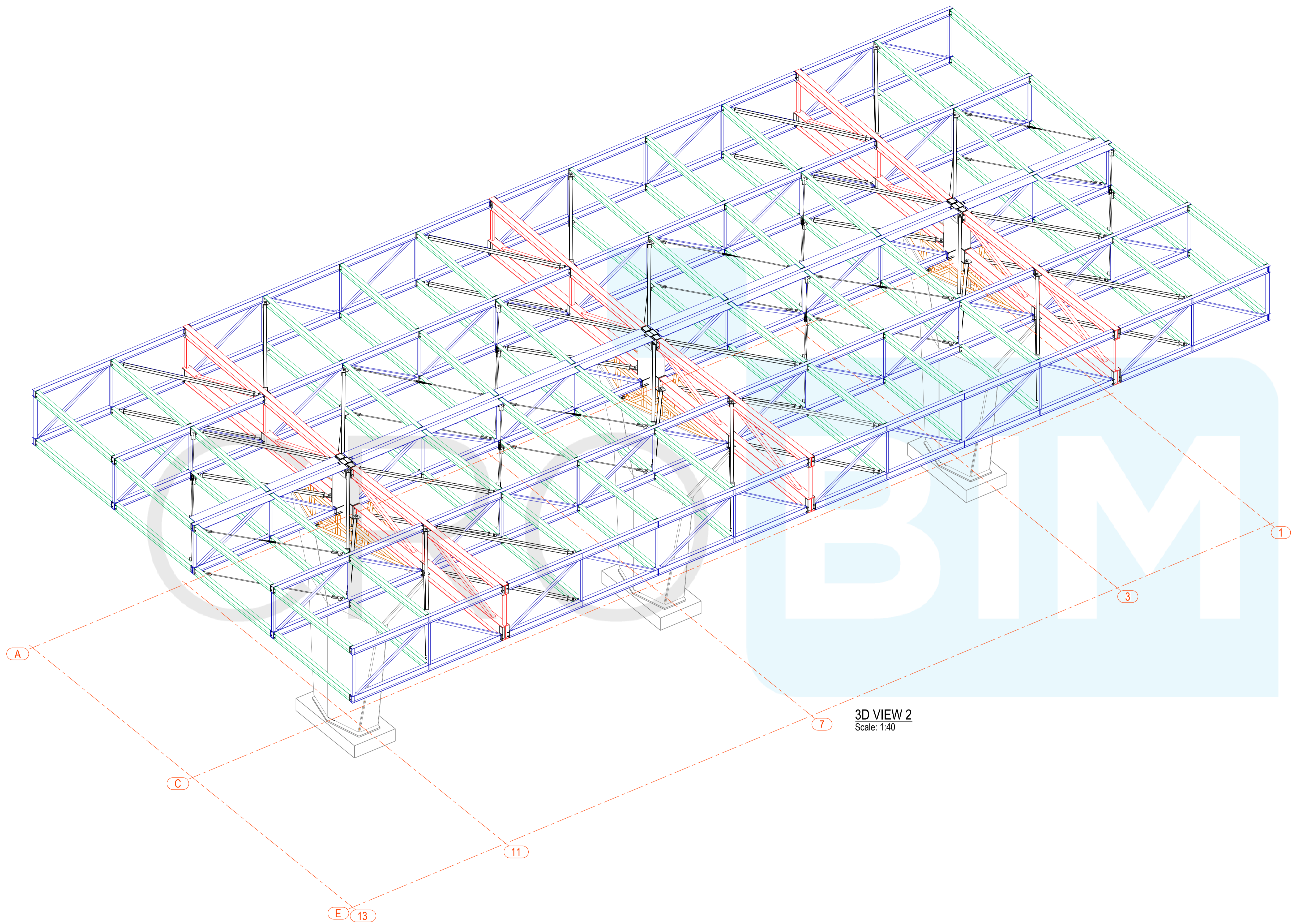
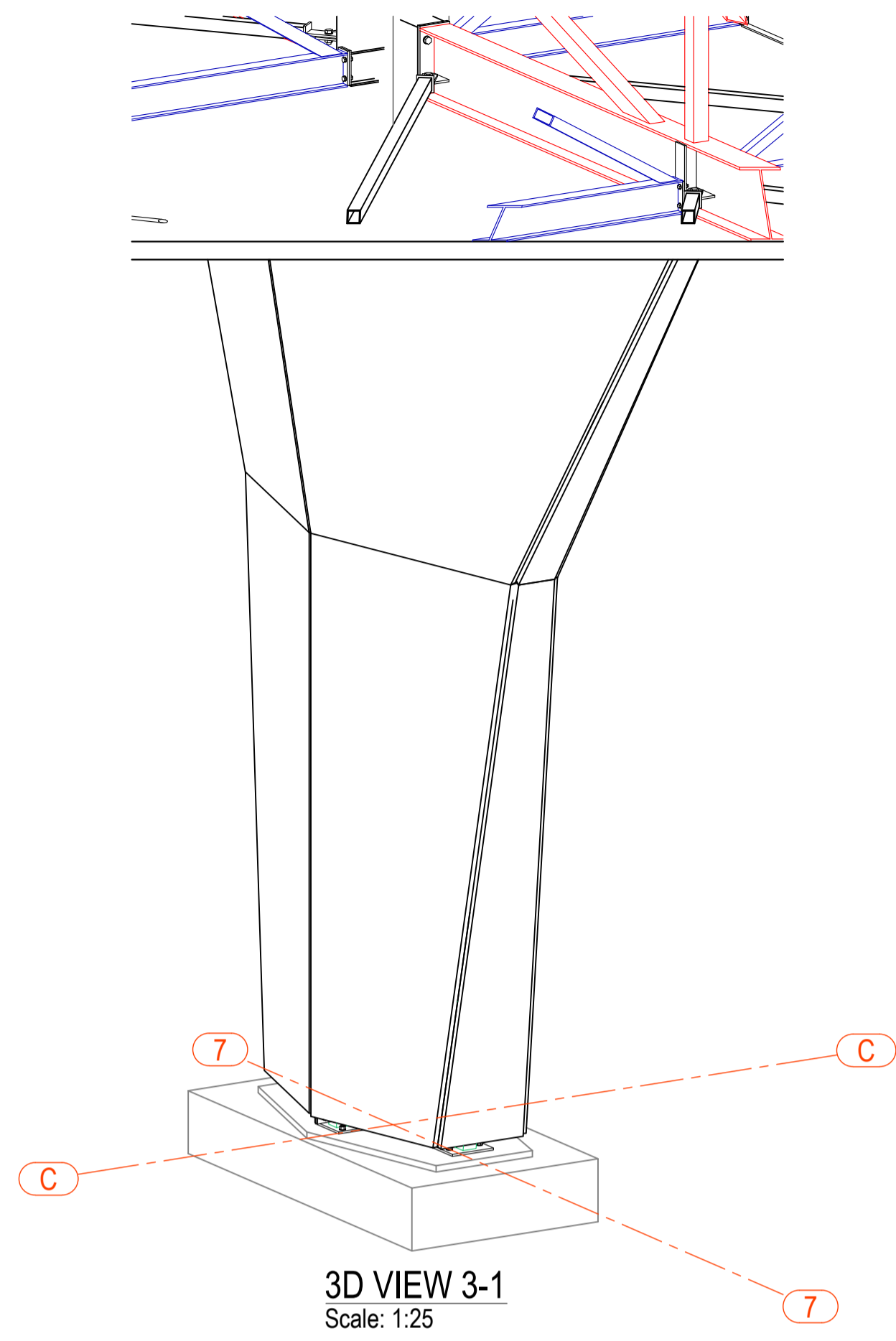


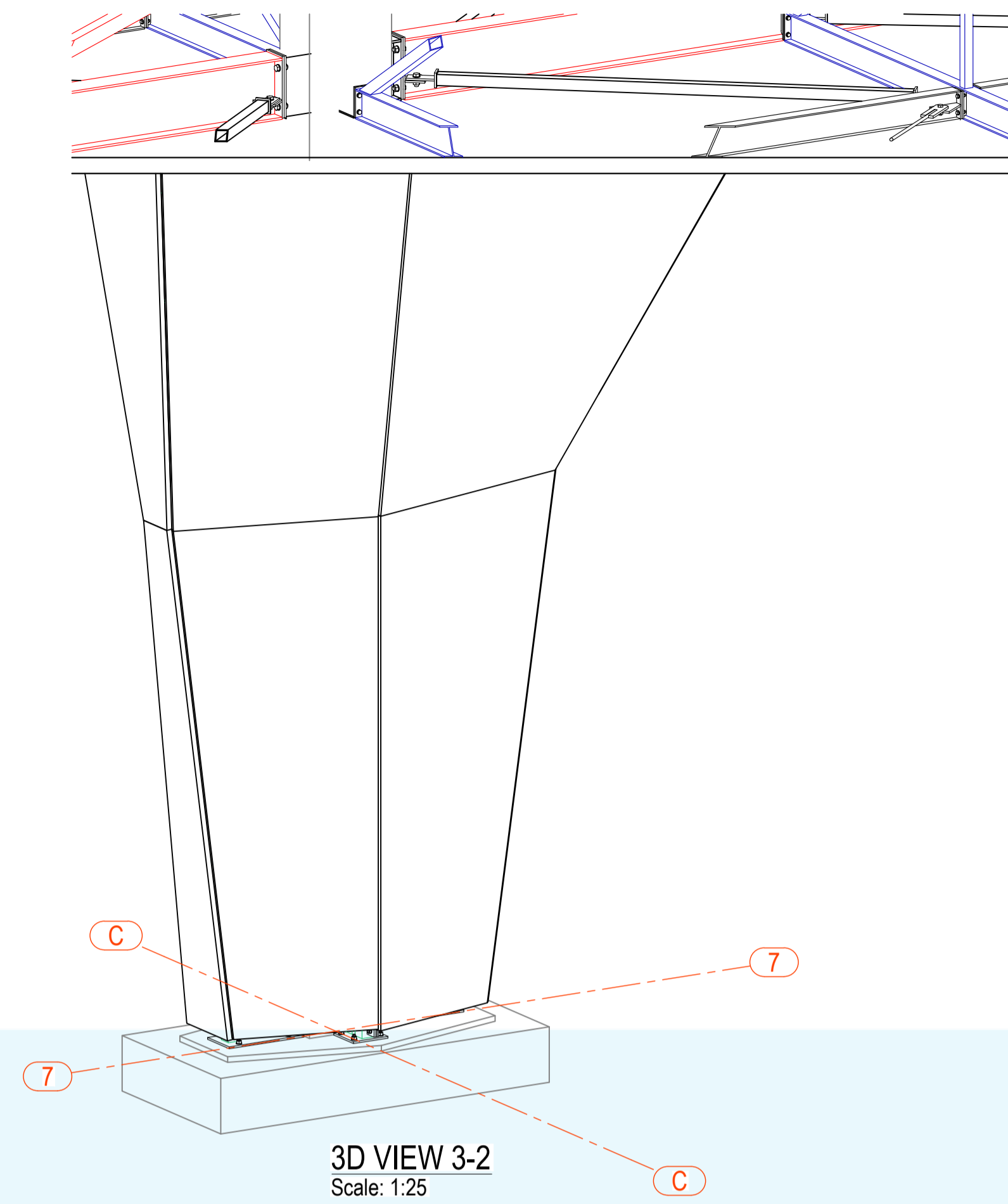
3D VIEW 1  
Scale: 1:40



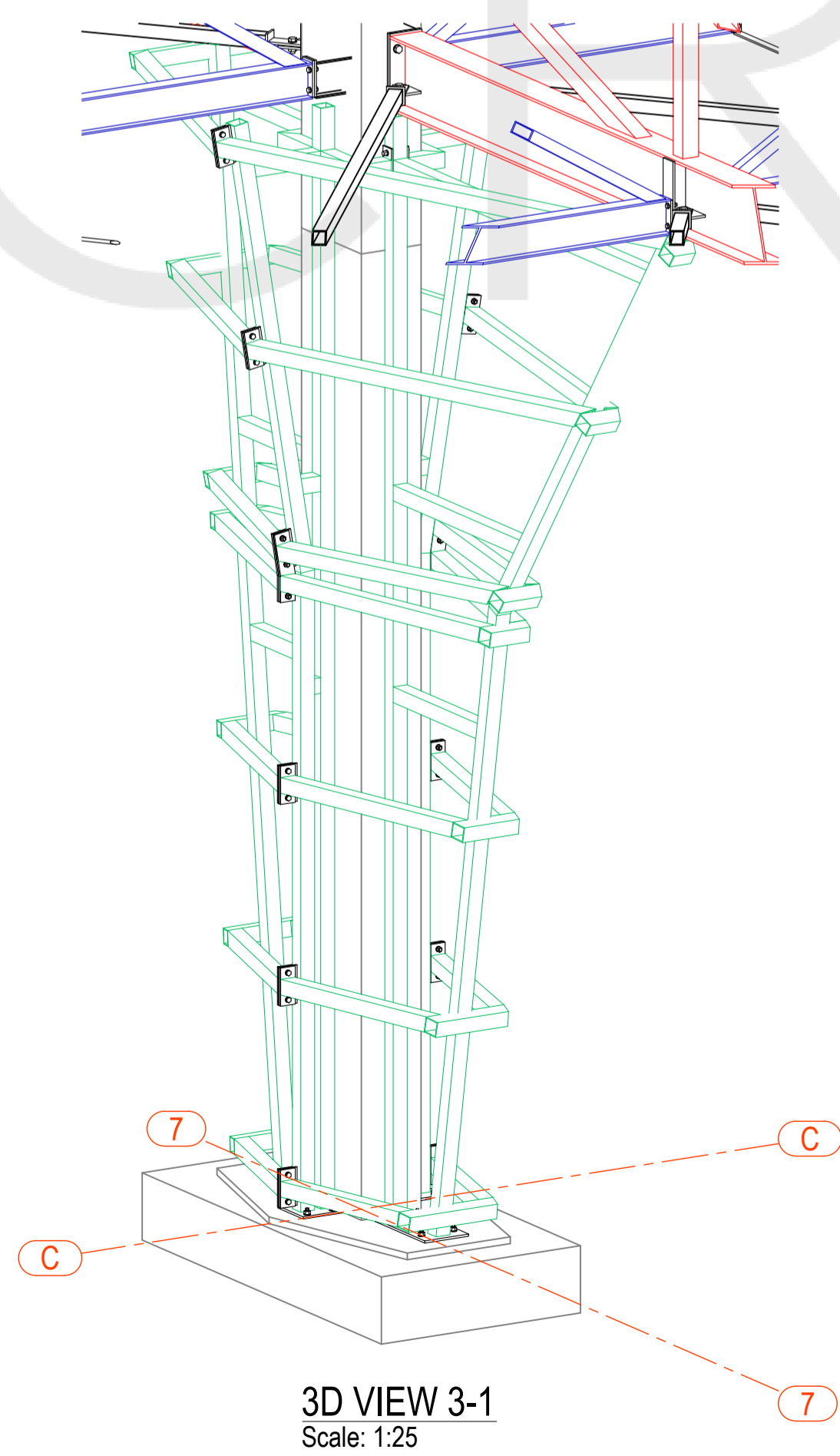
3D VIEW 2  
Scale: 1:40



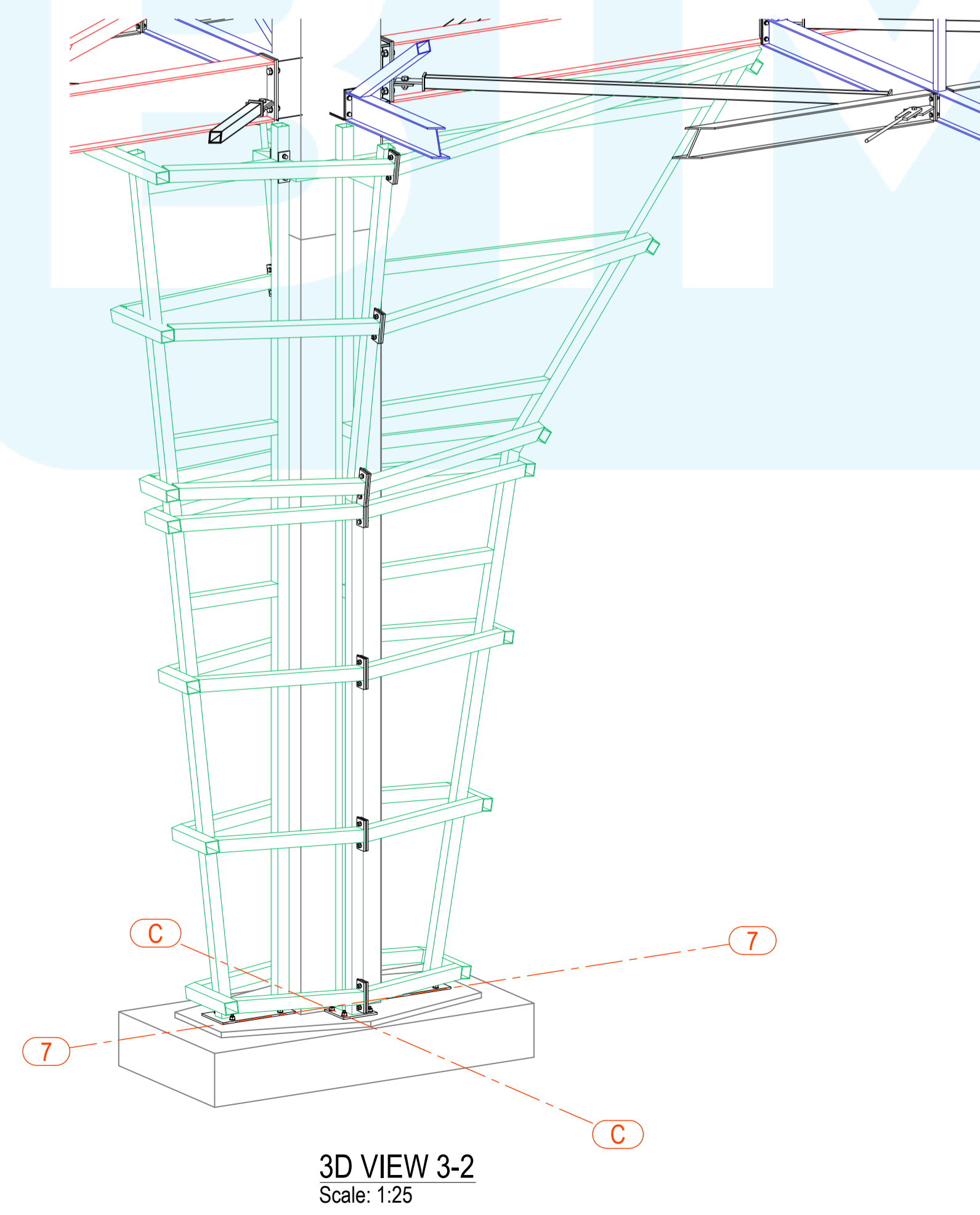
3D VIEW 3-1  
Scale: 1:25



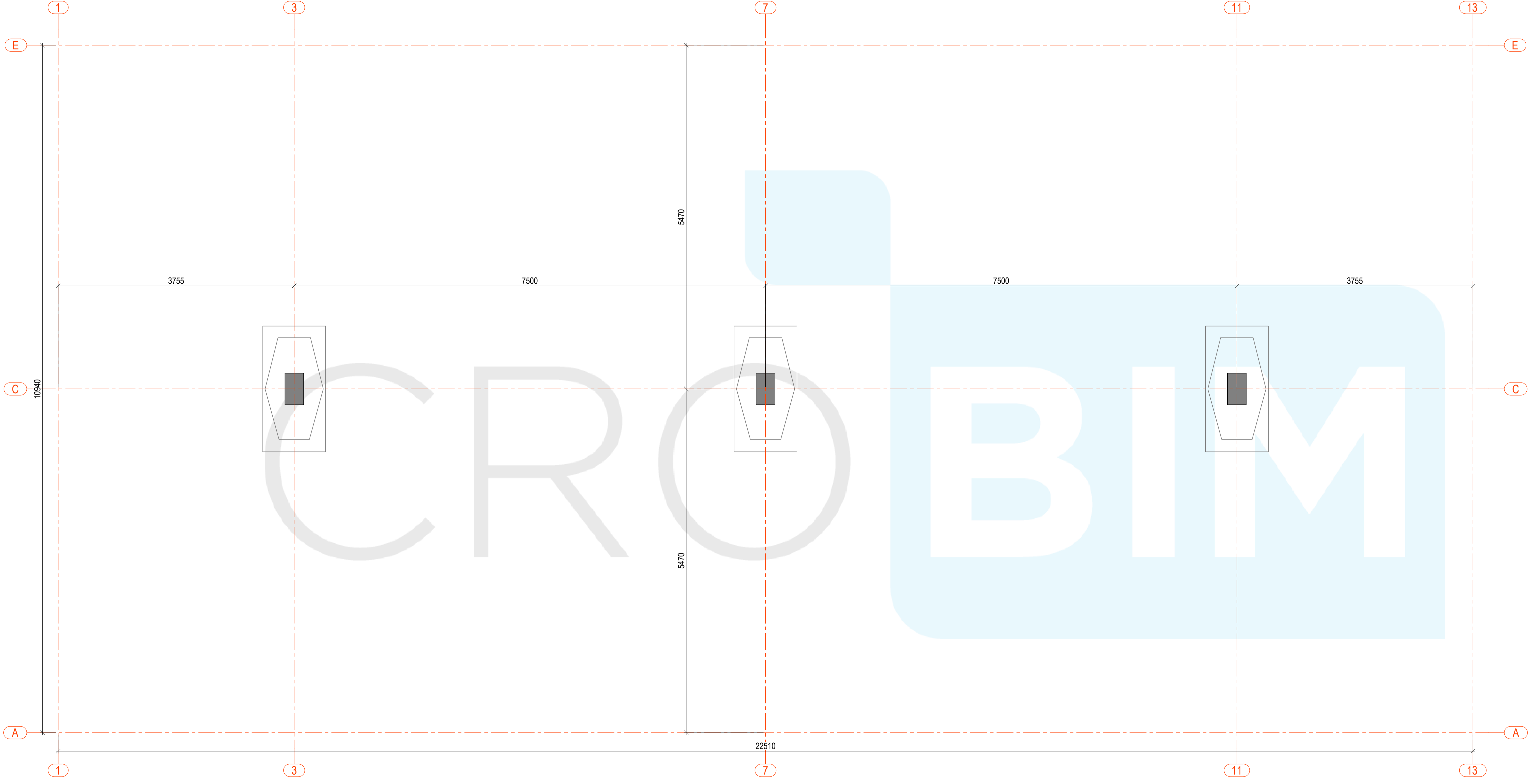
3D VIEW 3-2  
Scale: 1:25

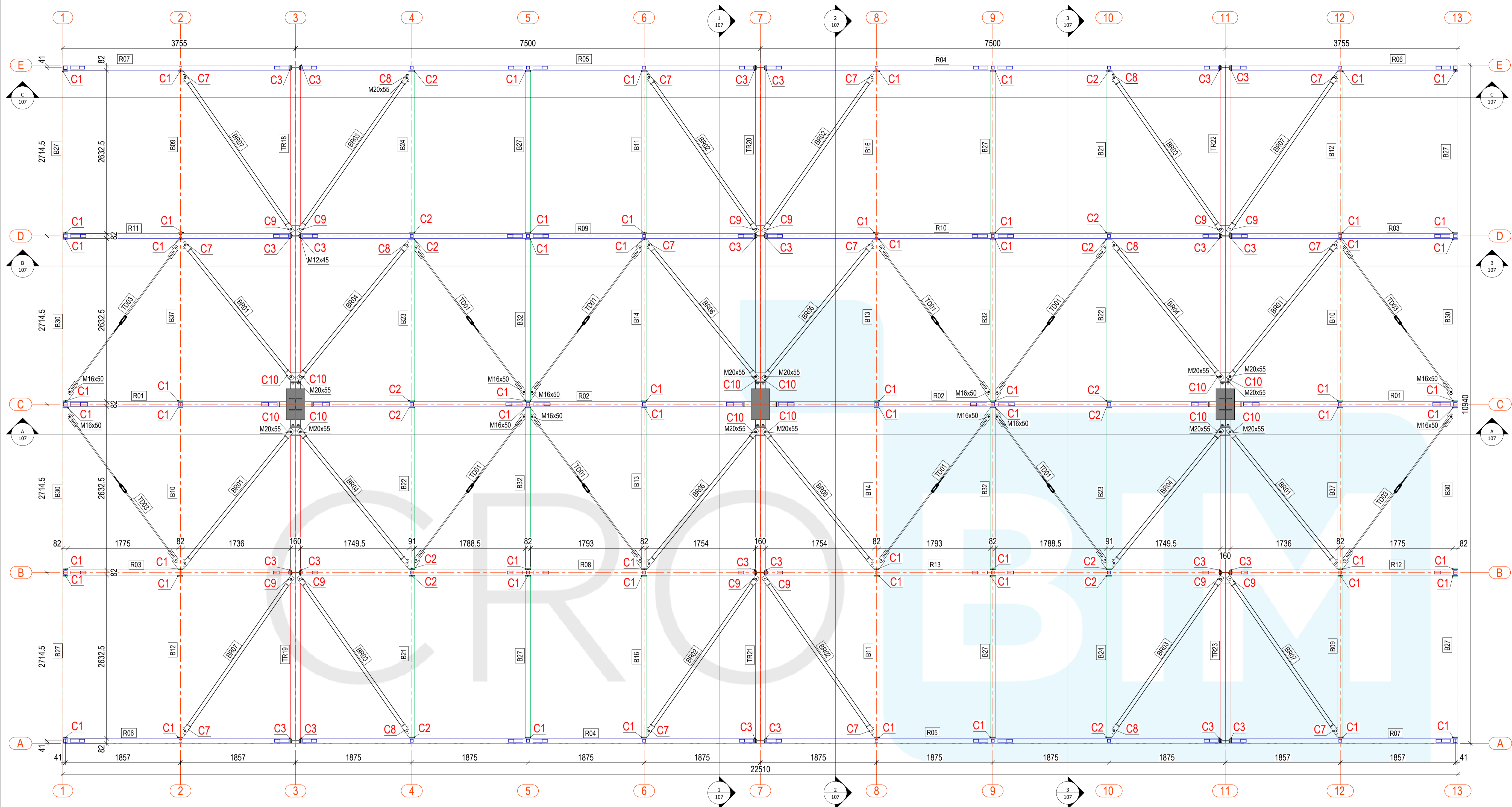


3D VIEW 3-1  
Scale: 1:25

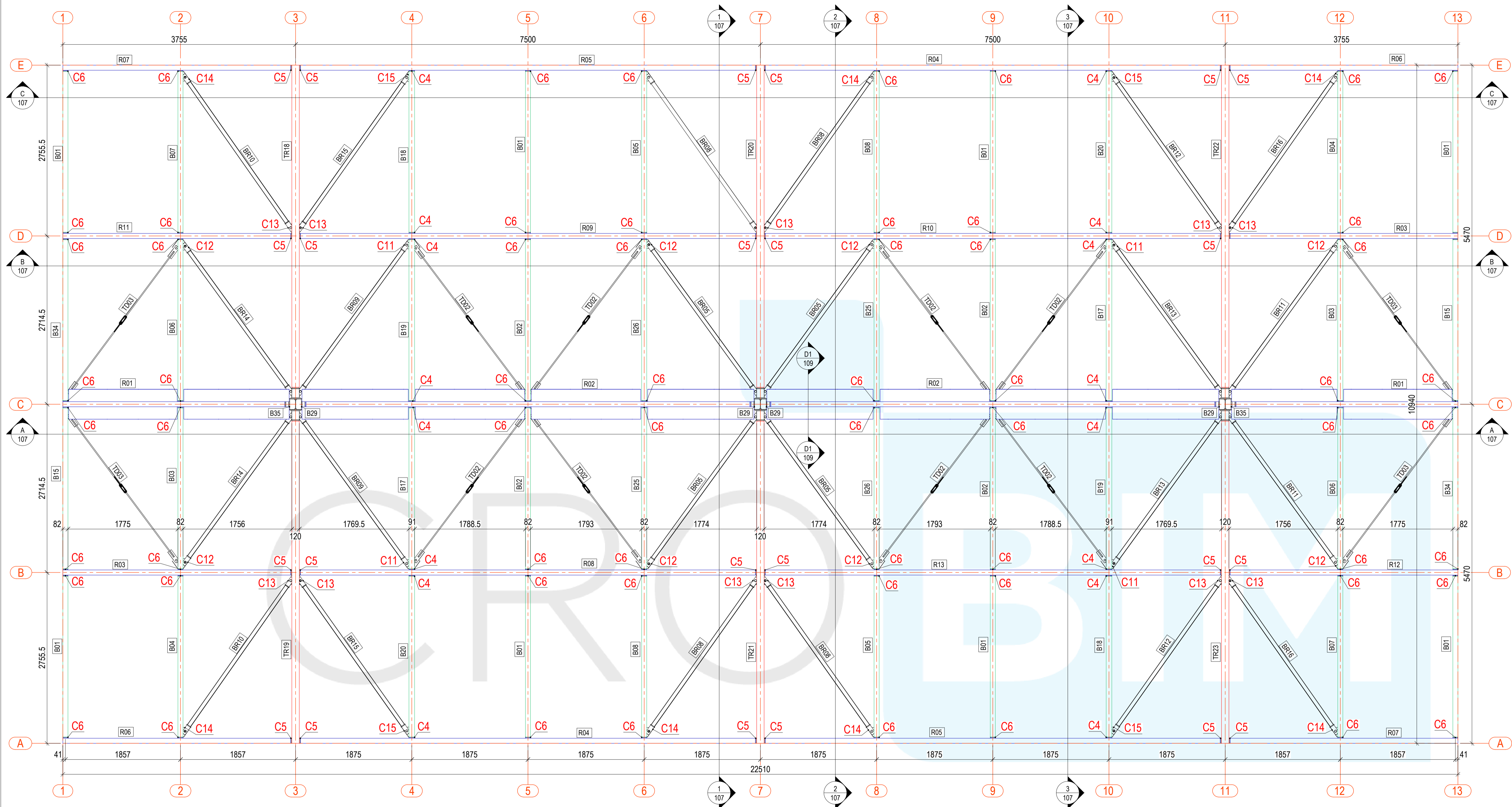


3D VIEW 3-2  
Scale: 1:25

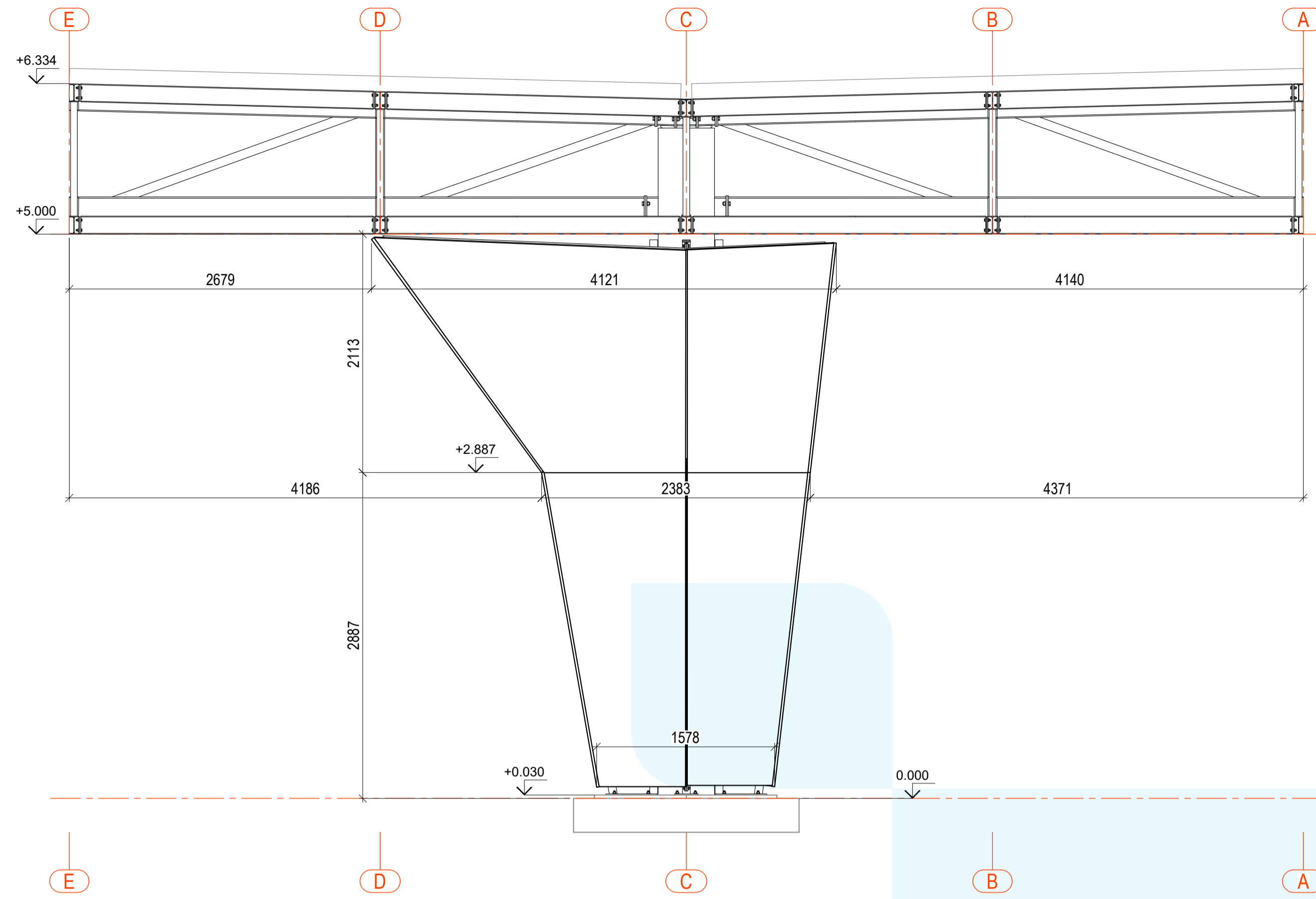




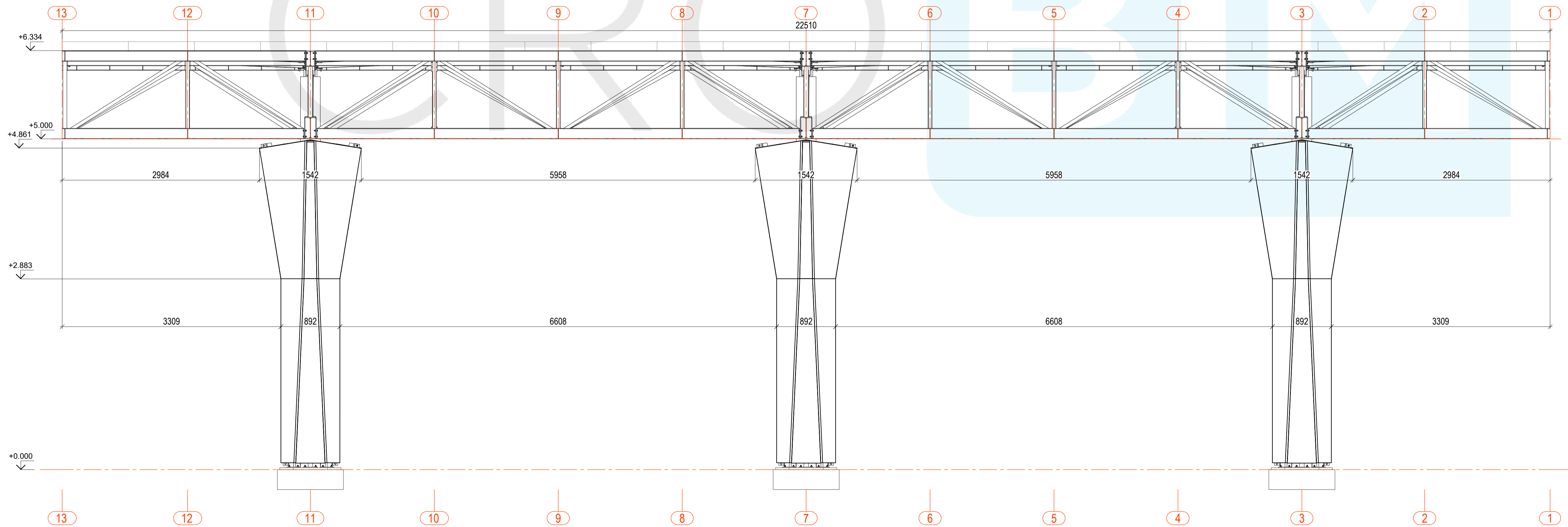
ELEVATION +5.00  
Scale: 1:33 1/3



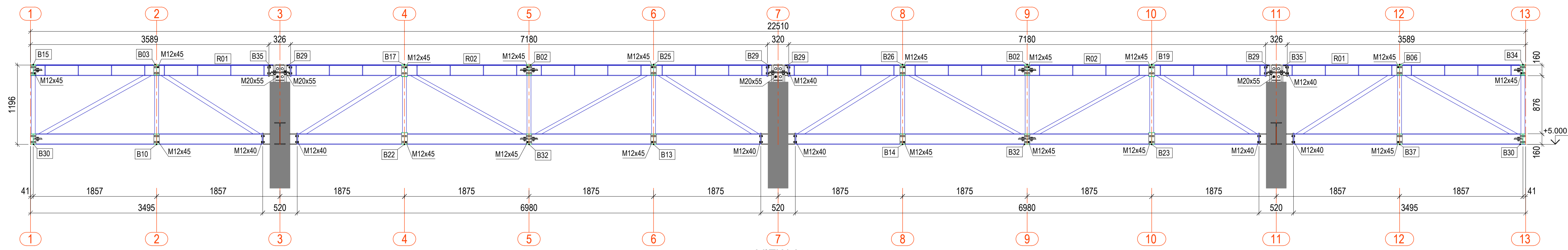
ROOF PLAN  
Scale: 1:33 1/3



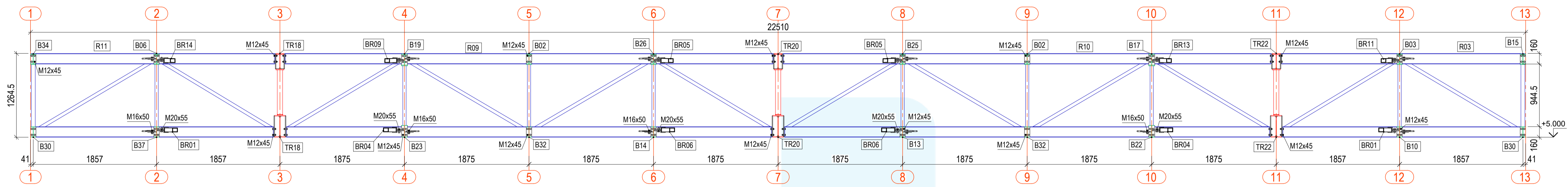
FRONT VIEW  
Scale: 1:33 1/3



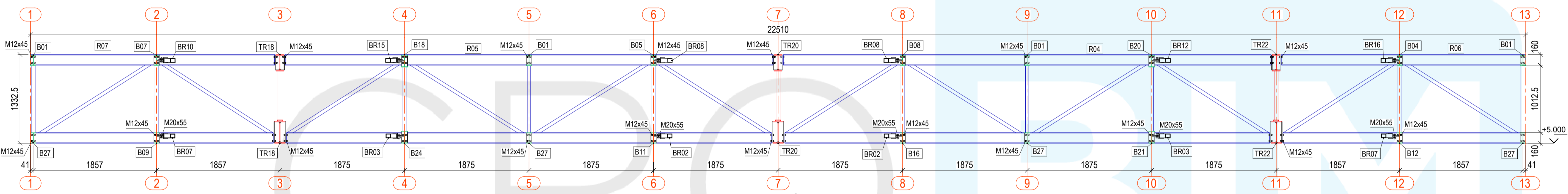
SIDE VIEW  
Scale: 1:33 1/3



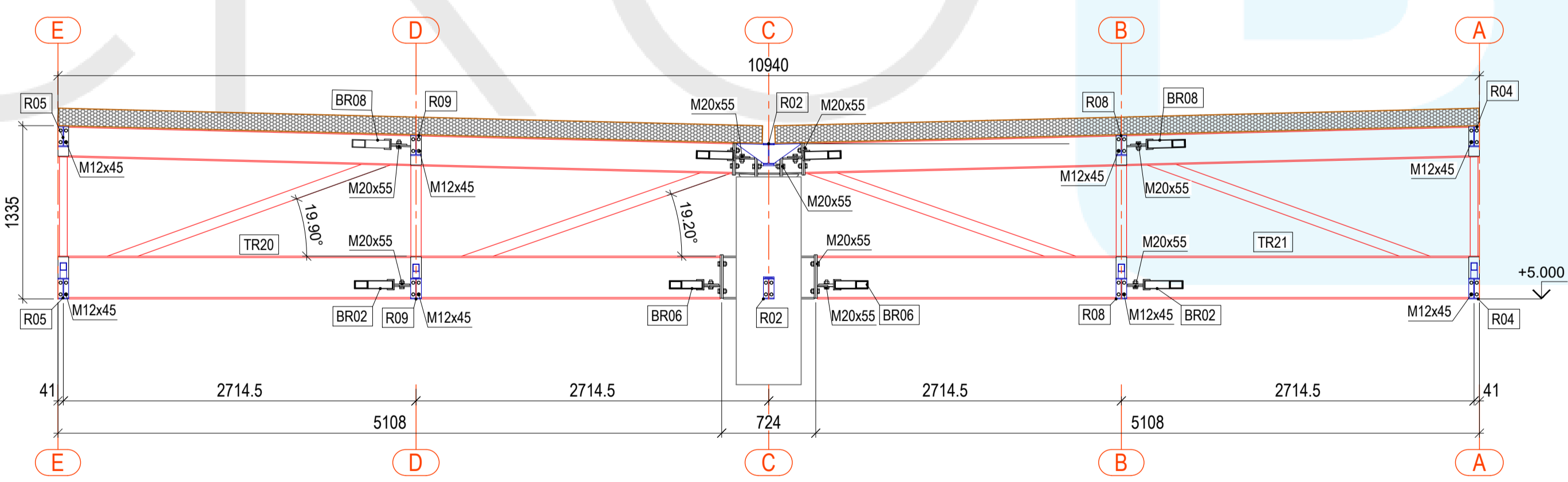
VIEW A  
Scale: 1:33 1/3



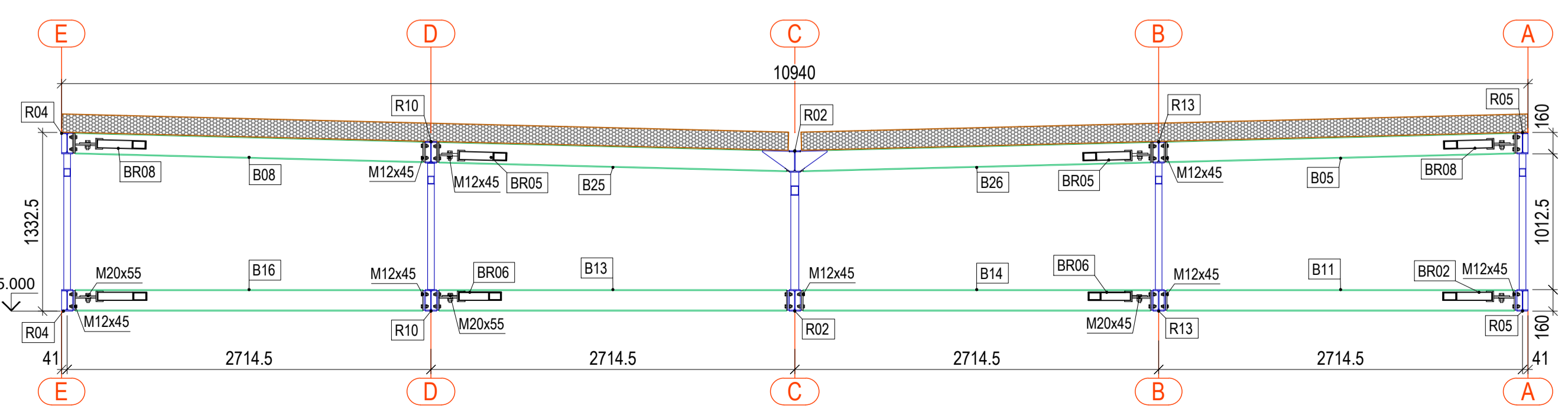
VIEW B  
Scale: 1:33 1/3



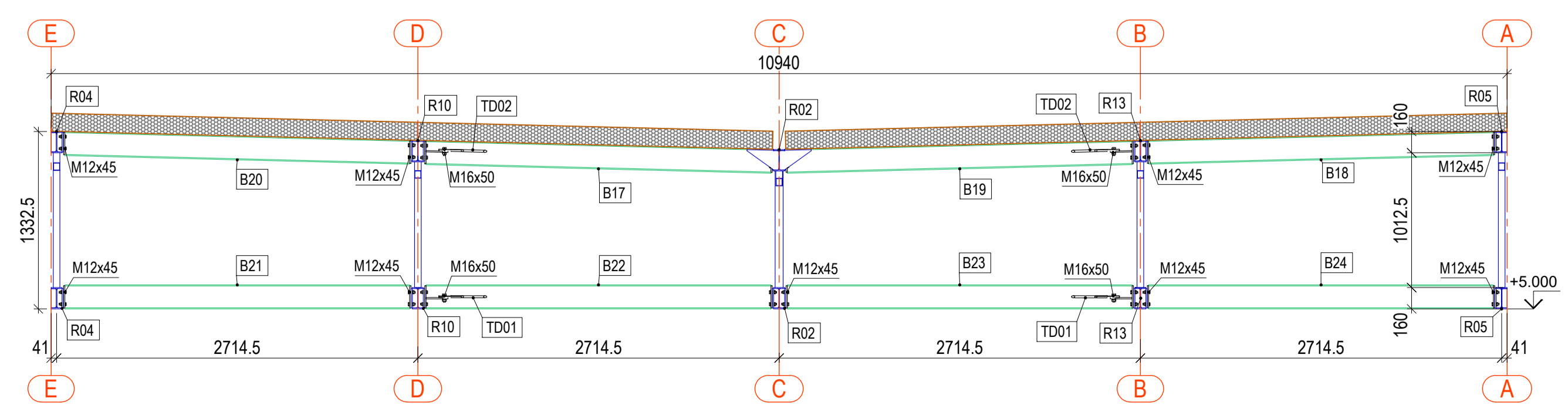
VIEW C  
Scale: 1:33 1/3



VIEW 1  
Scale: 1:33 1/3

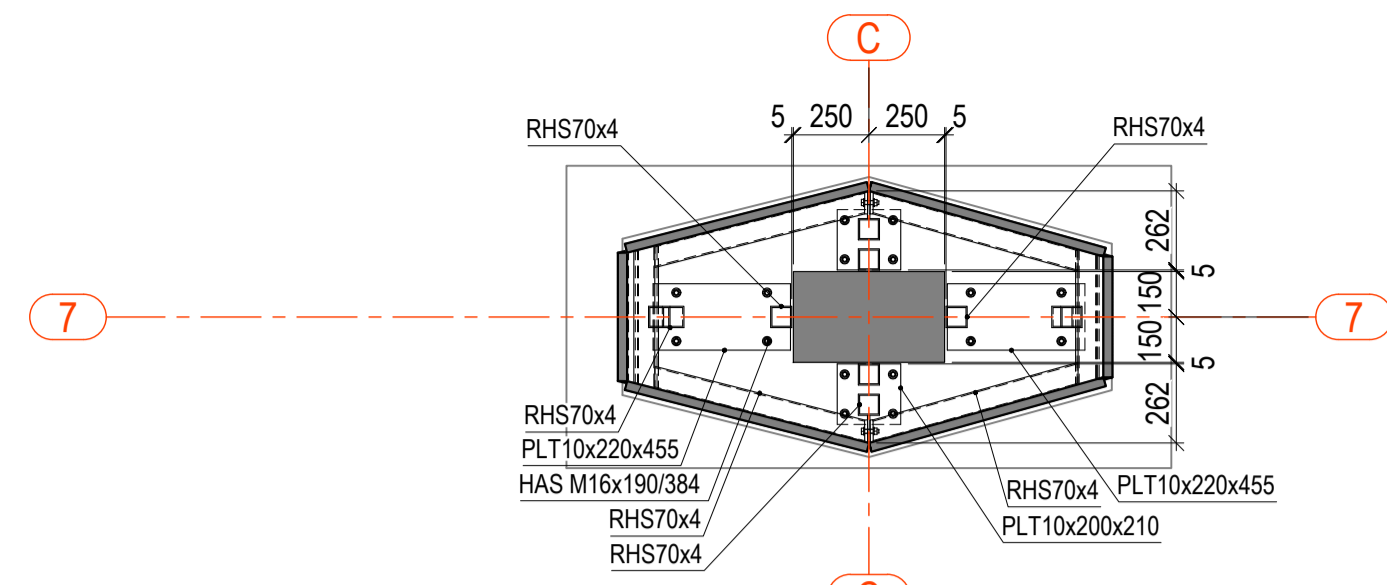


VIEW 2  
Scale: 1:33 1/3

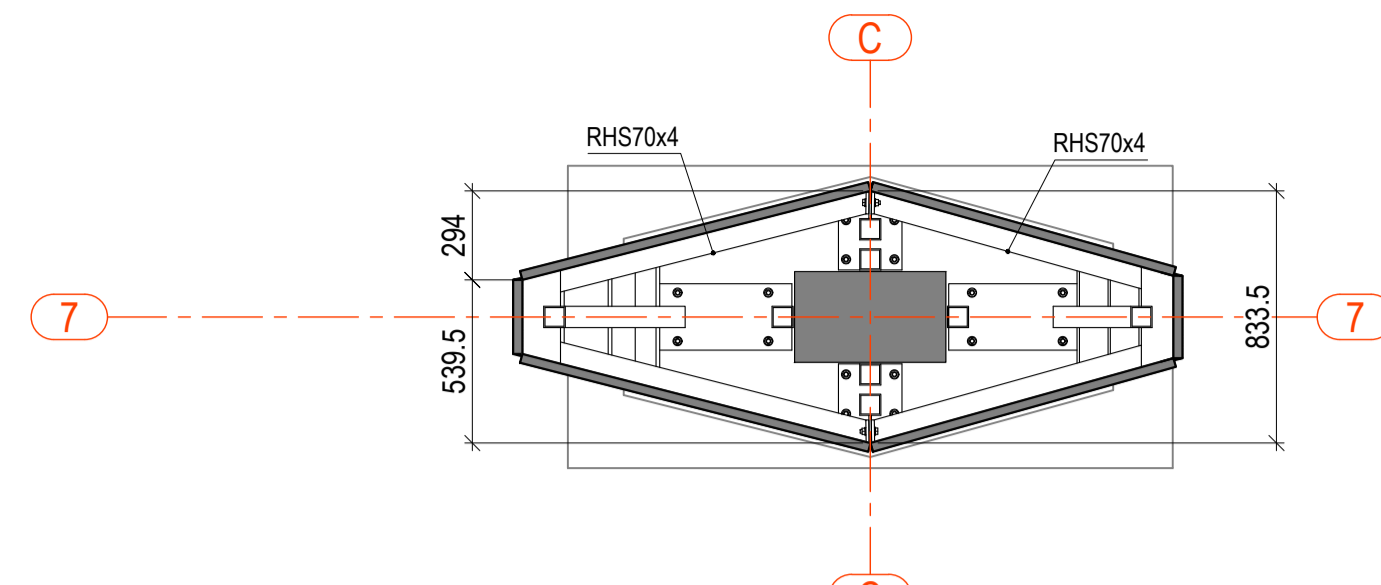


VIEW 3  
Scale: 1:33 1/3

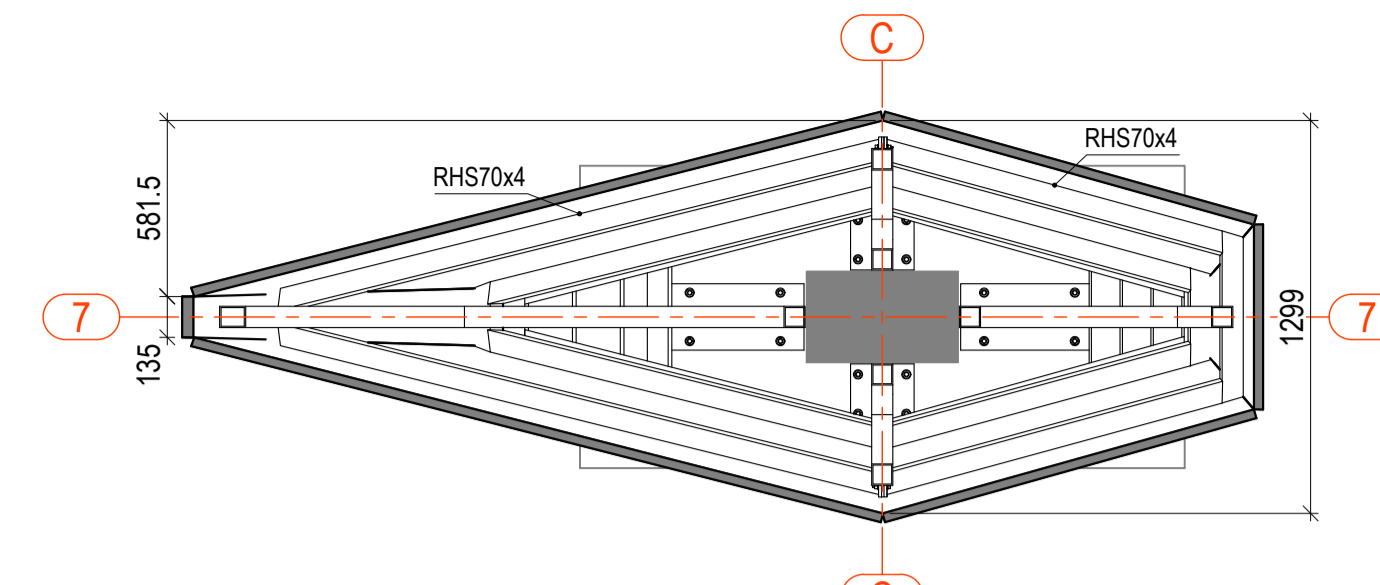




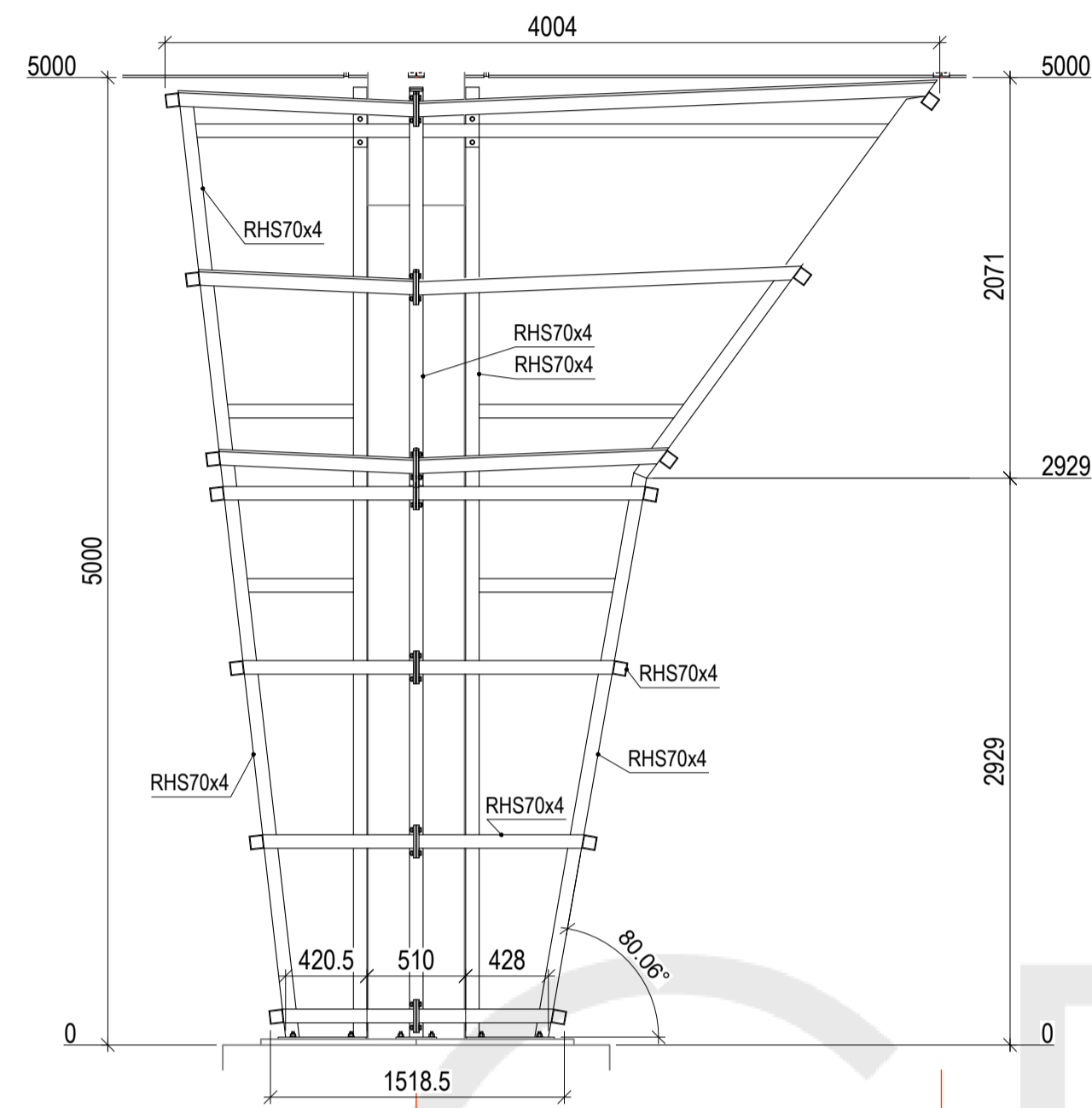
**PLAN AT +300**  
Scale: 1:25



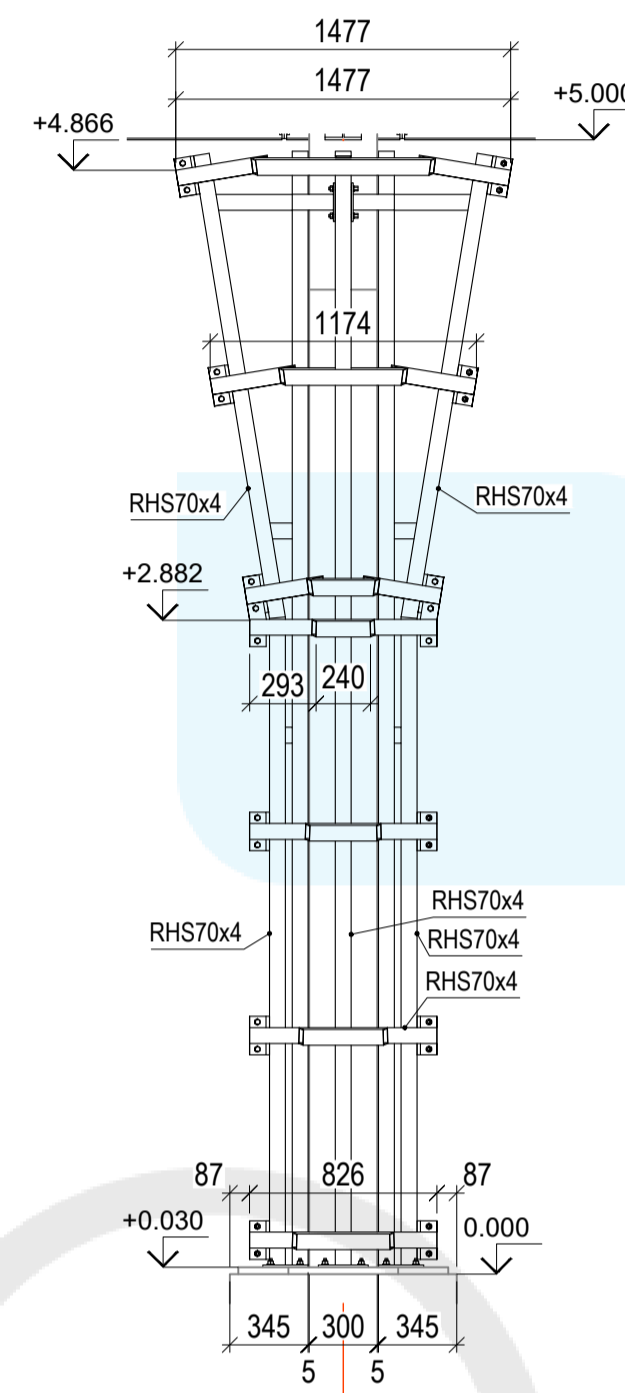
**PLAN AT +2000**  
Scale: 1:25



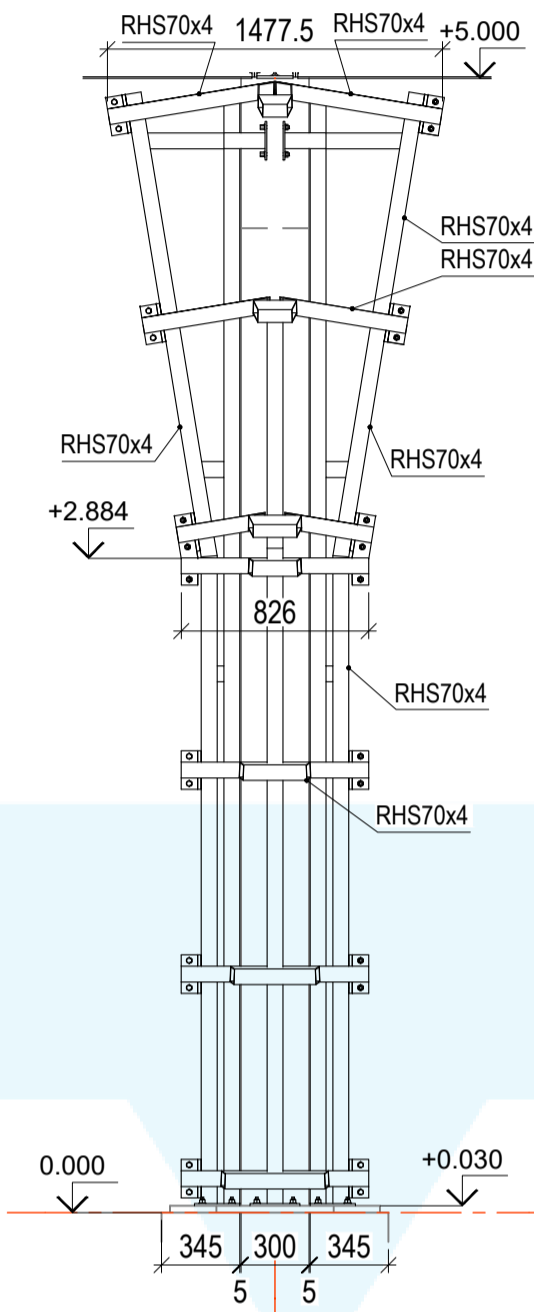
**PLAN AT +4000**  
Scale: 1:25



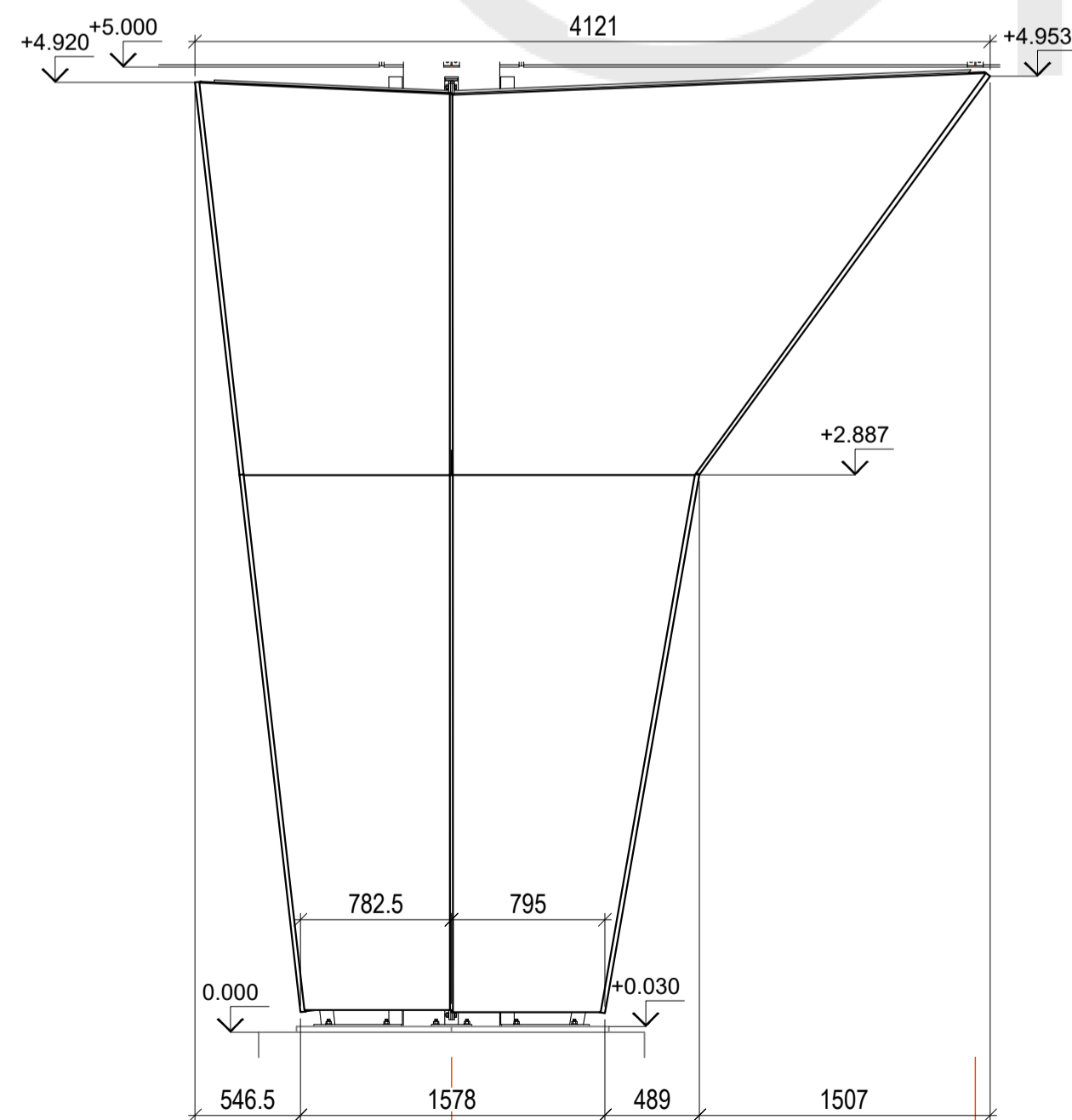
**POGLED 1**  
Scale: 1:33 1/3



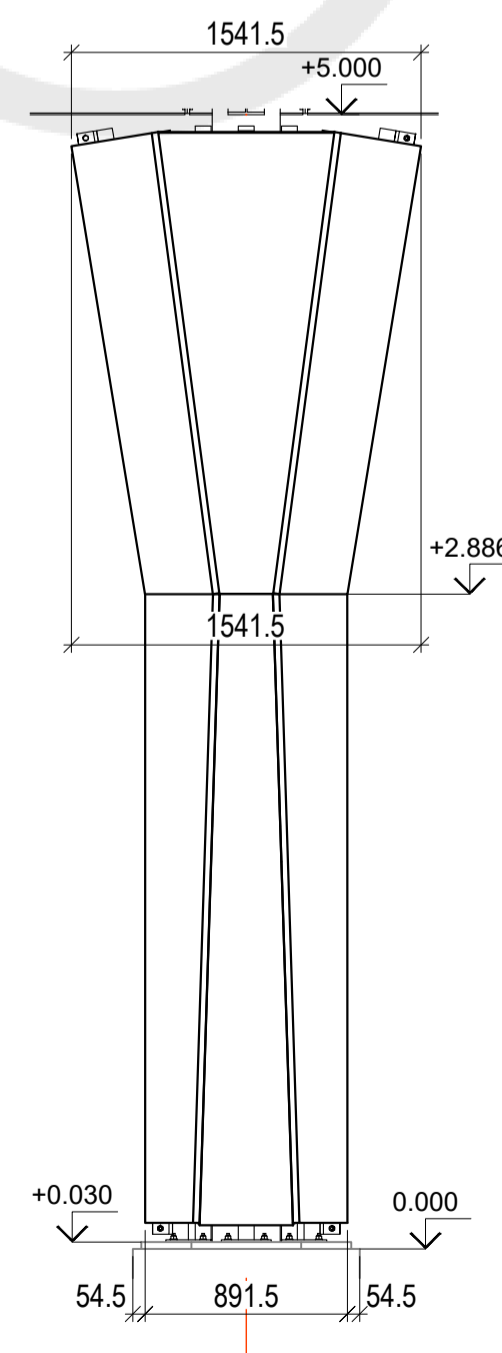
**POGLED 2**  
Scale: 1:33 1/3



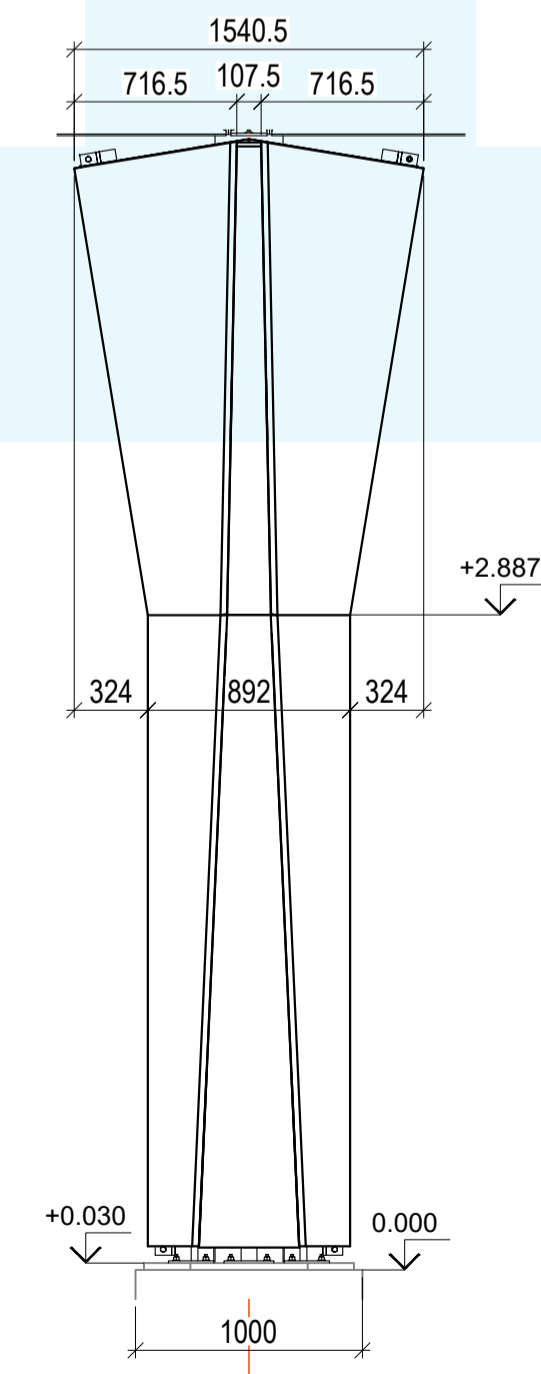
**POGLED 3**  
Scale: 1:33 1/3



**POGLED 1**  
Scale: 1:33 1/3



**POGLED 2**  
Scale: 1:33 1/3



**POGLED 3**  
Scale: 1:33 1/3

