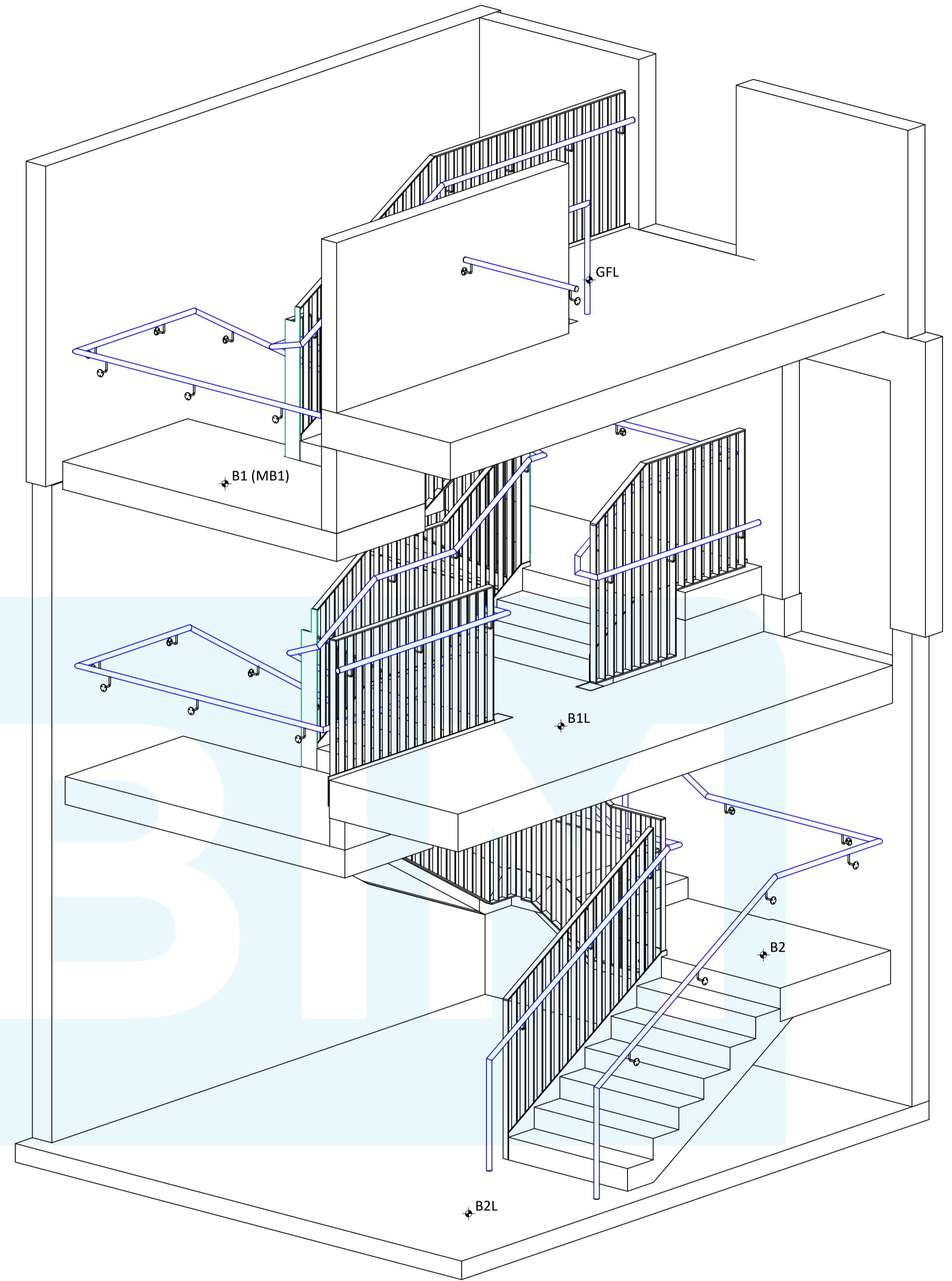
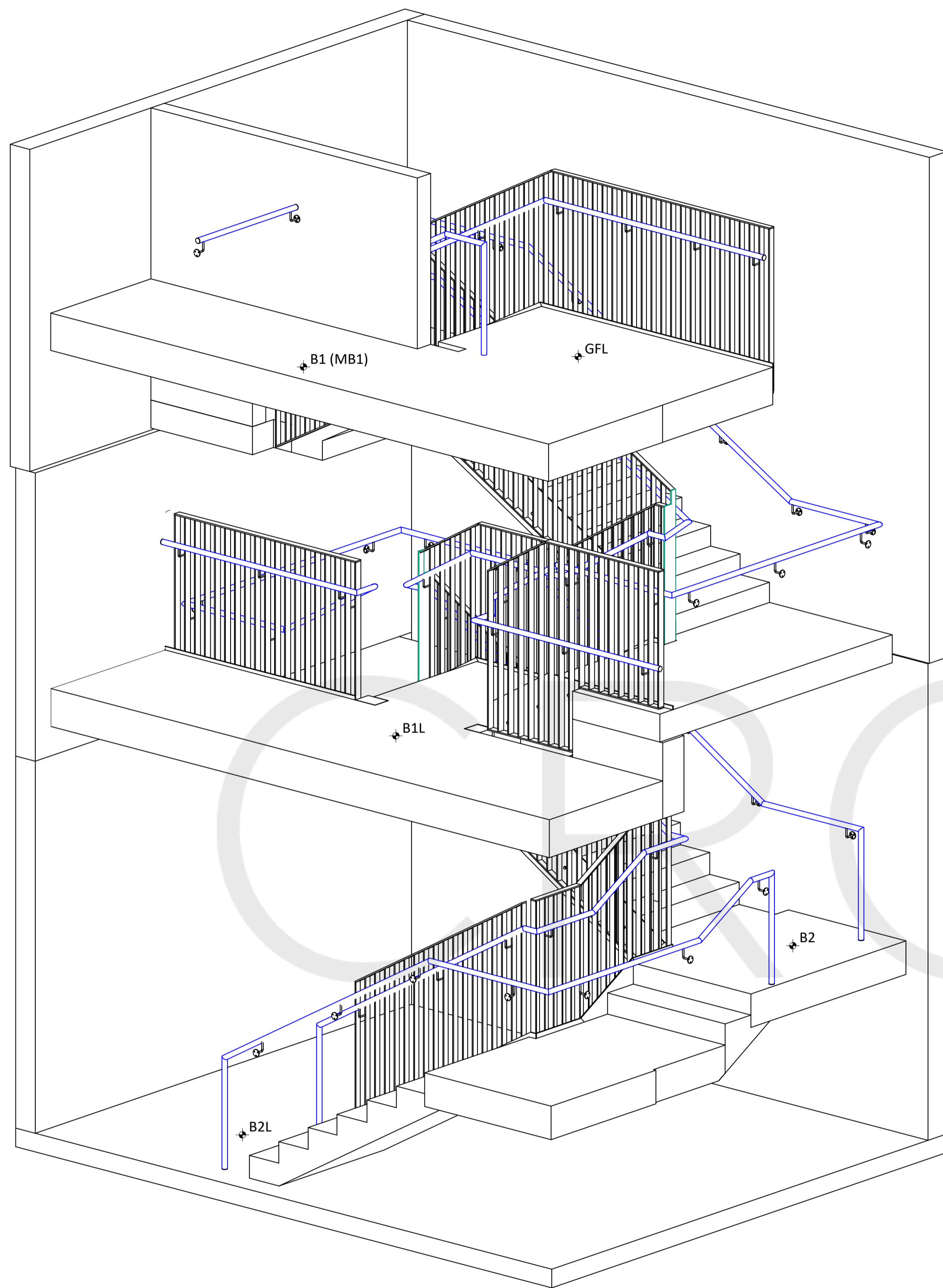


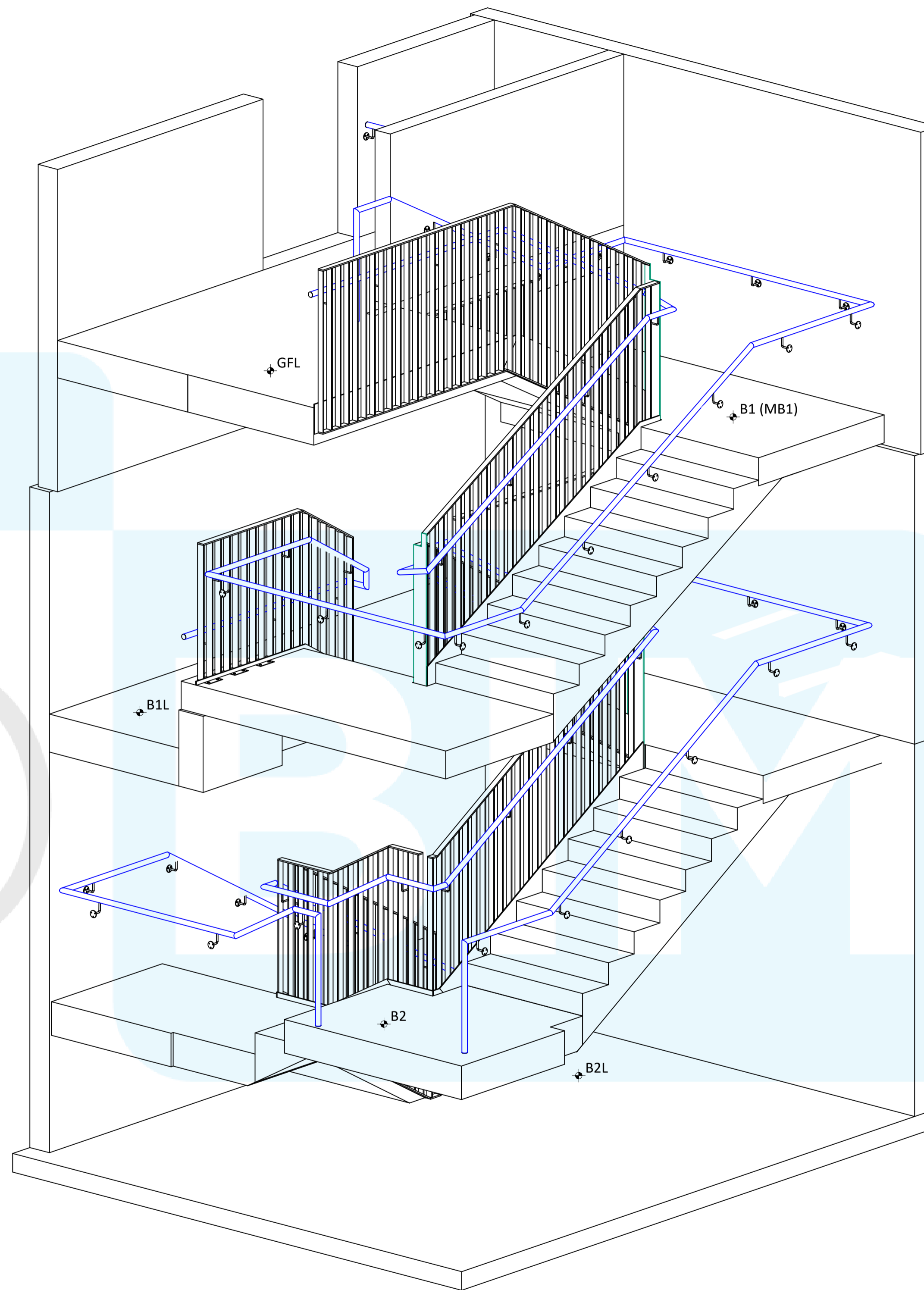
3D VIEW 1 - STAIR TYPE 2
Scale: 1:25



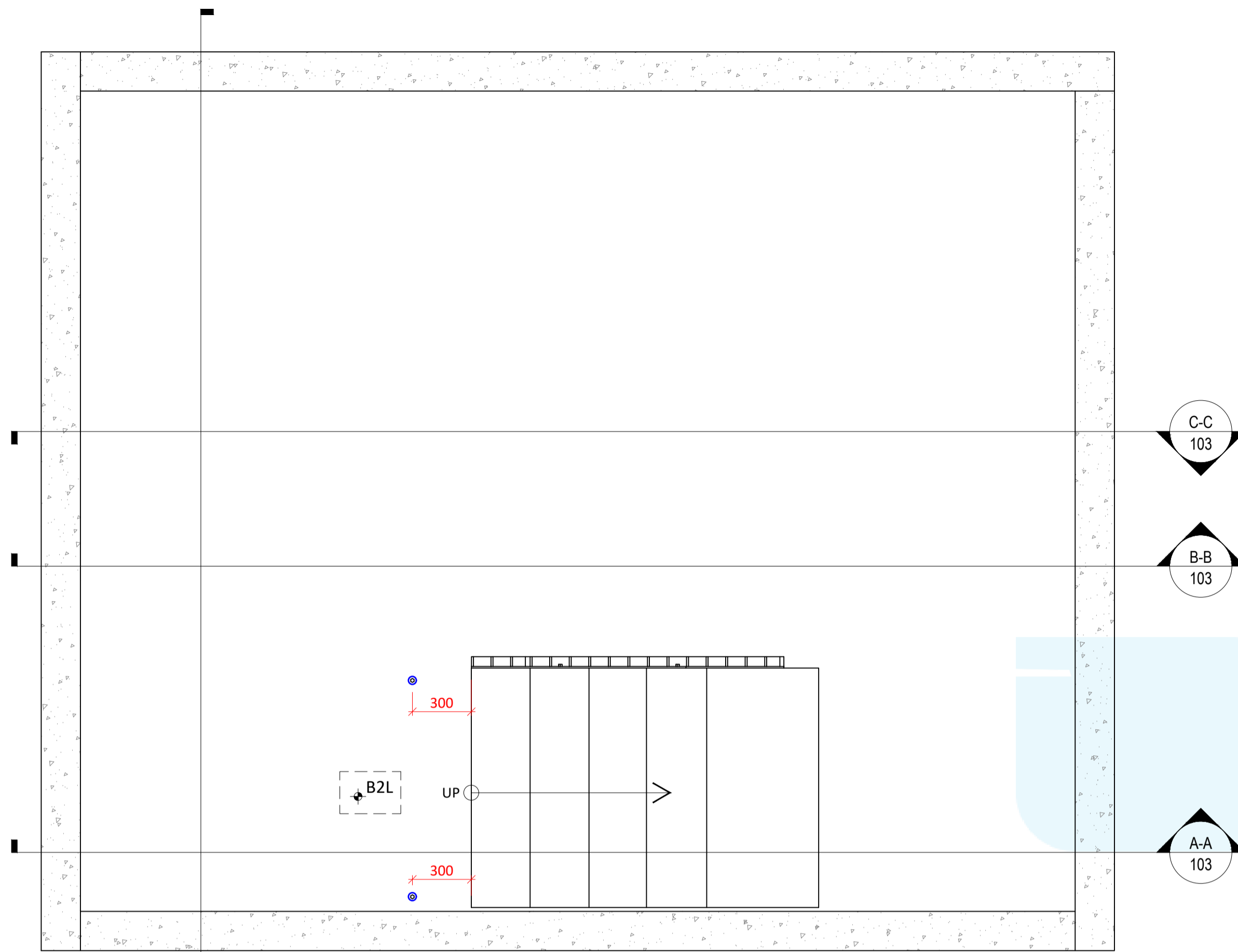
3D VIEW 2 - STAIR TYPE 2
Scale: 1:25



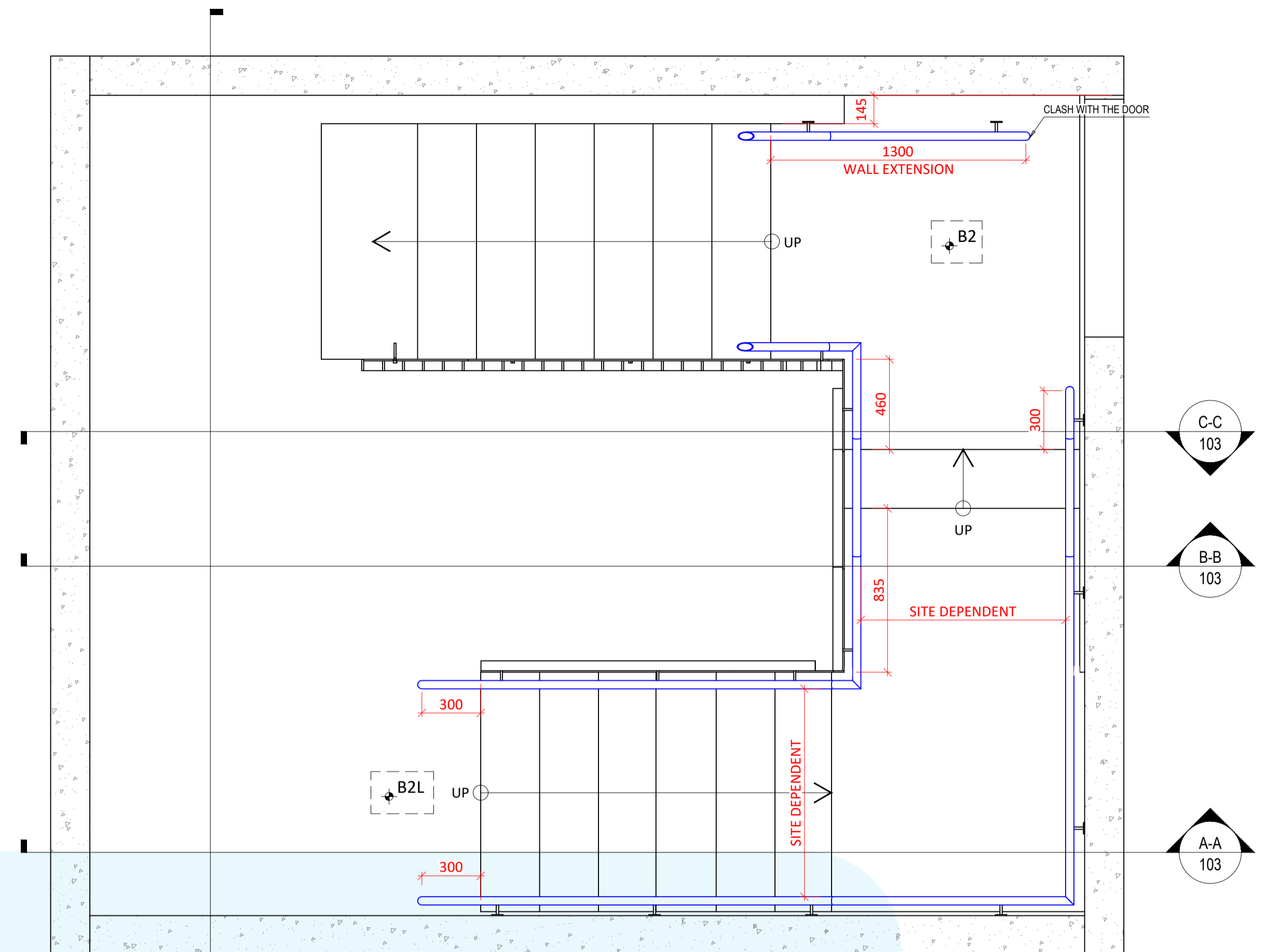
3D VIEW 3 - STAIR TYPE 2
Scale: 1:25



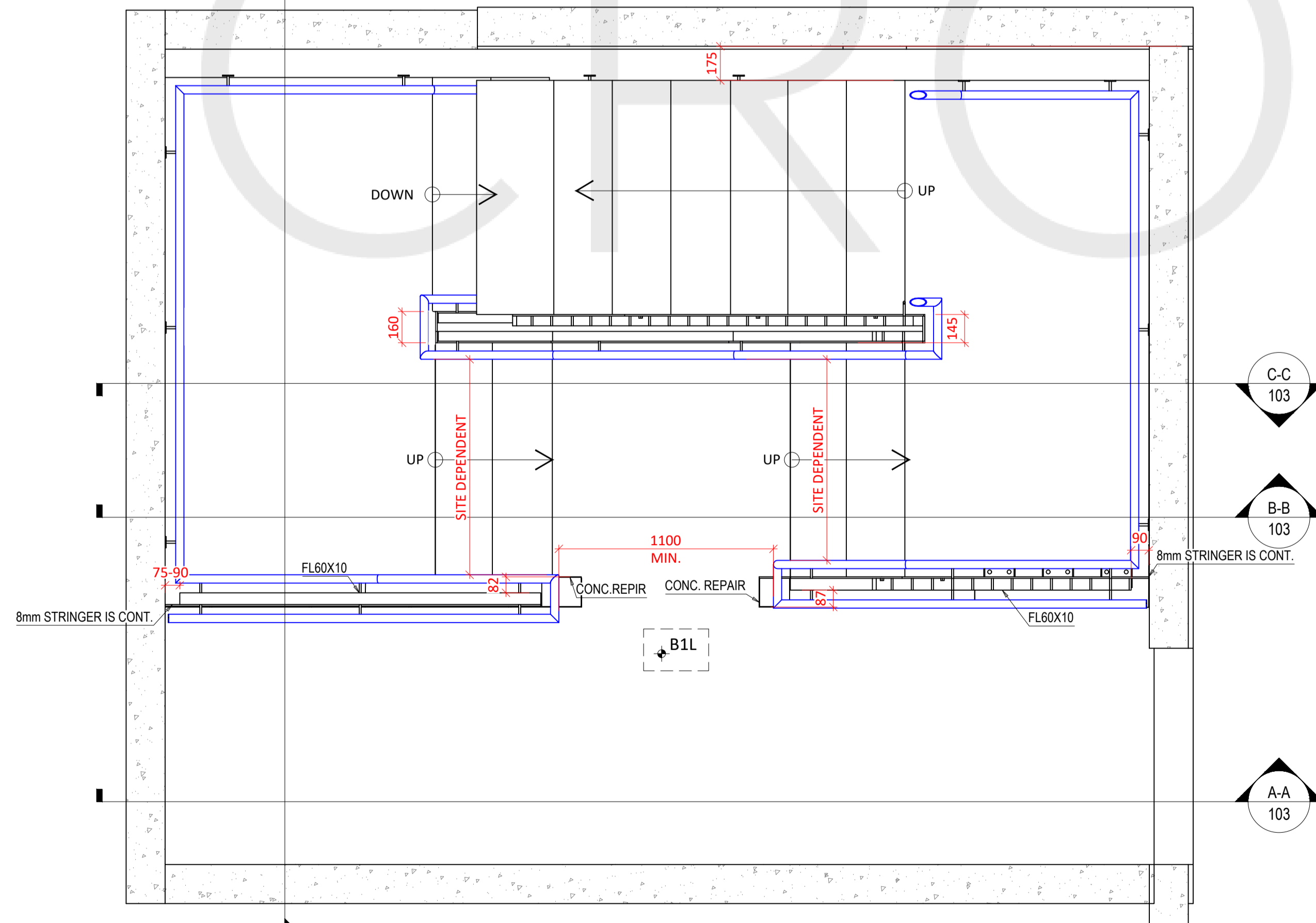
3D VIEW 4 - STAIR TYPE 2
Scale: 1:25



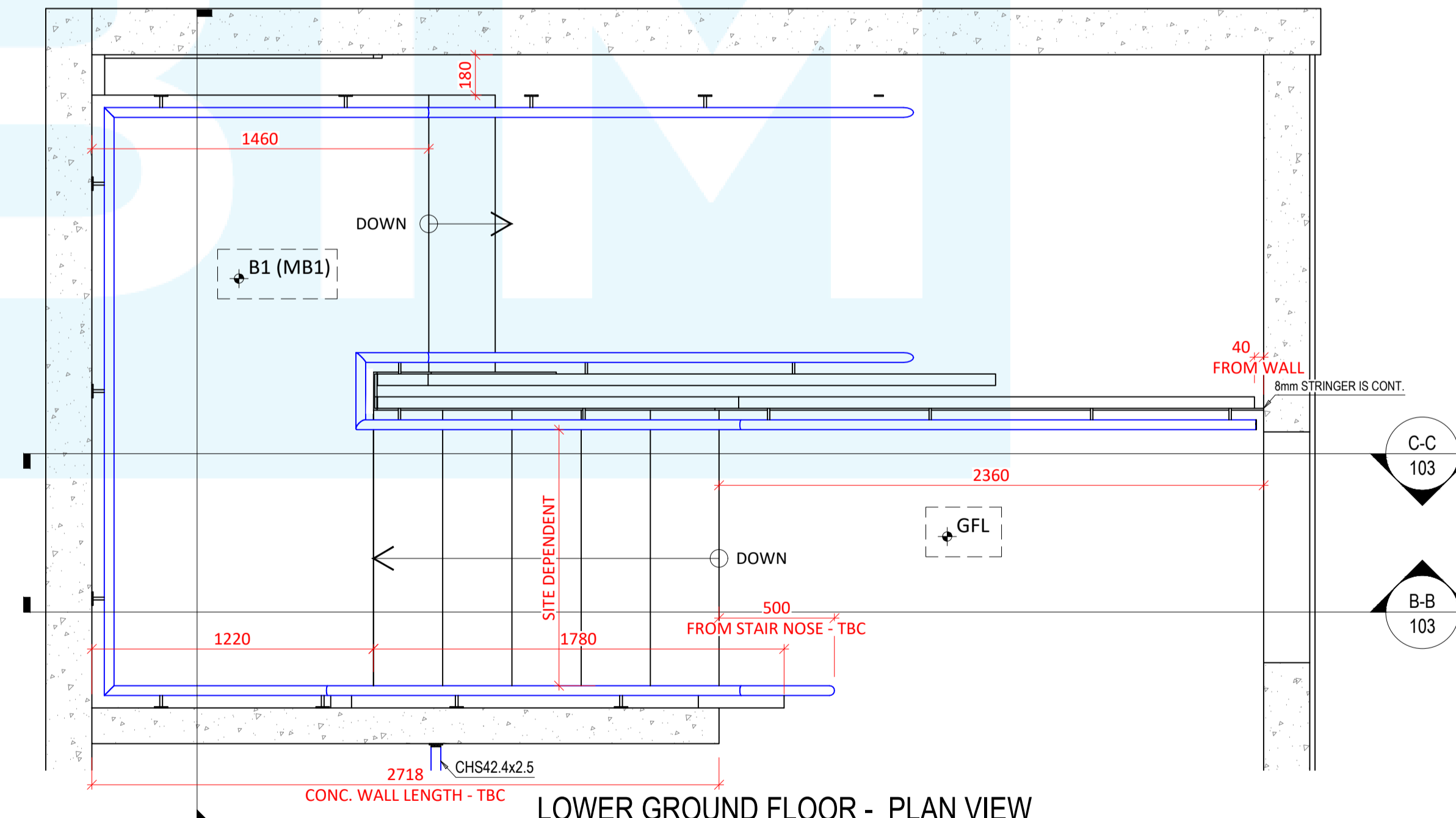
BASMENT 2 LOWER - PLAN VIEW
Scale: 1:20



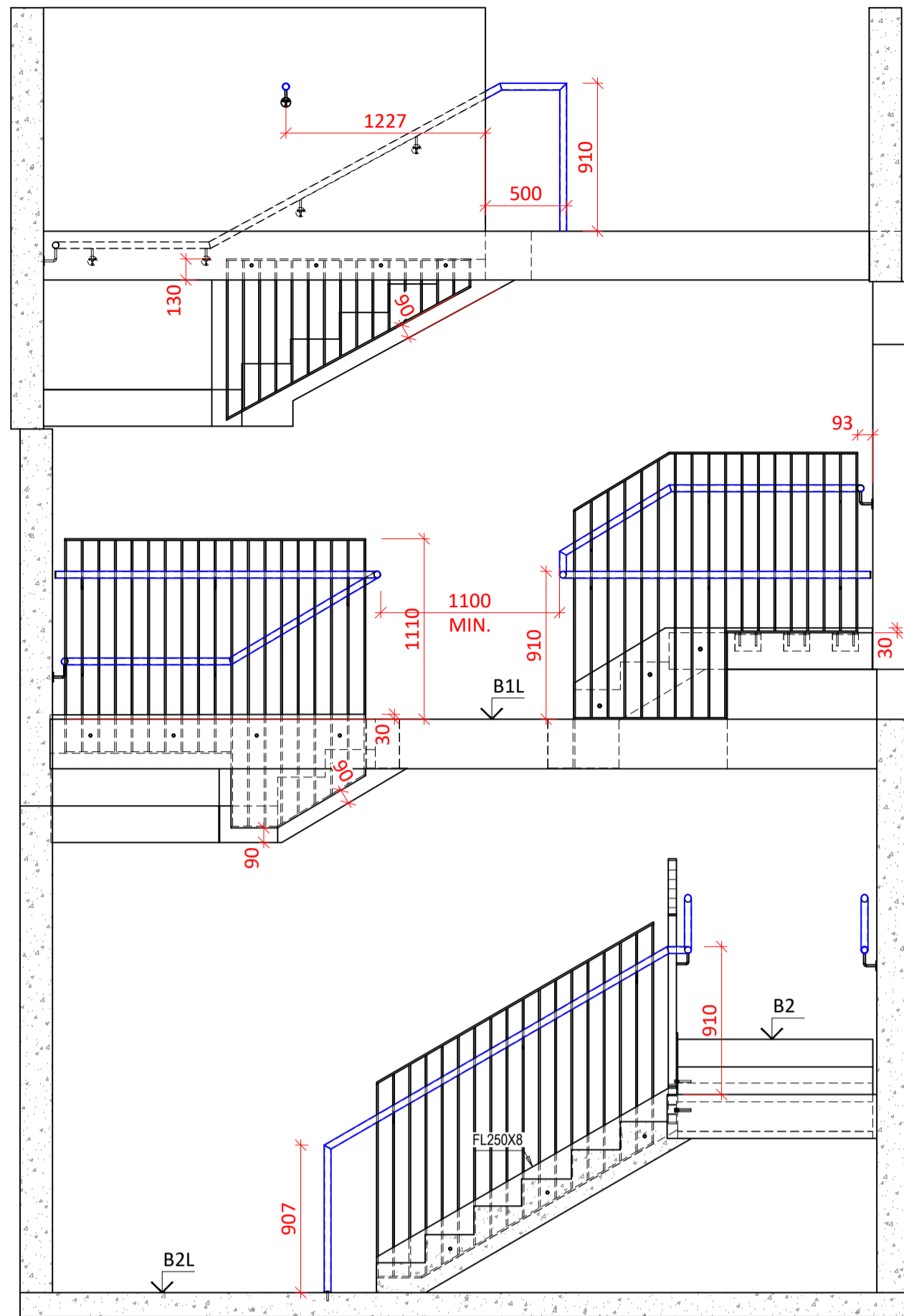
BASMENT 2 UPPER - PLAN VIEW
Scale: 1:20



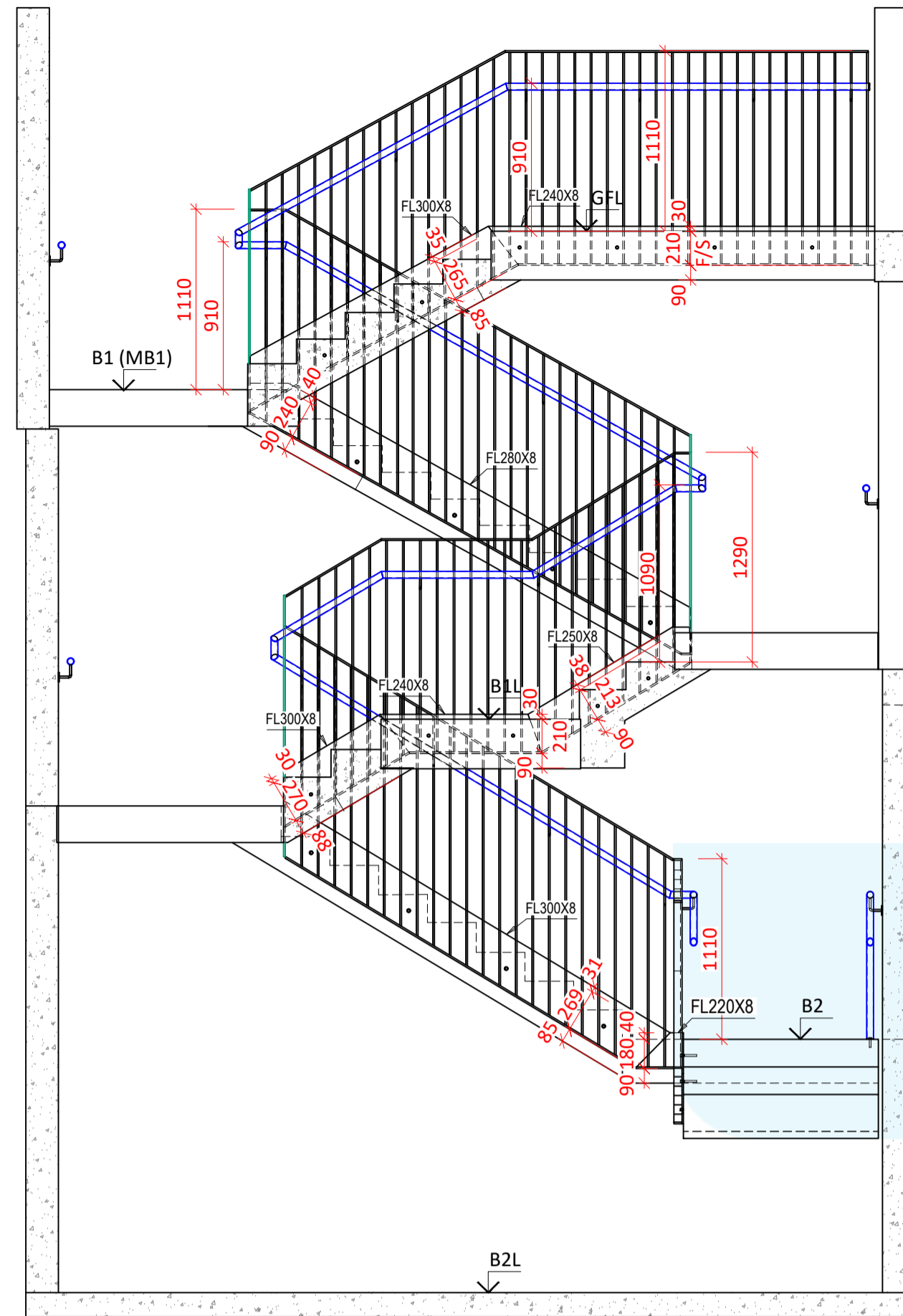
BASMENT 1 LOWER - PLAN VIEW
Scale: 1:20



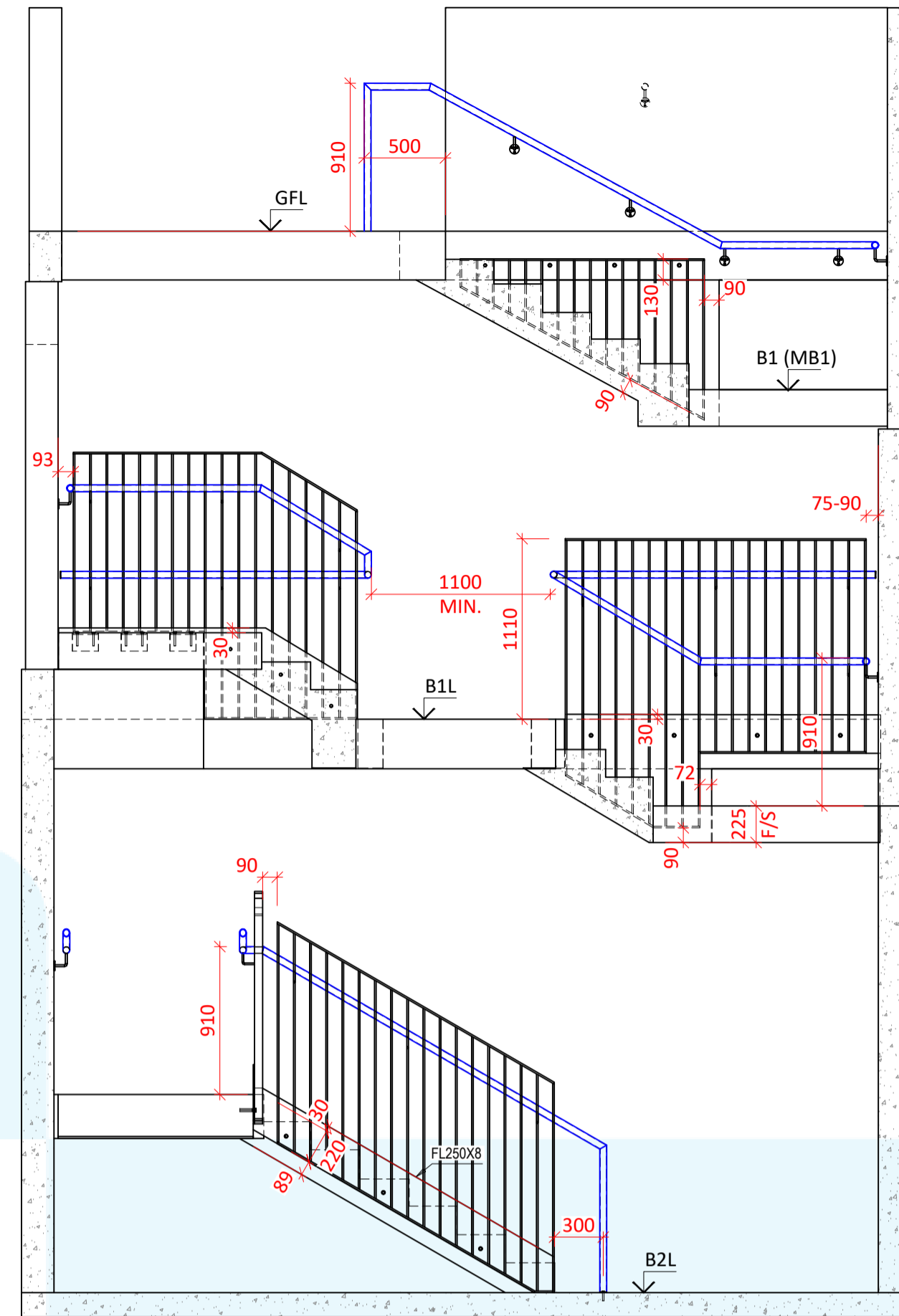
LOWER GROUND FLOOR - PLAN VIEW
Scale: 1:20



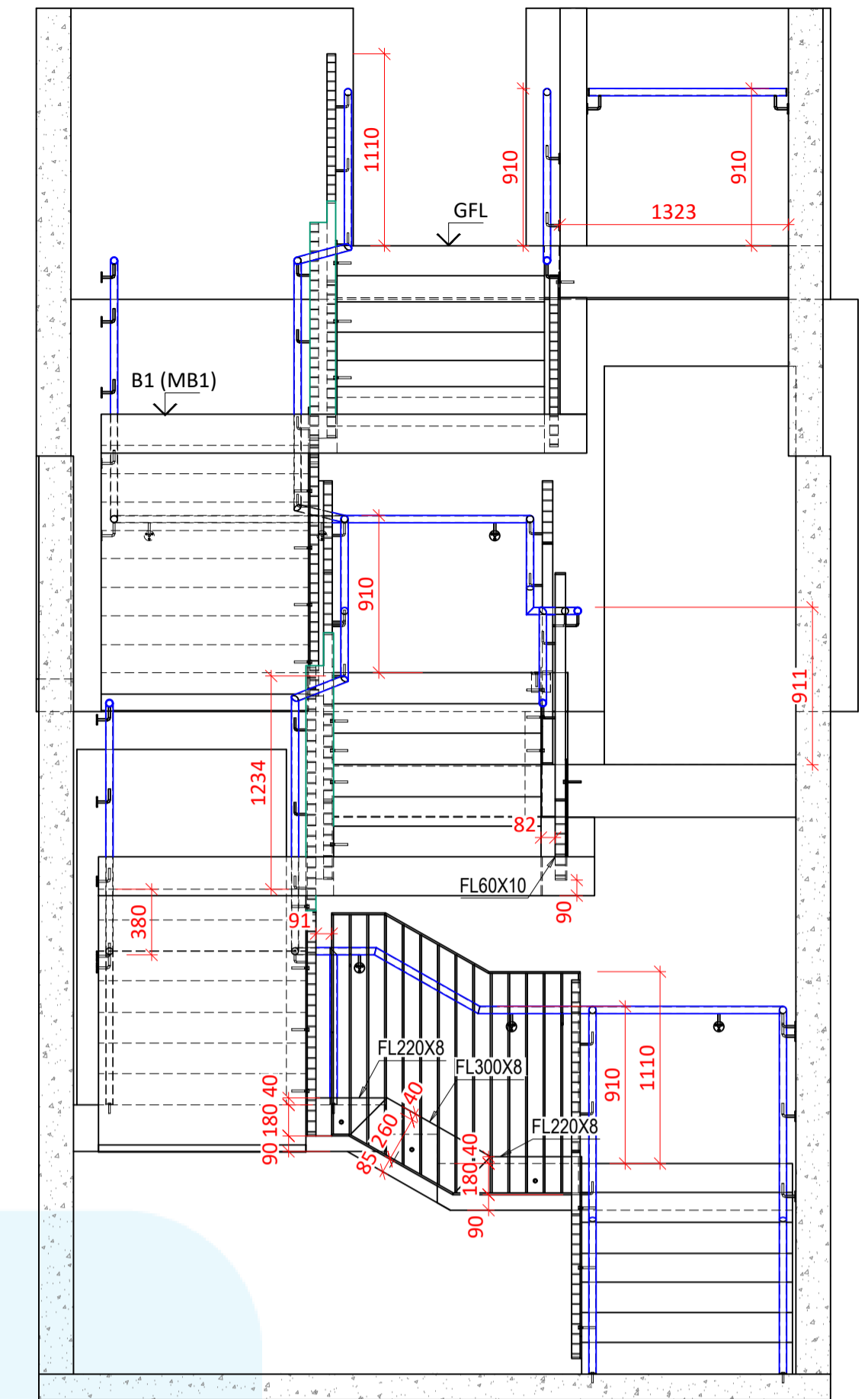
STAIR 02 - SECTION A-A
Scale: 1:33 1/3



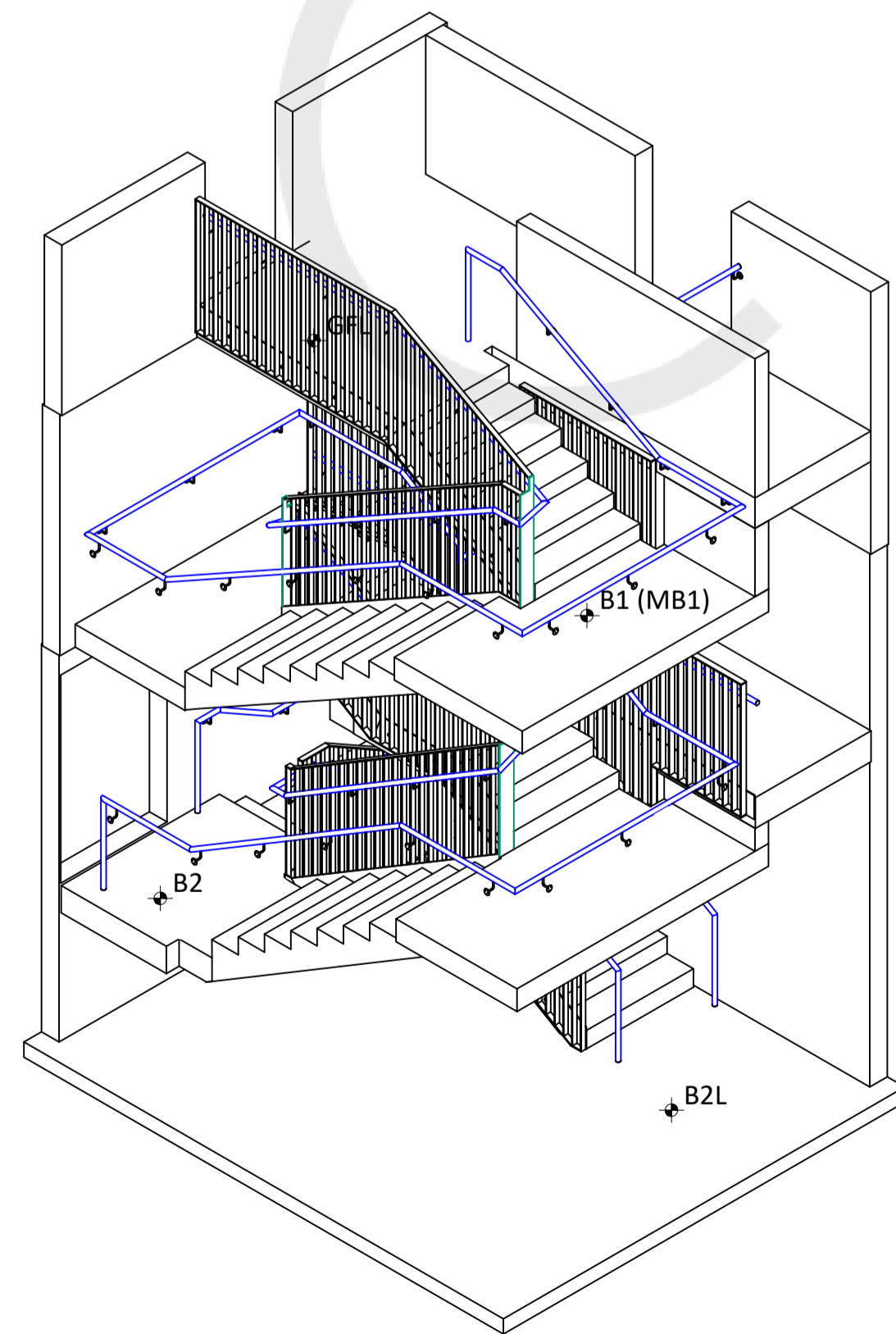
STAIR 02 - SECTION B-B
Scale: 1:33 1/3



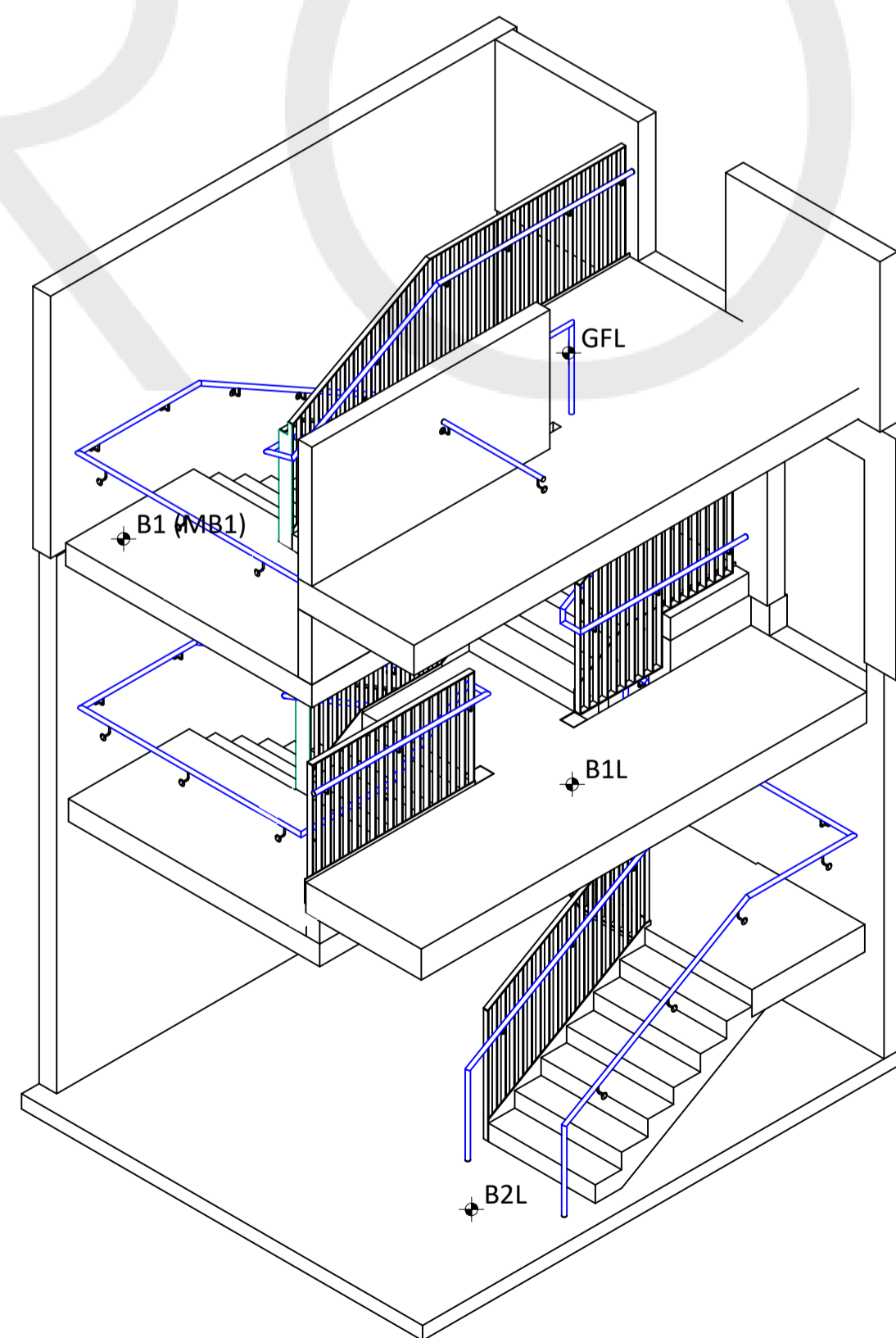
STAIR 02 - SECTION C-C
Scale: 1:33 1/3



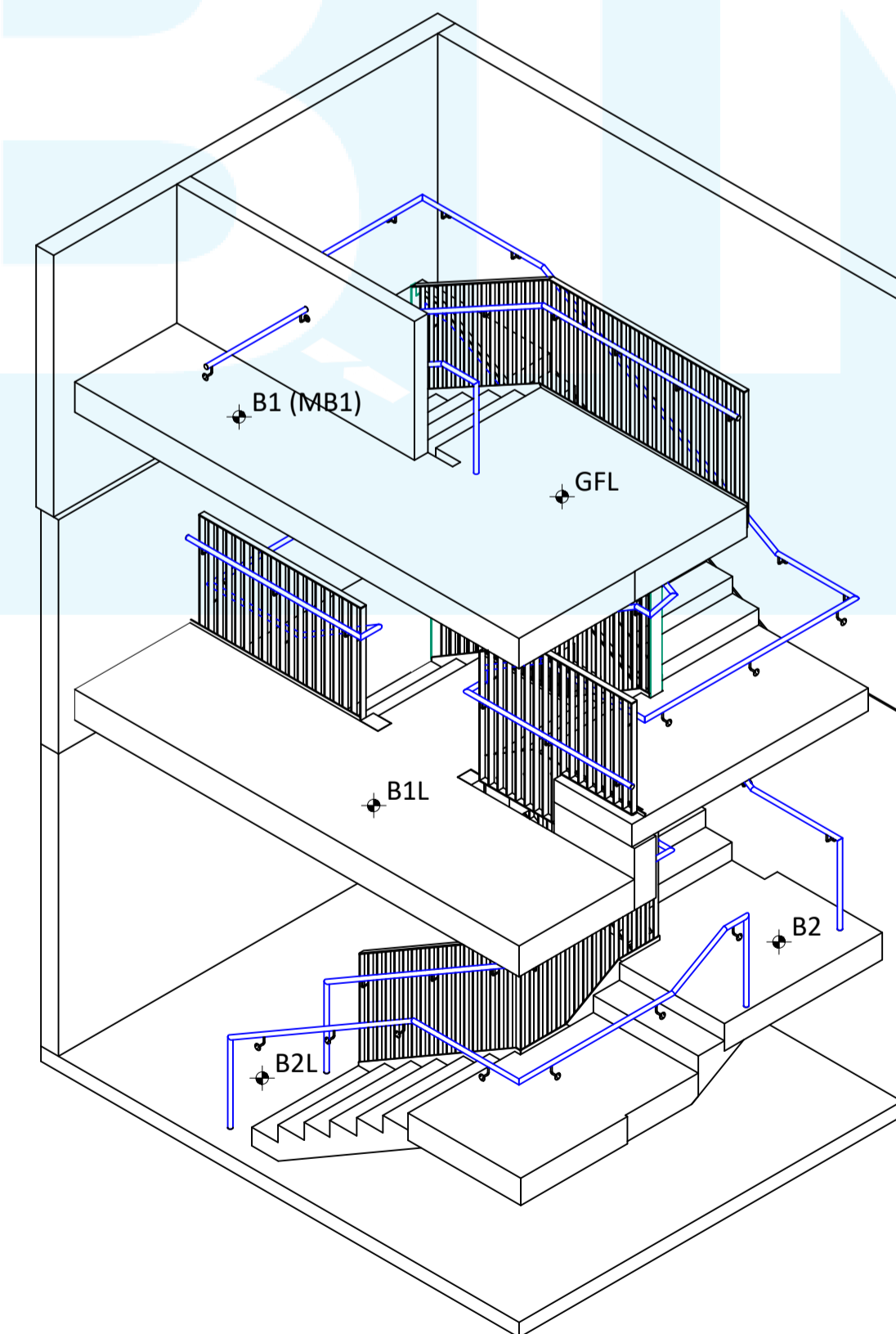
STAIR 02 - SECTION D-D
Scale: 1:33 1/3



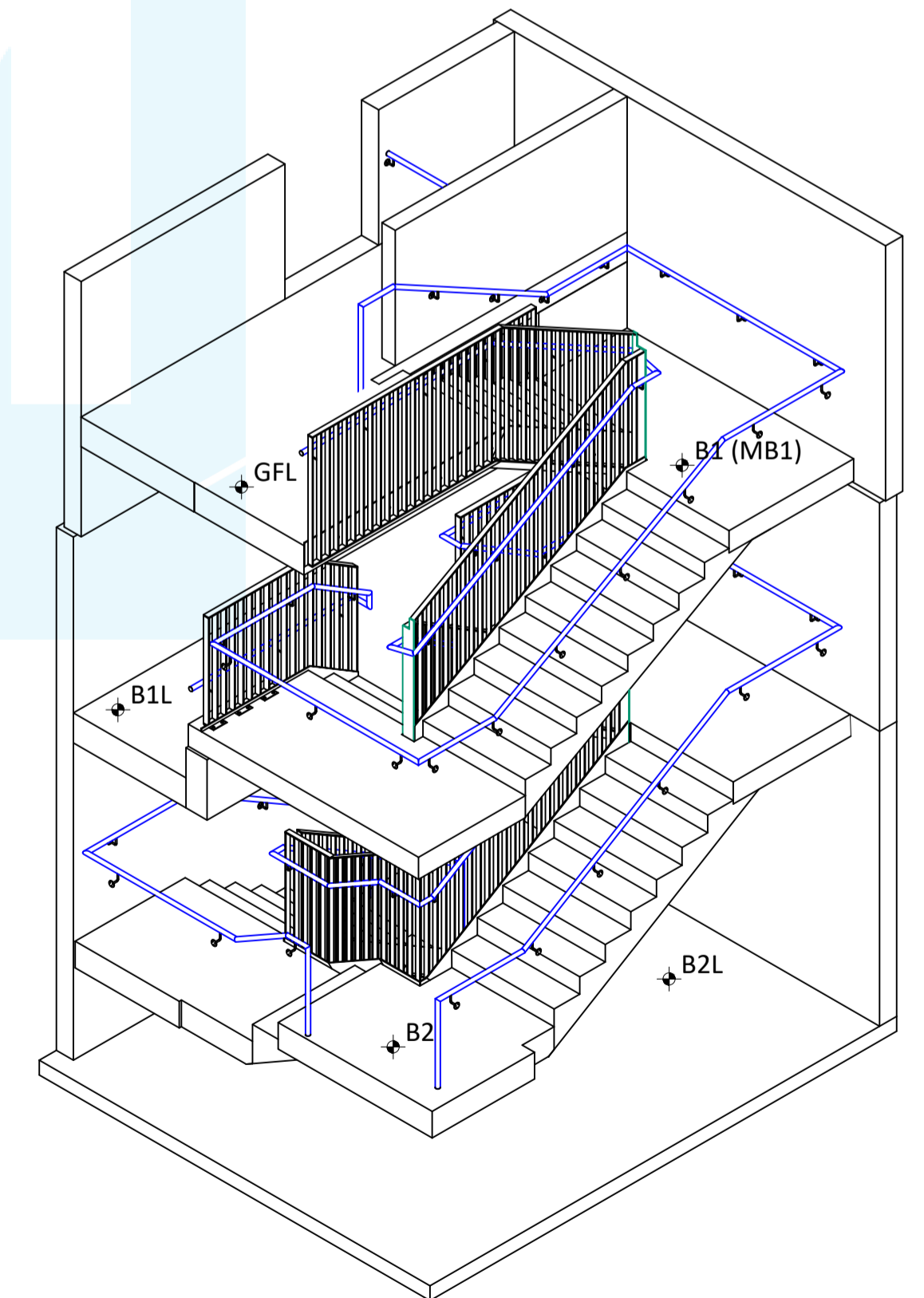
3D VIEW 1 - STAIR TYPE 2
Scale: 1:50



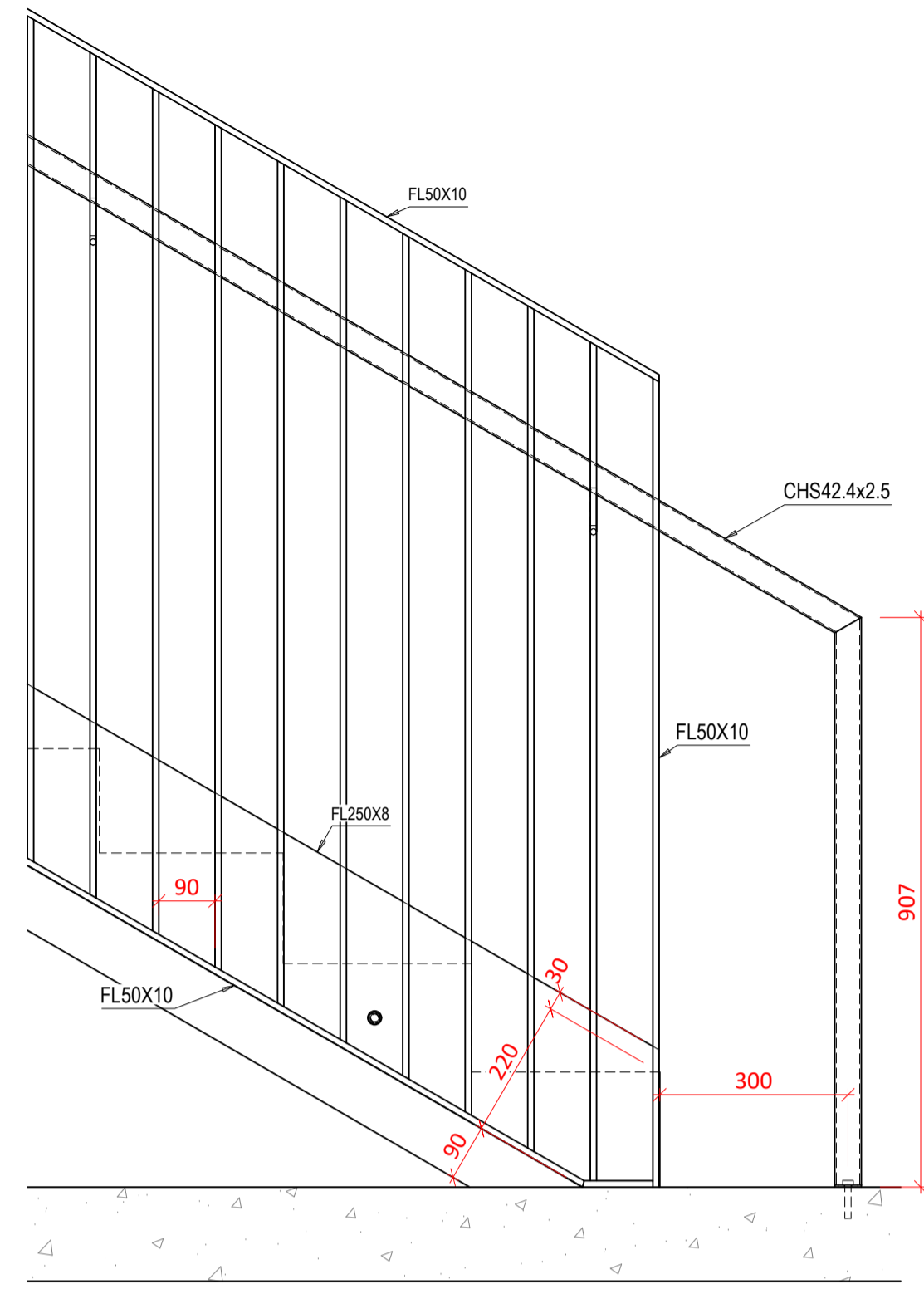
3D VIEW 2 - STAIR TYPE 2
Scale: 1:50



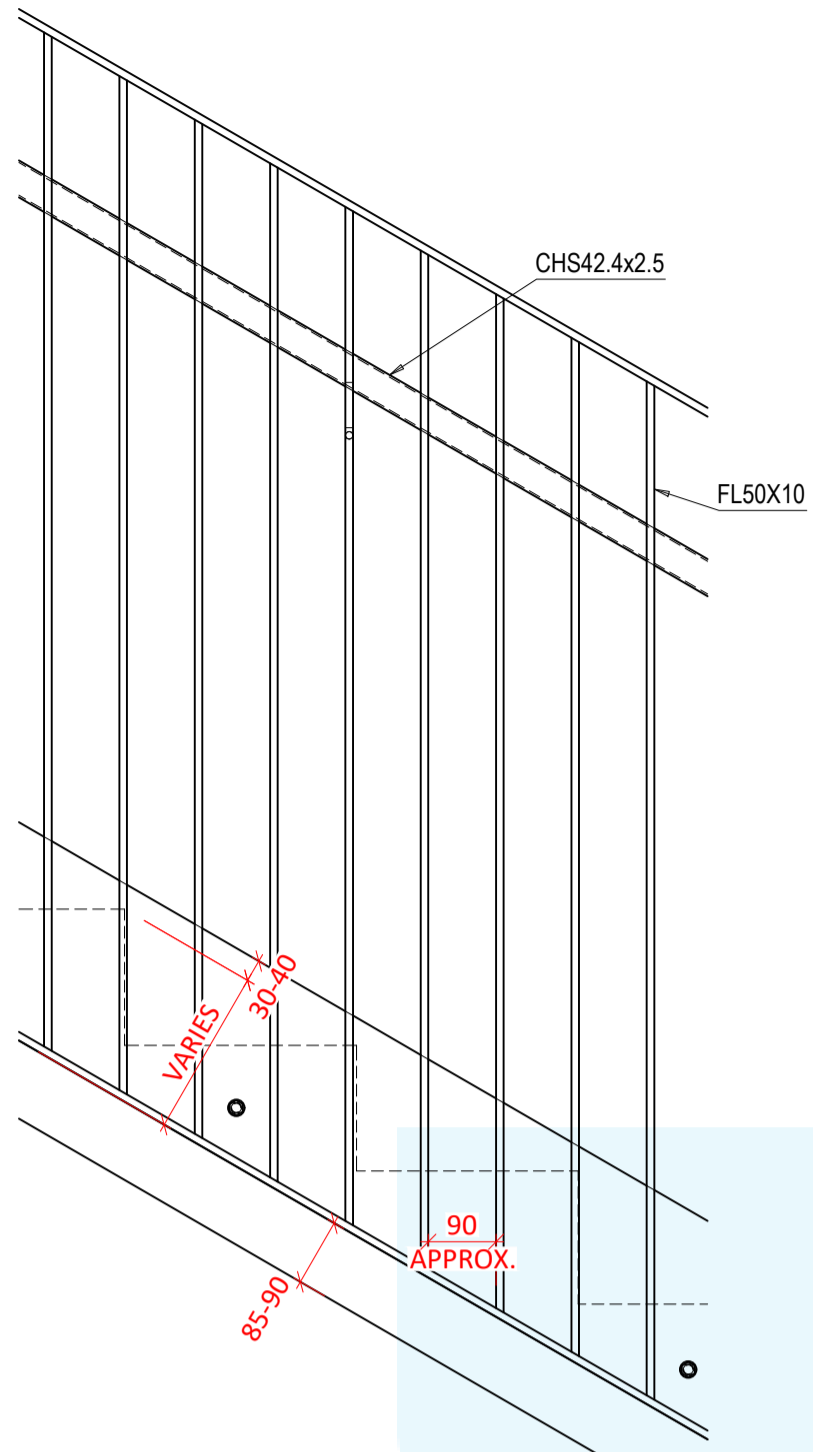
3D VIEW 3 - STAIR TYPE 2
Scale: 1:50



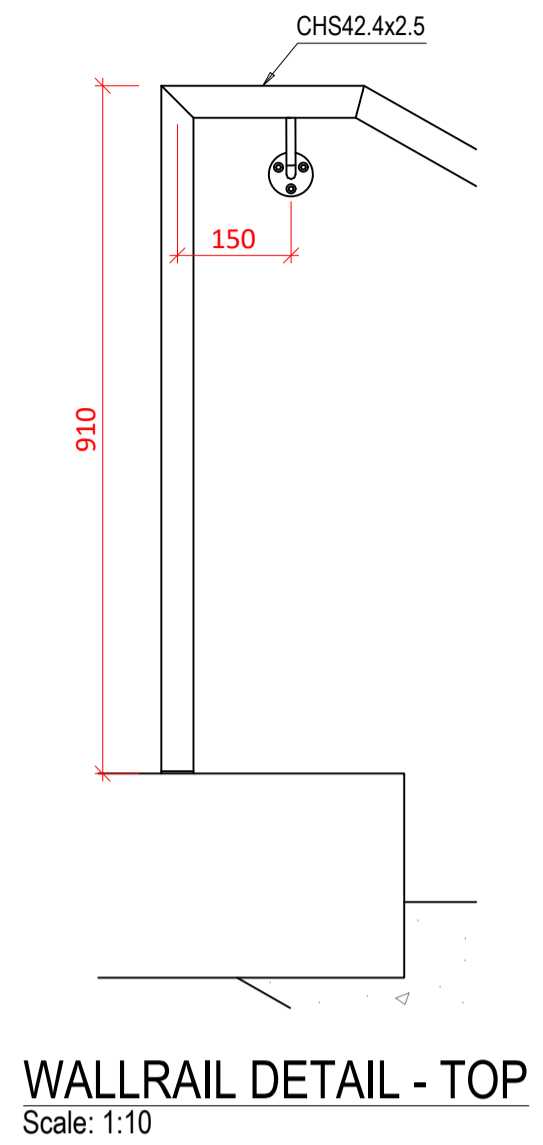
3D VIEW 4 - STAIR TYPE 2
Scale: 1:50



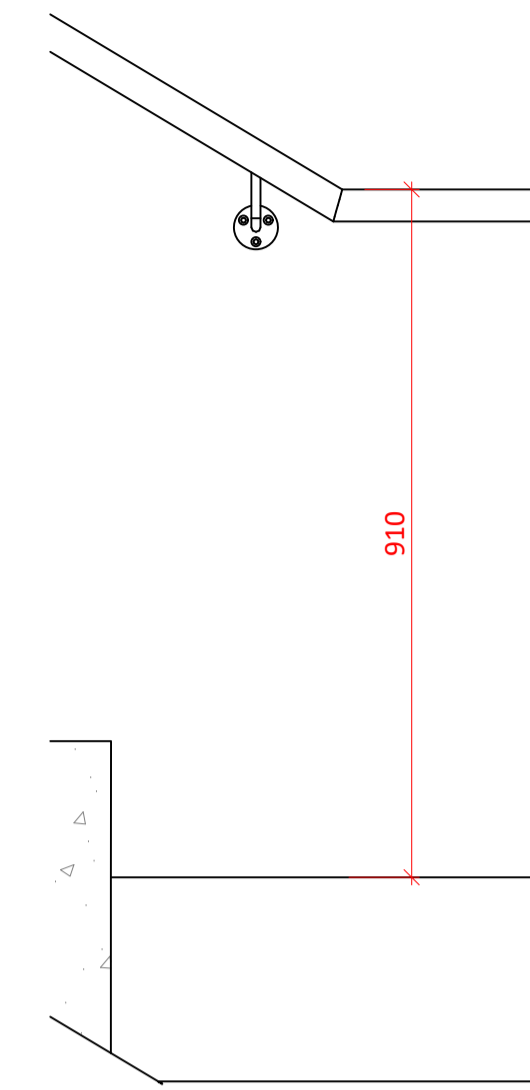
STAIR START
Scale: 1:10



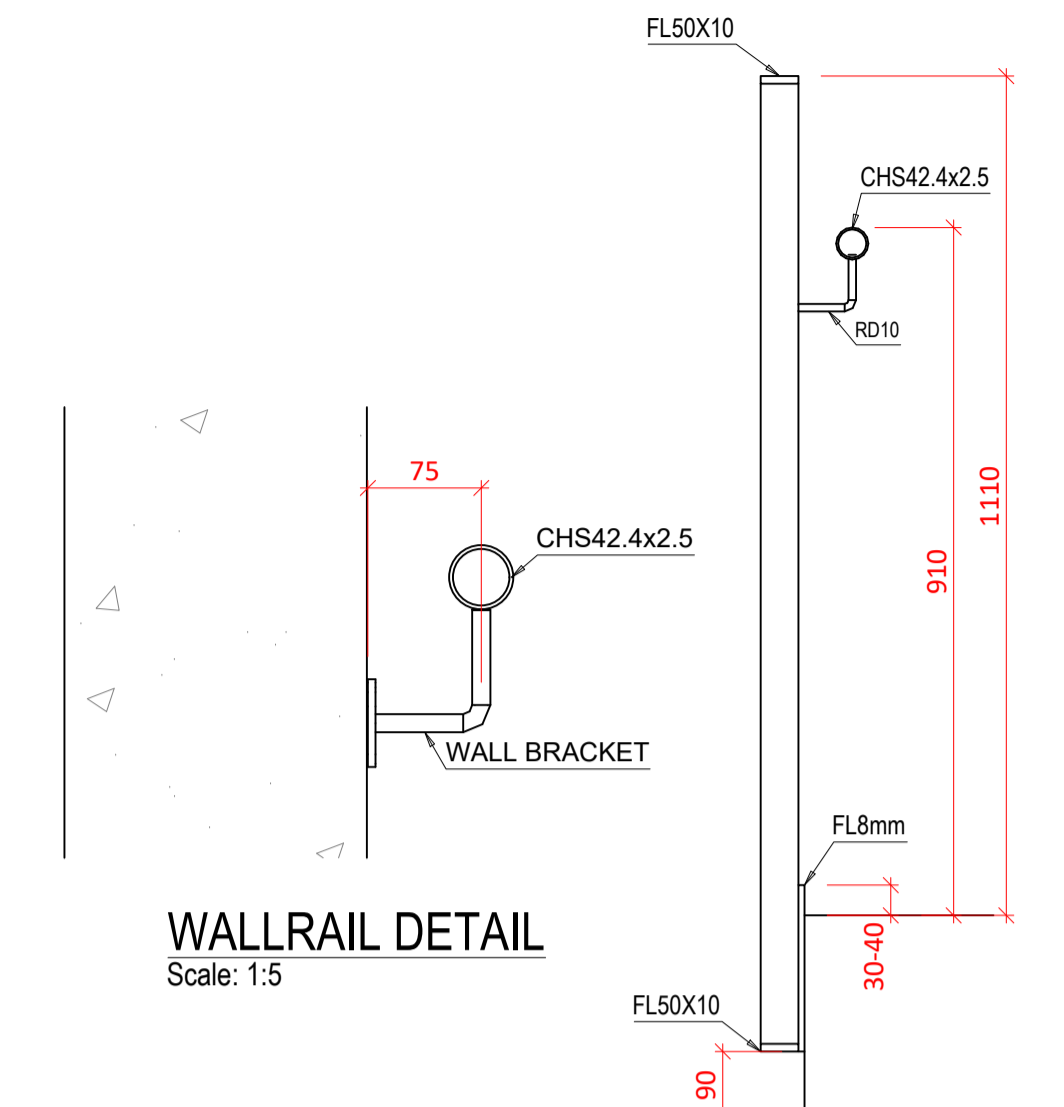
TYPICAL STAIR DETAIL
Scale: 1:10



WALLRAIL DETAIL - TOP
Scale: 1:10

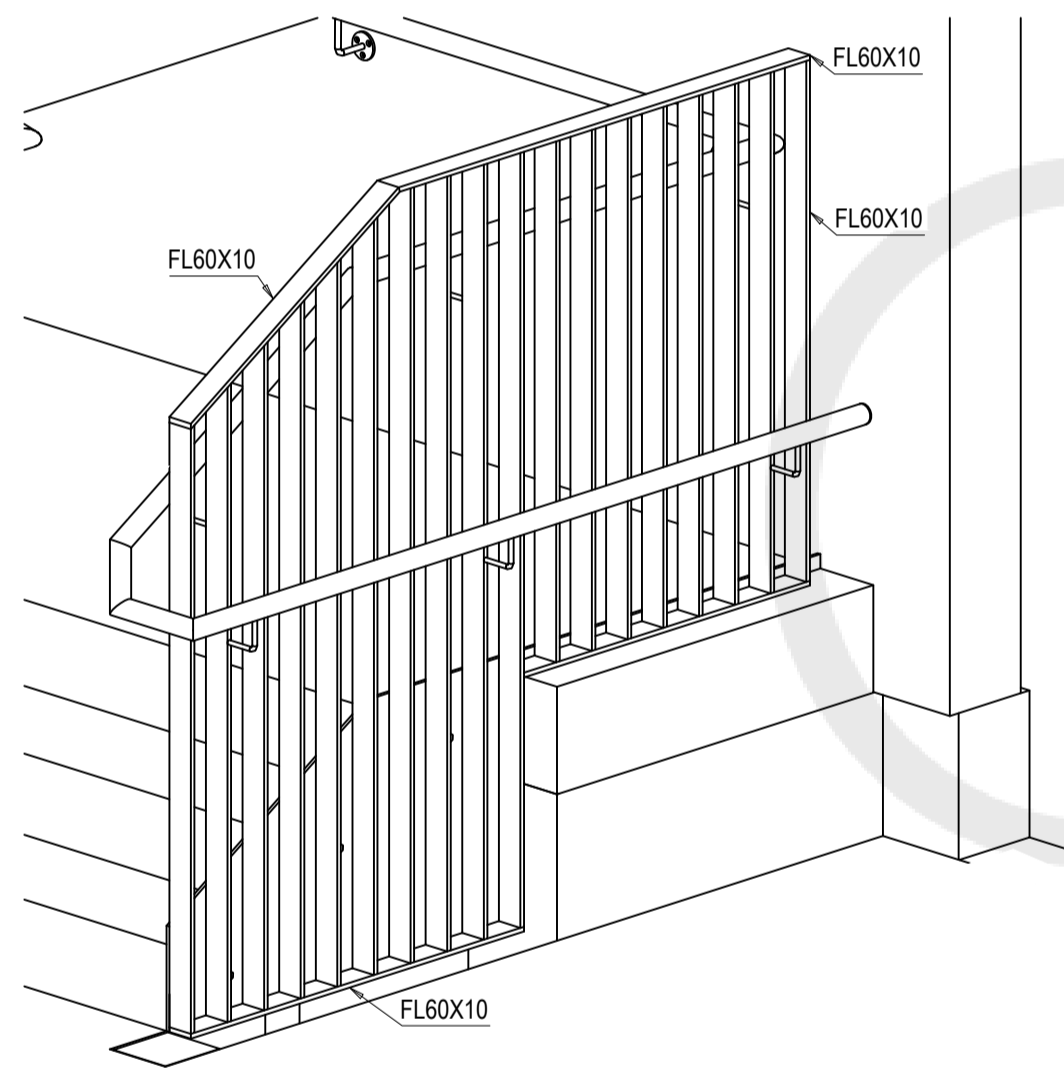


WALLRAIL DETAIL - START
Scale: 1:10

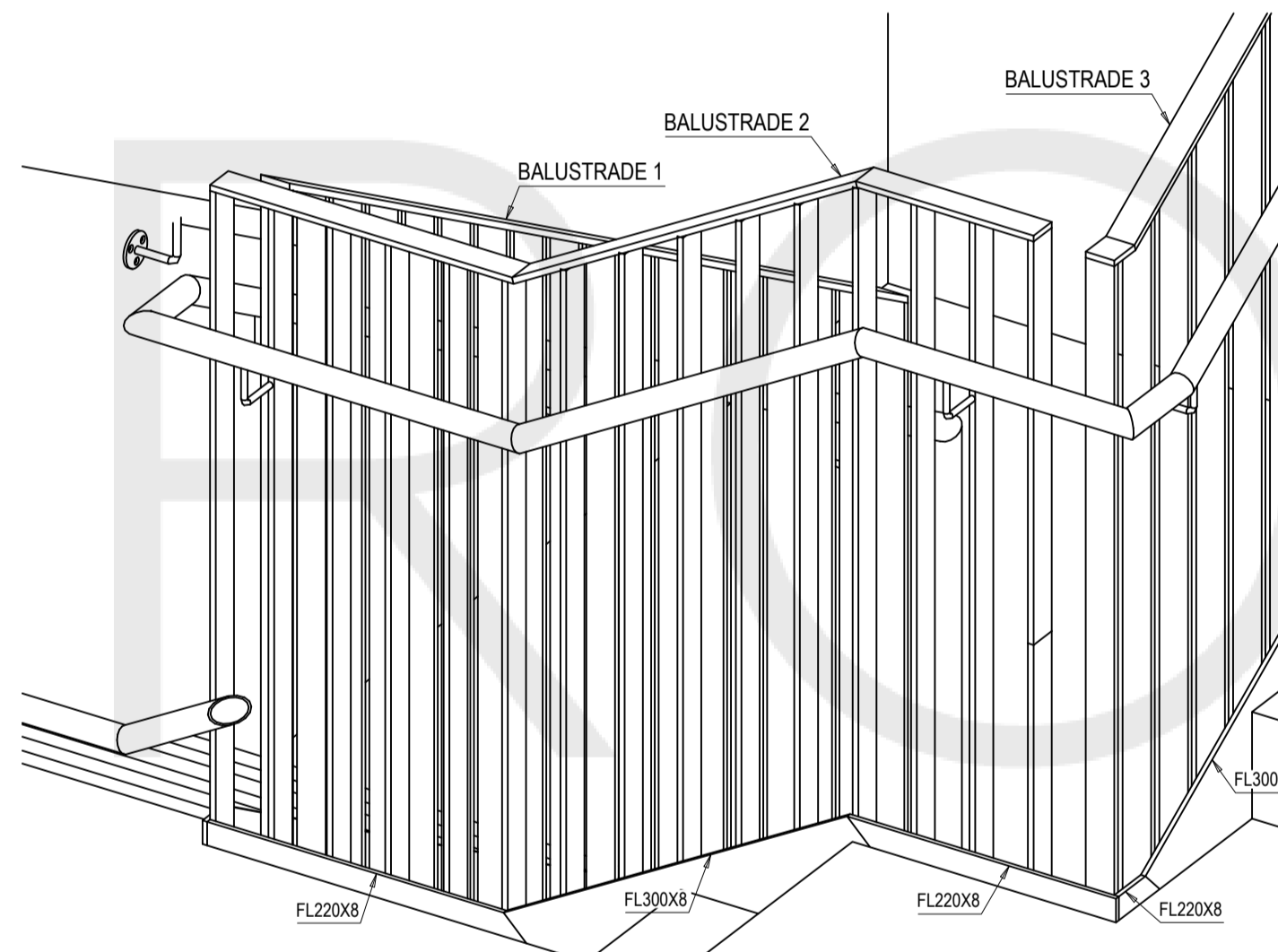


WALLRAIL DETAIL
Scale: 1:5

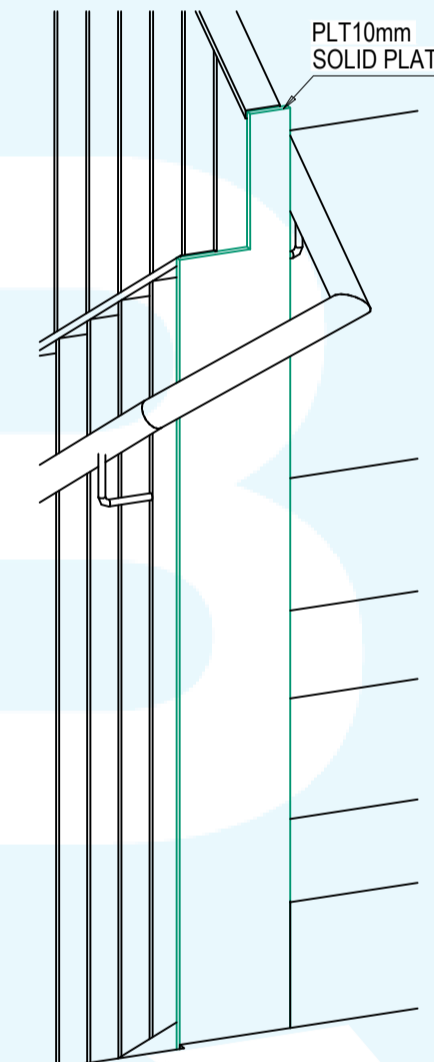
HANDRAIL DETAIL
Scale: 1:10



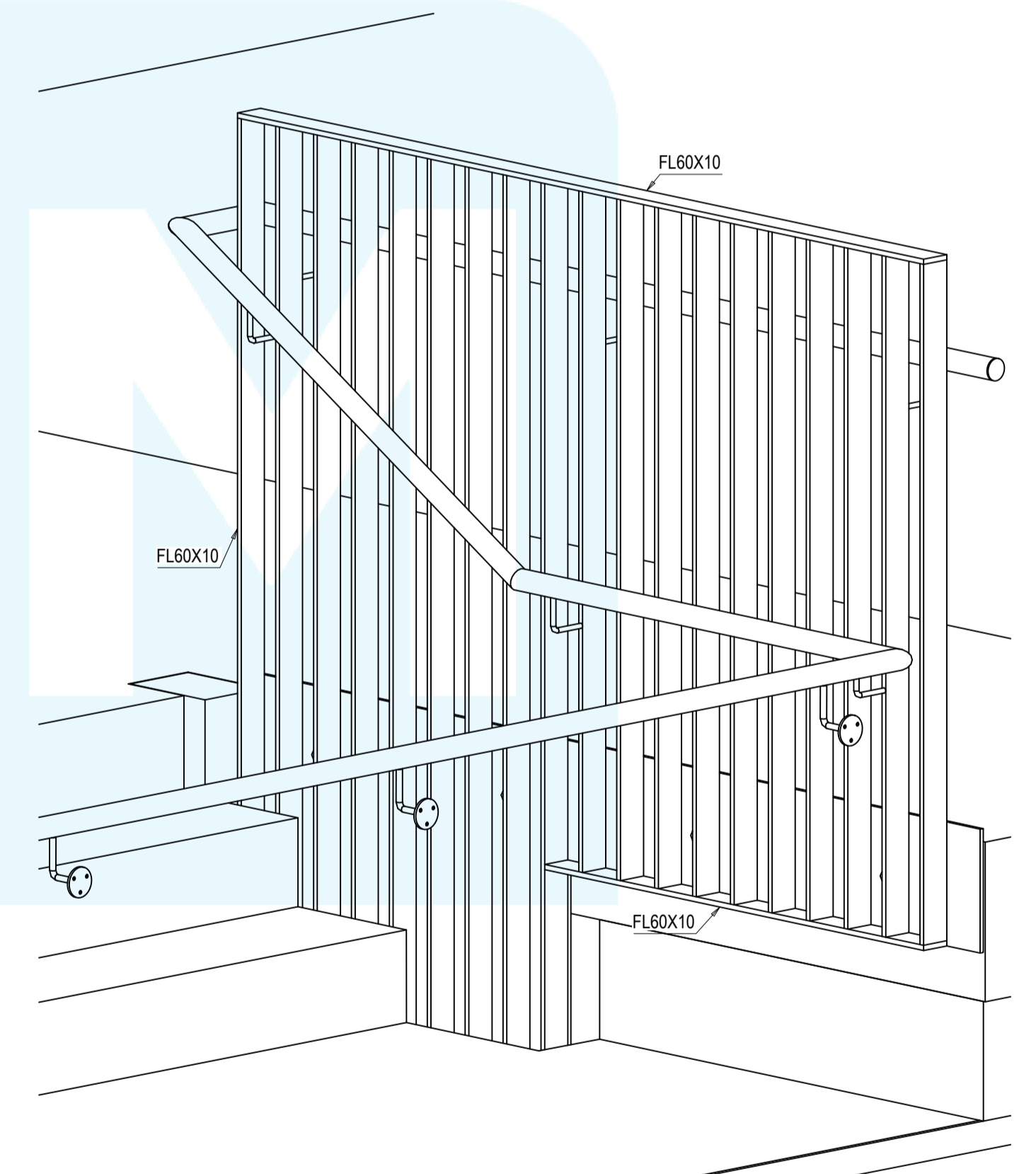
3D VIEW 1 - BALUSTRADE DETAIL - BASMENT 1 LOWER
Scale: 1:15



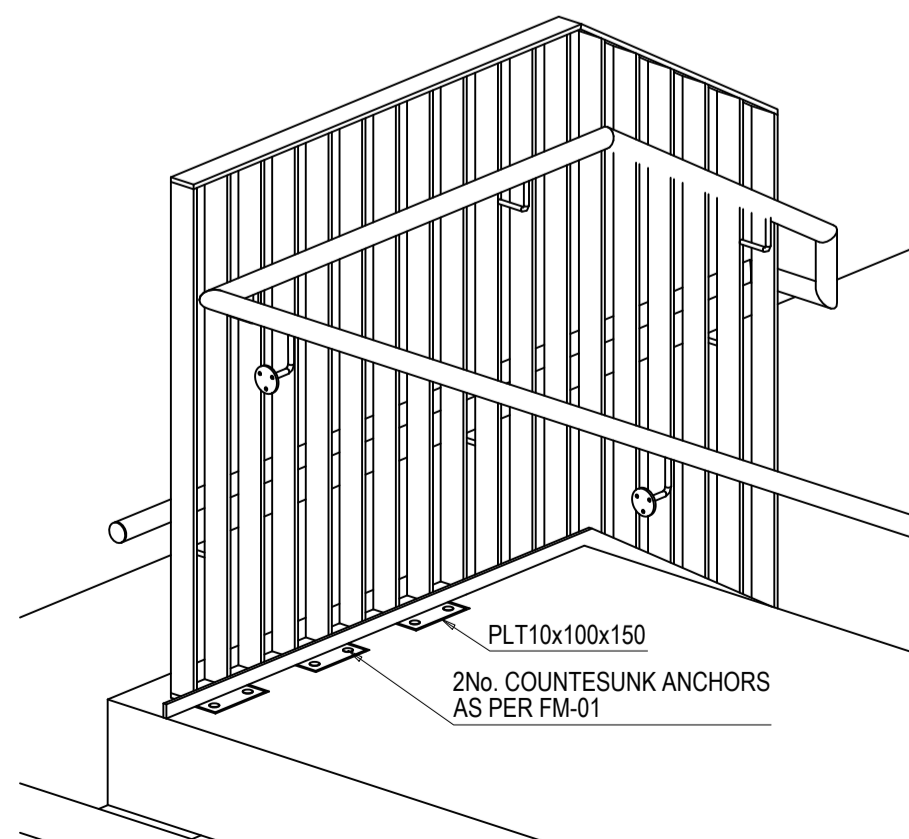
3D VIEW 1 - HANDRAIL DETAIL
Scale: 1:10



3D VIEW 1 - HANDRAIL DETAIL
Scale: 1:10

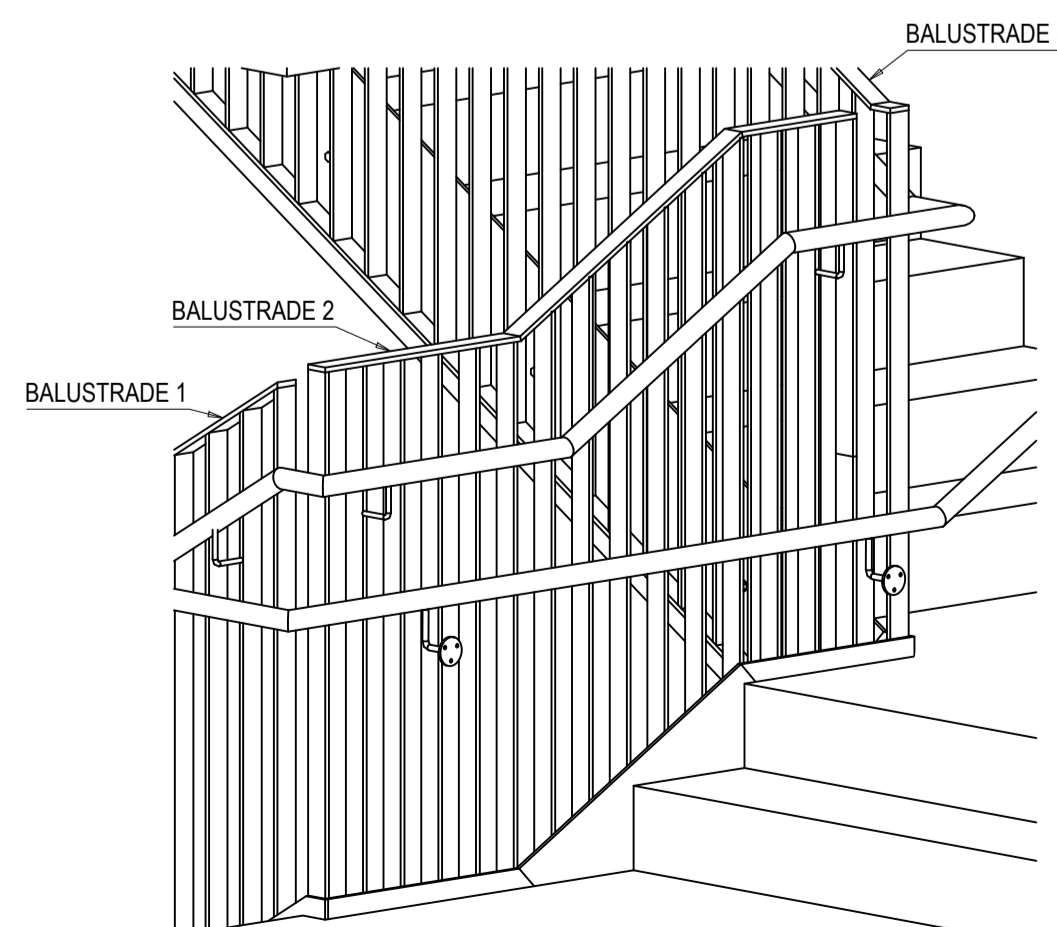


3D VIEW 2 - HANDRAIL DETAIL
Scale: 1:10



3D VIEW 2 - BALUSTRADE DETAIL - BASMENT 1 LOWER
Scale: 1:15

PLEASE SEE DRG. 100 - 3D VIEW



3D VIEW 2 - HANDRAIL DETAIL
Scale: 1:15