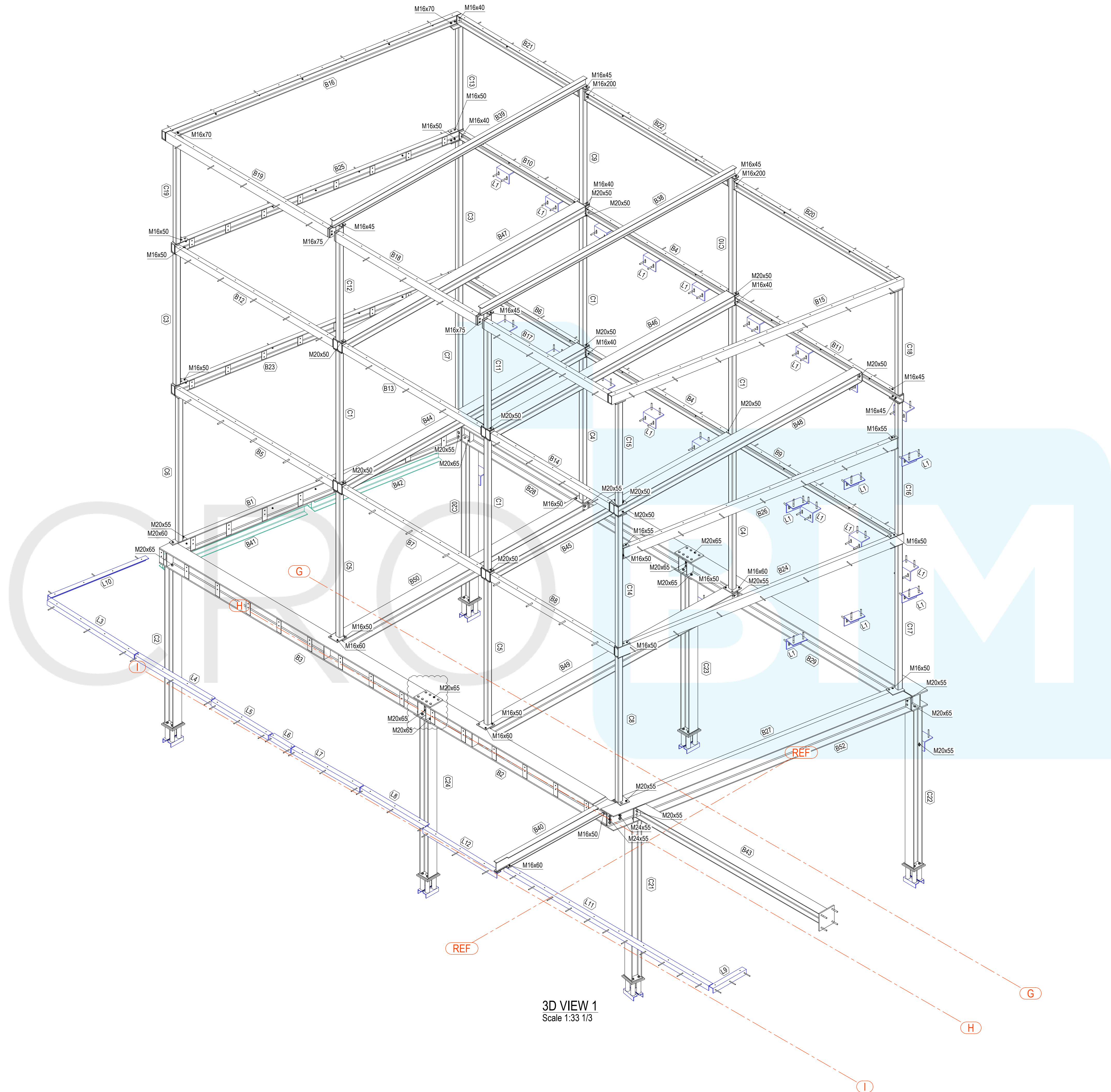
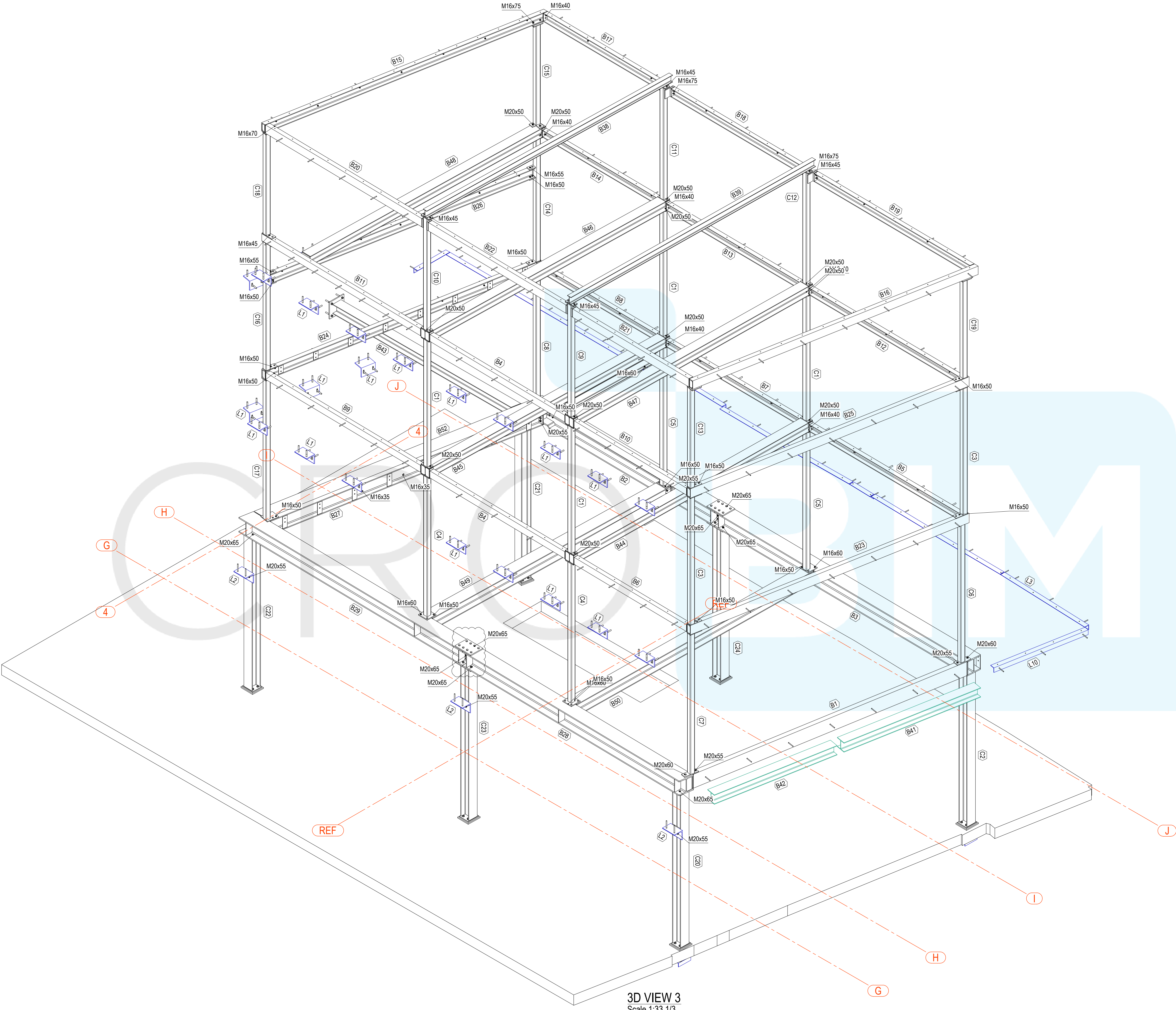


3D VIEW 1
Scale 1:33 1/3

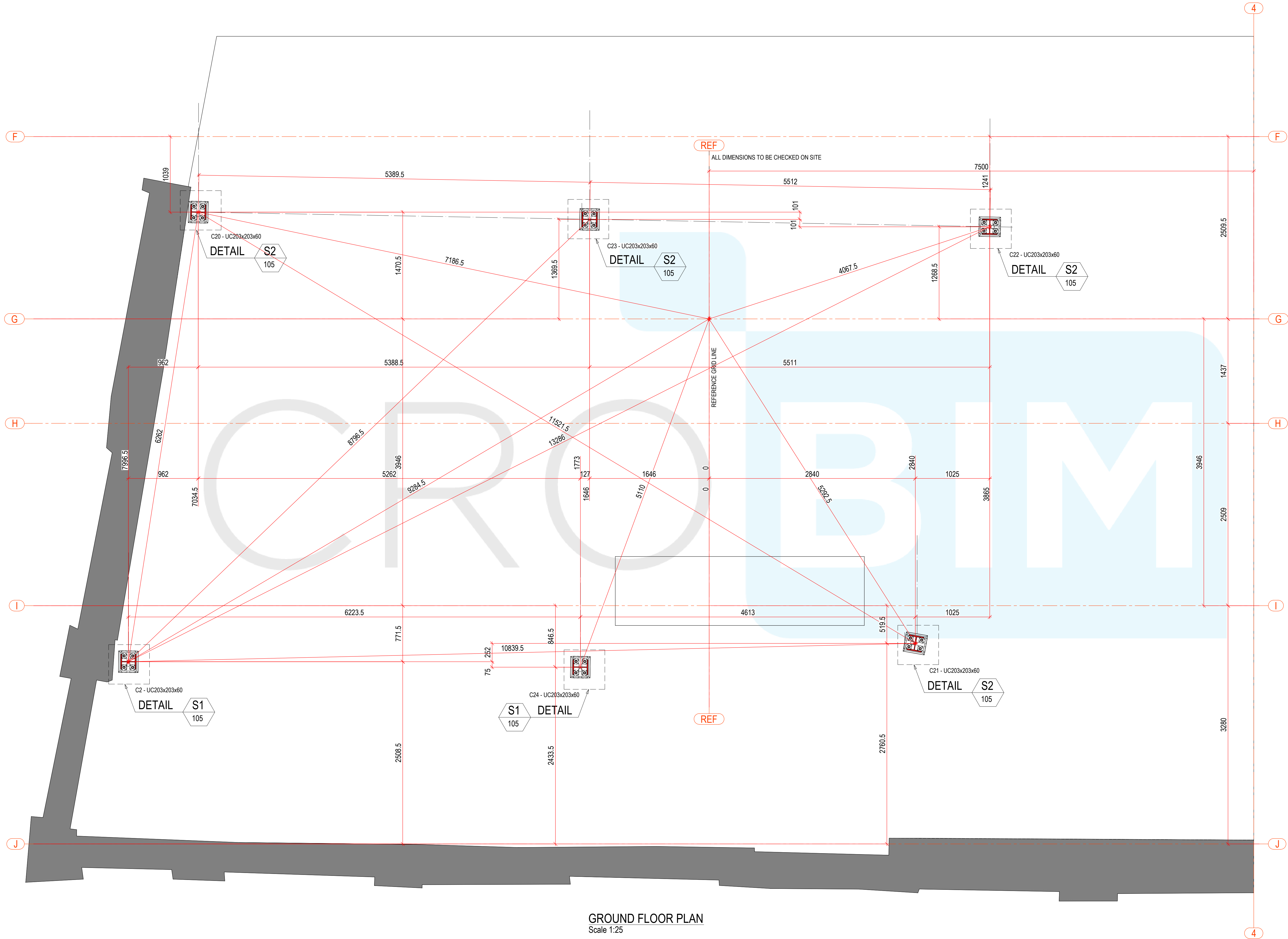


3D VIEW 1
Scale 1:33 1/3

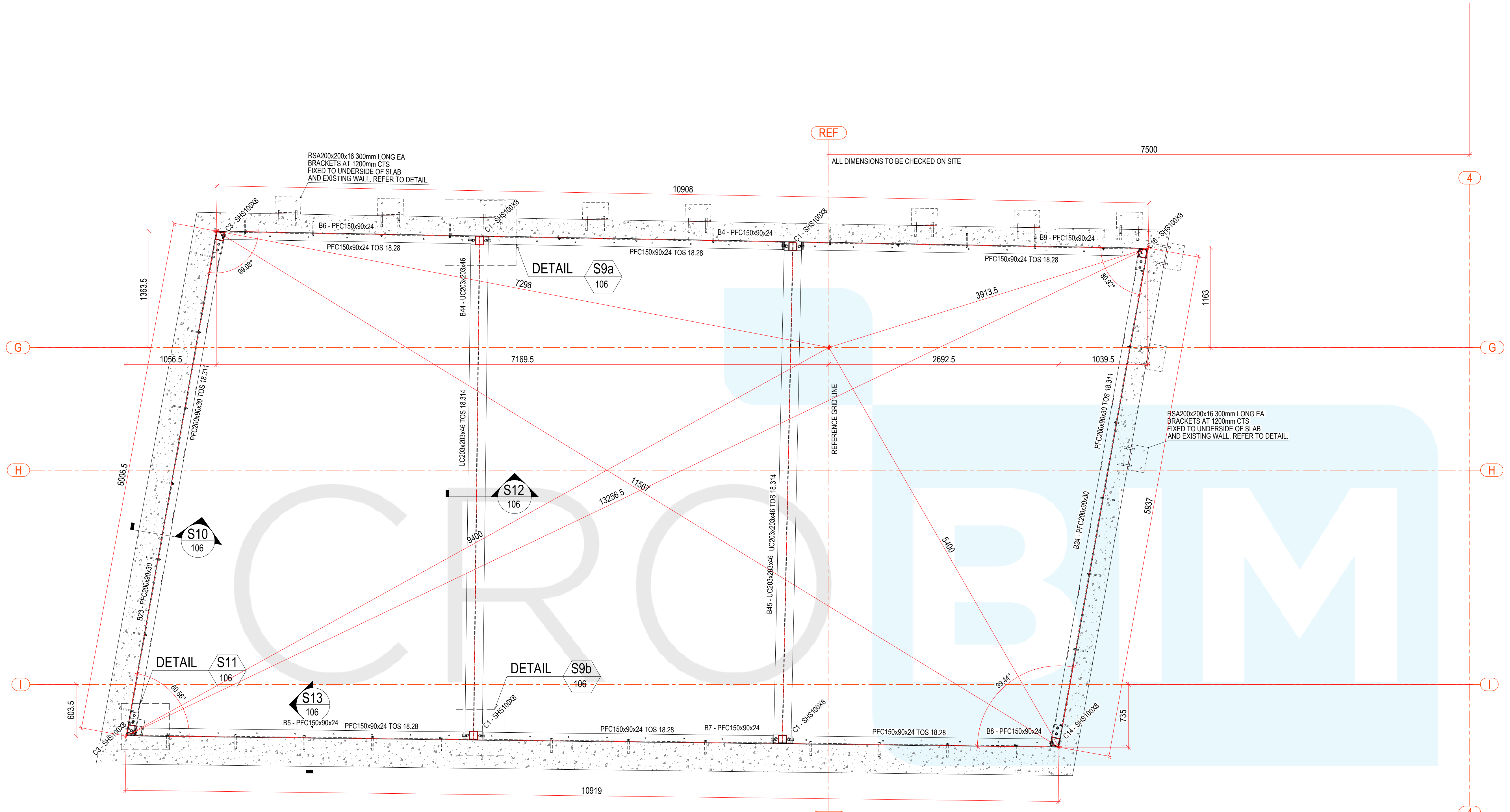


3D VIEW 3

Scale 1:33 1/3



GROUND FLOOR PLAN
Scale 1:25

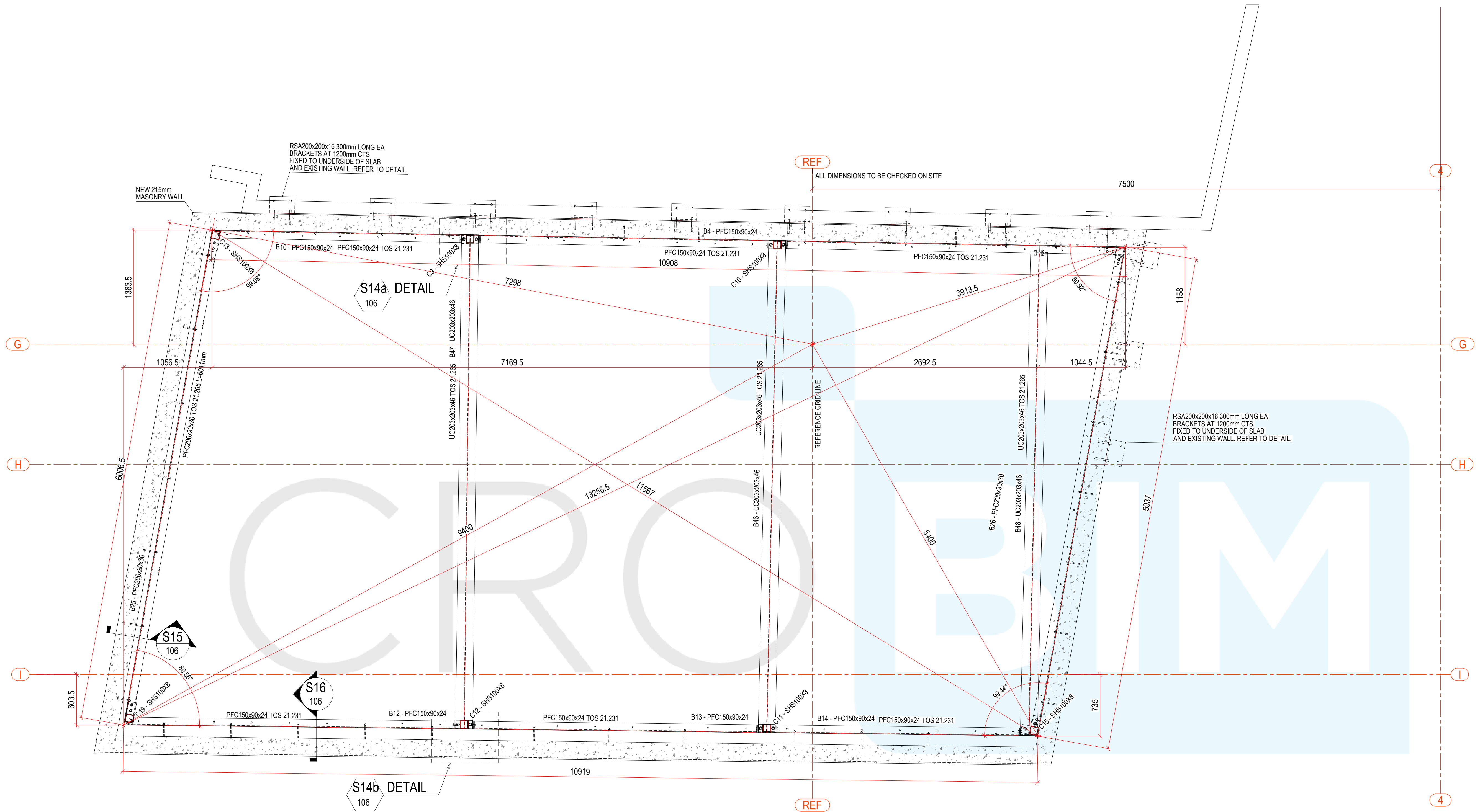


REF

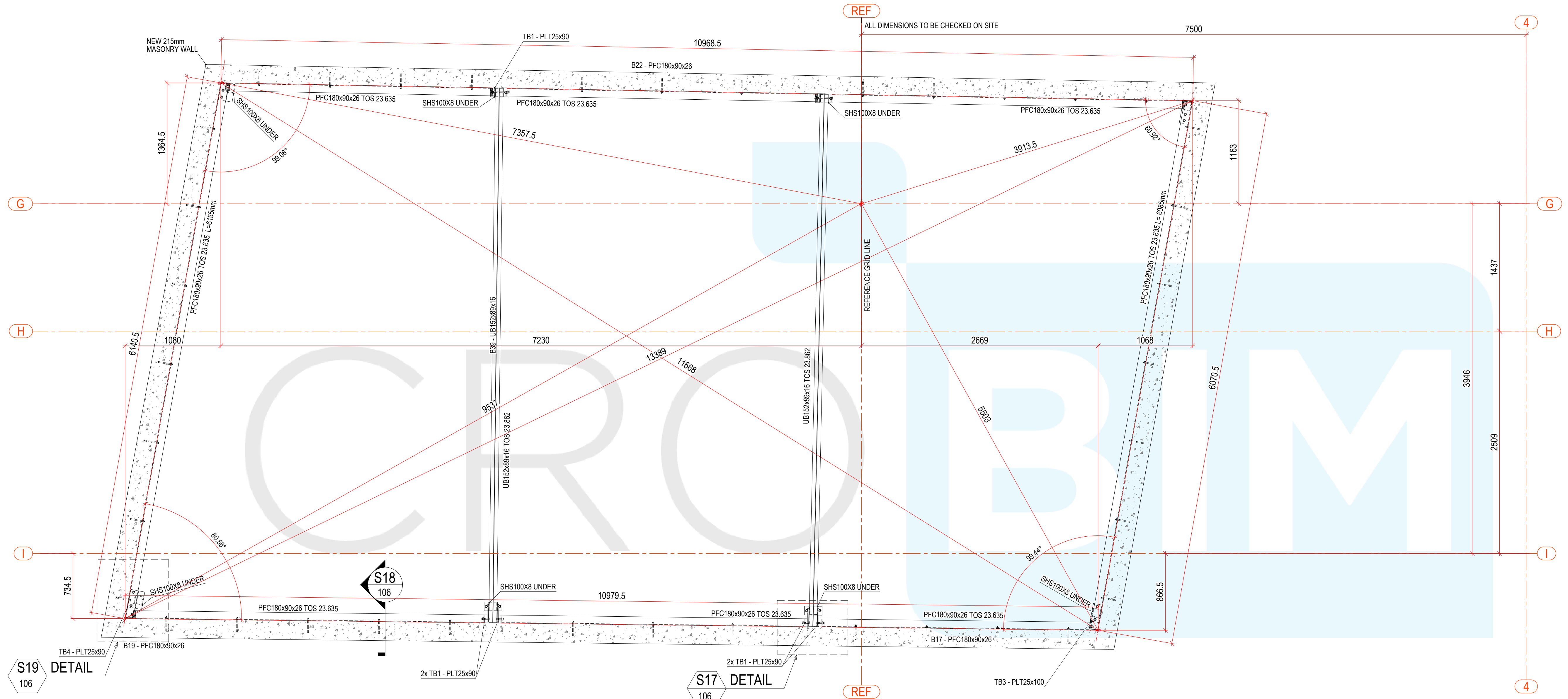
ALL DIMENSIONS TO BE CHECKED ON SITE

REF

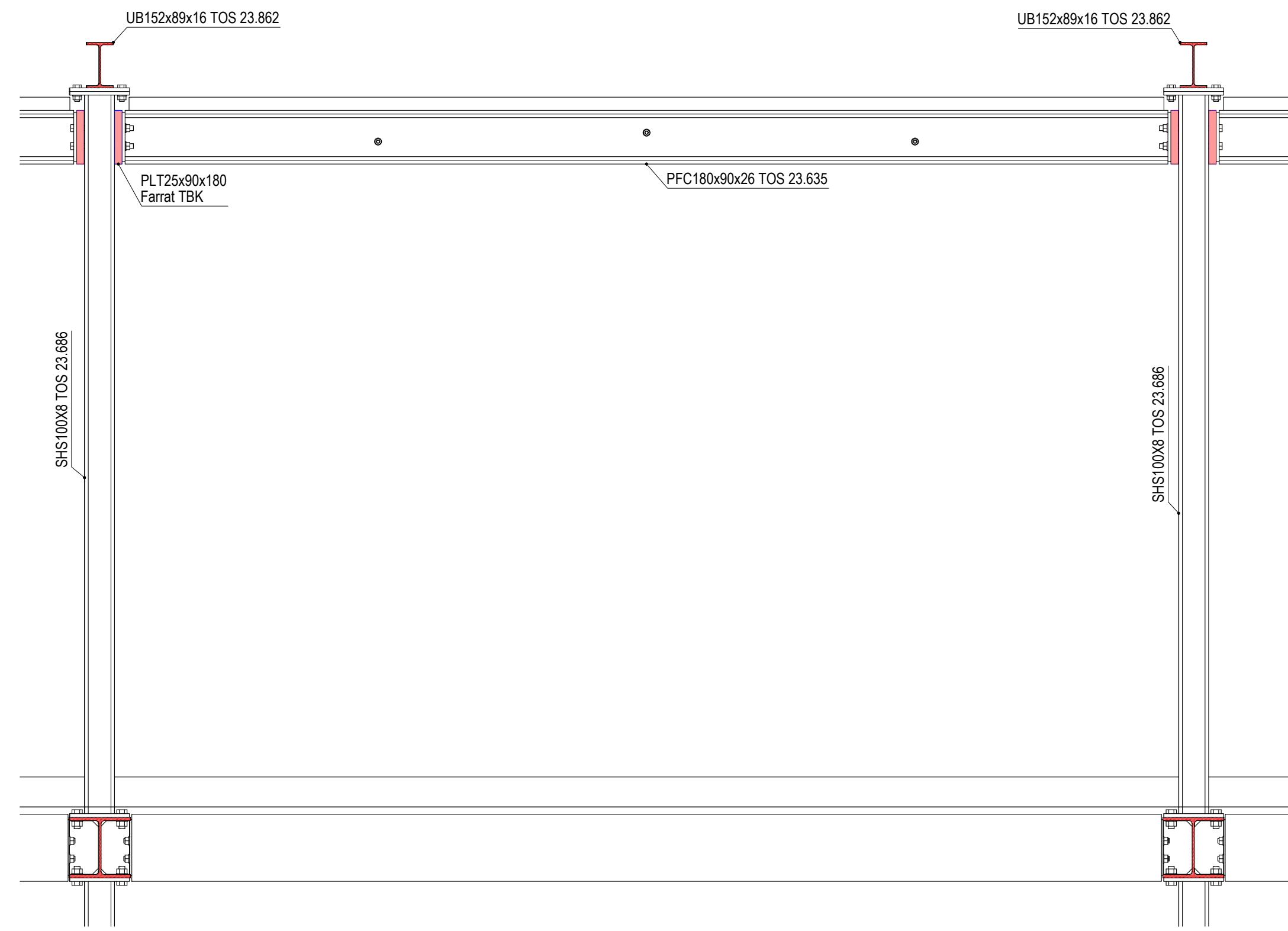
SECOND FLOOR PLAN
Scale 1:25



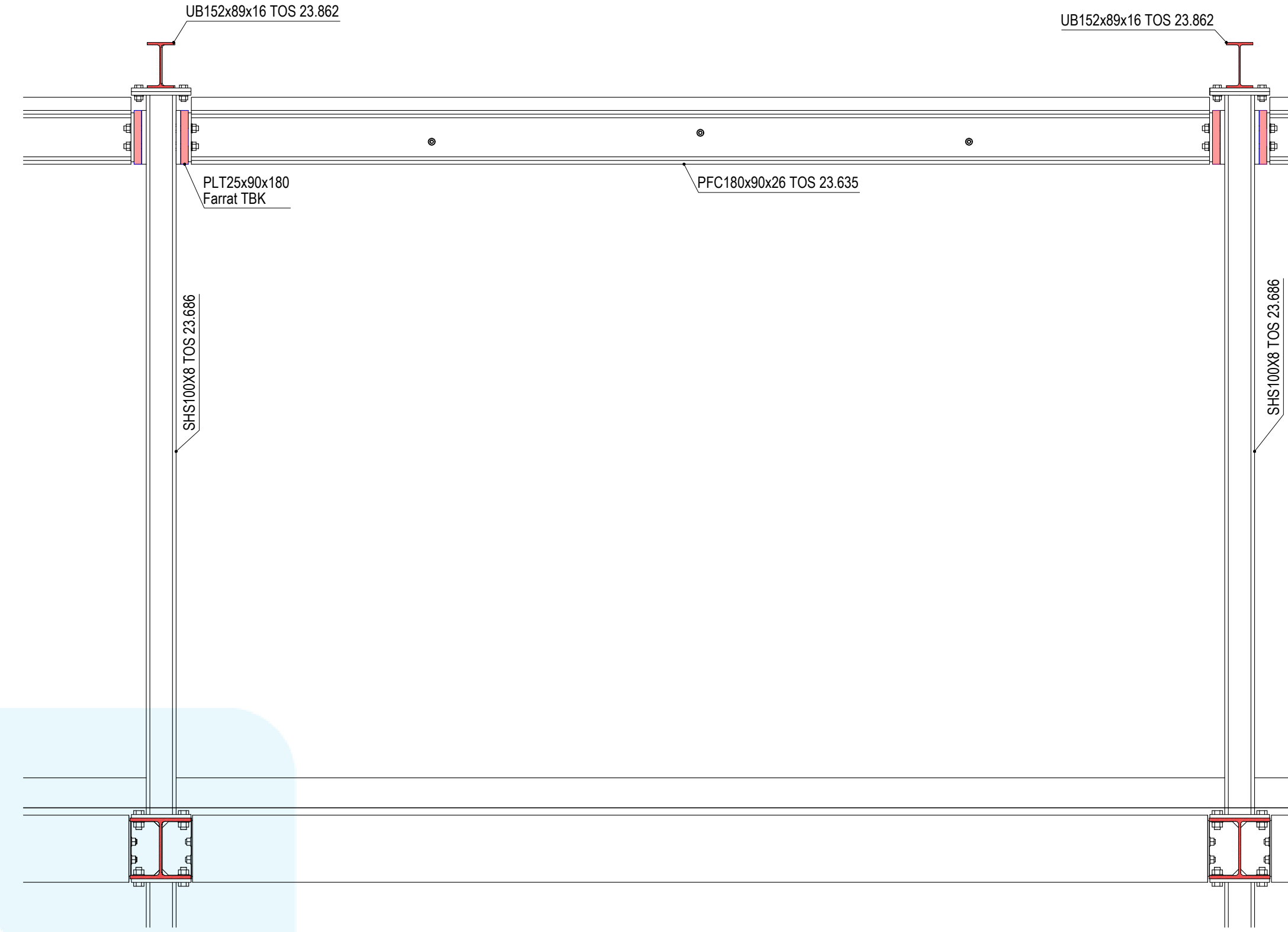
THIRD FLOOR PLAN
Scale 1:25



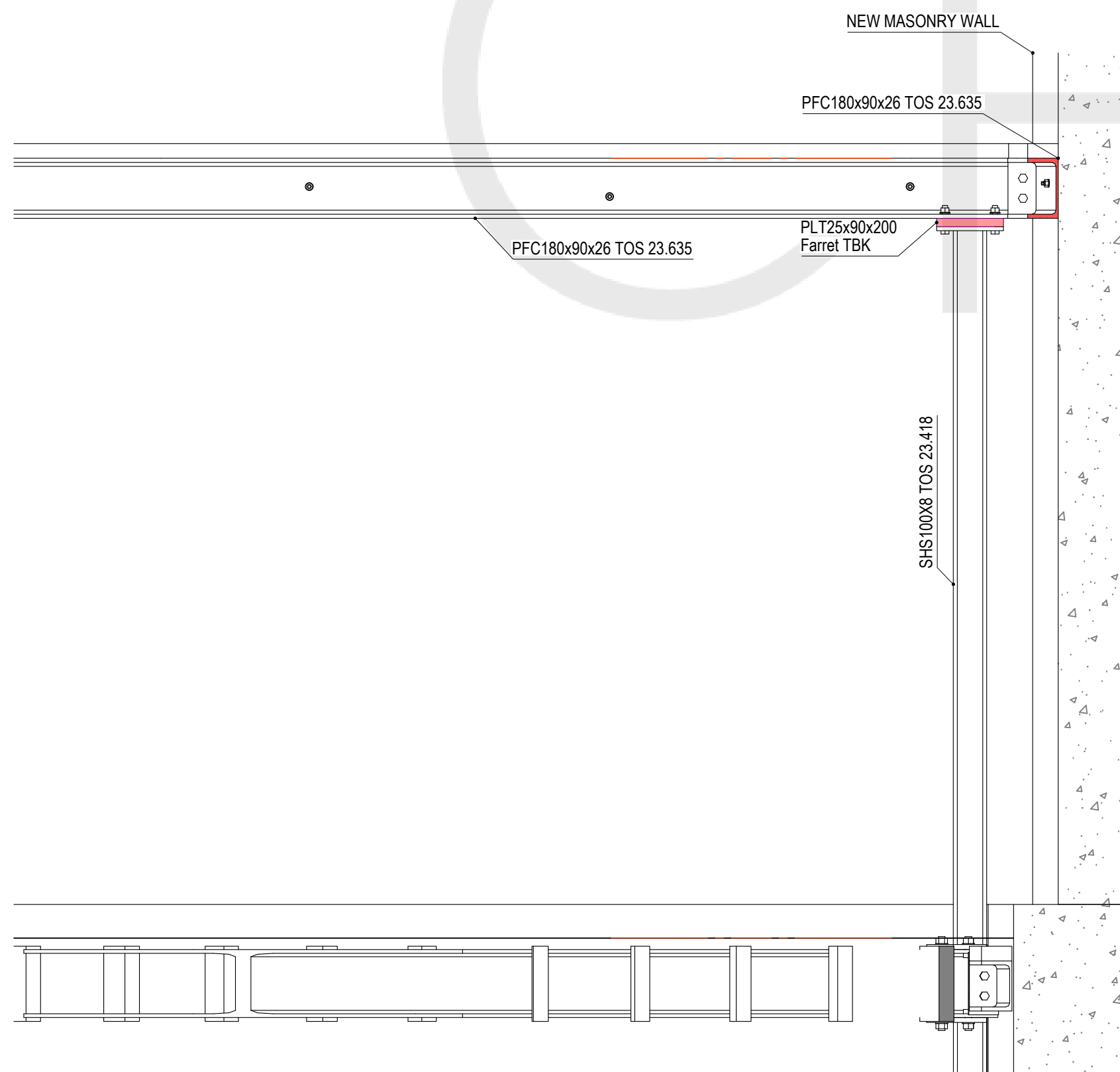
FOURTH FLOOR PLAN
Scale 1:25



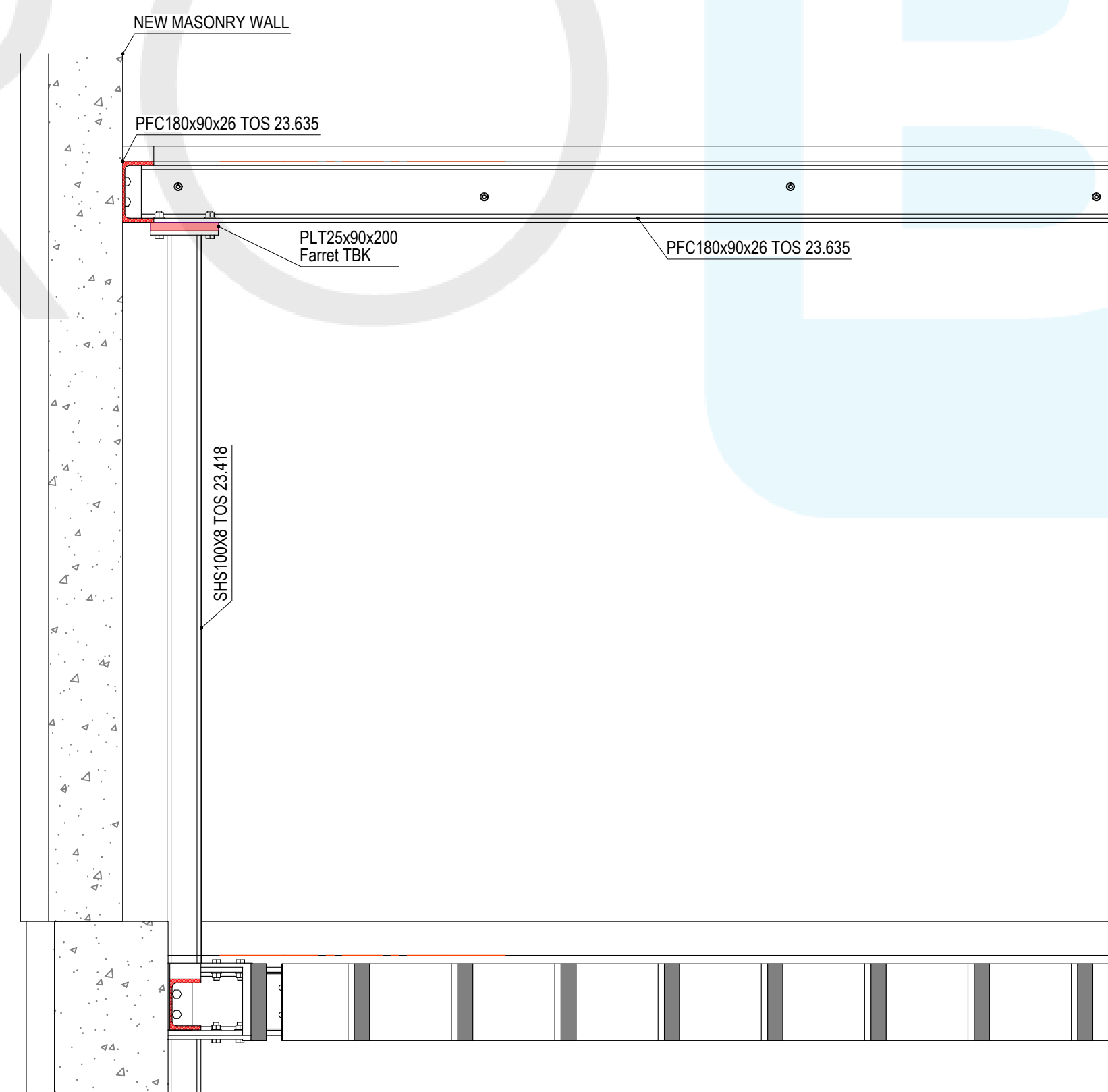
WALL BRACING 1
Scale 1:15



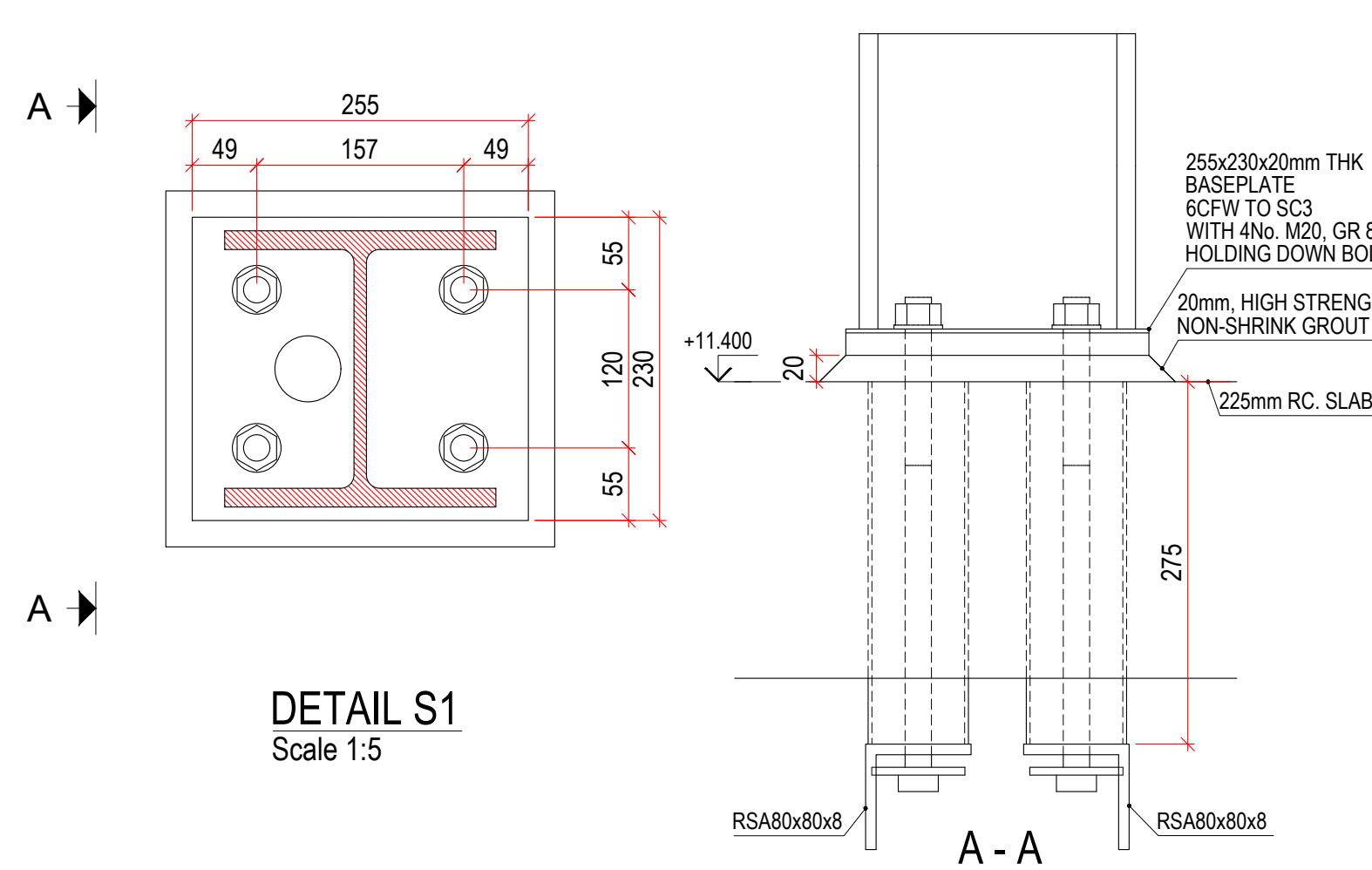
WALL BRACING 2
Scale 1:15



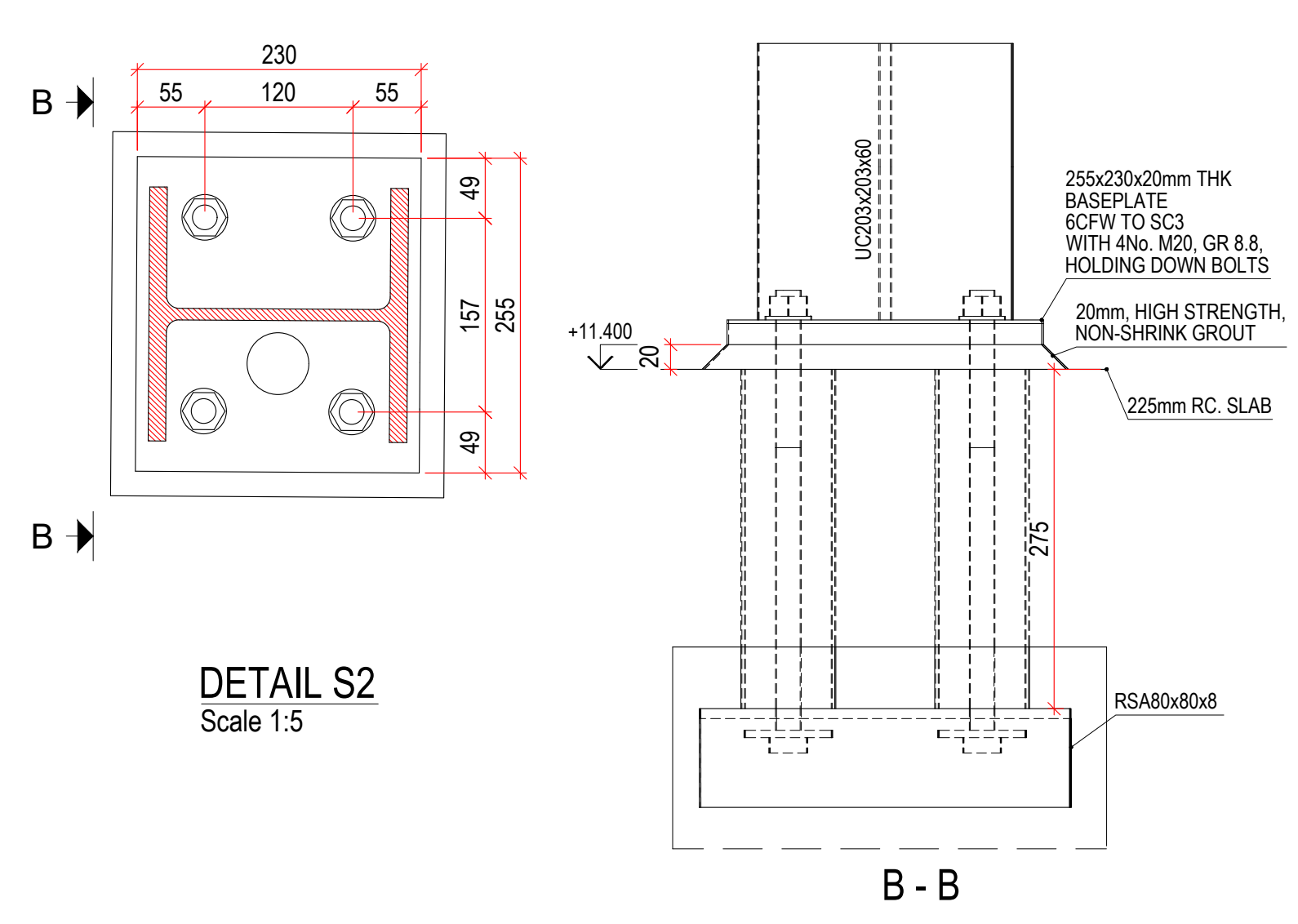
WALL BRACING 3
Scale 1:15



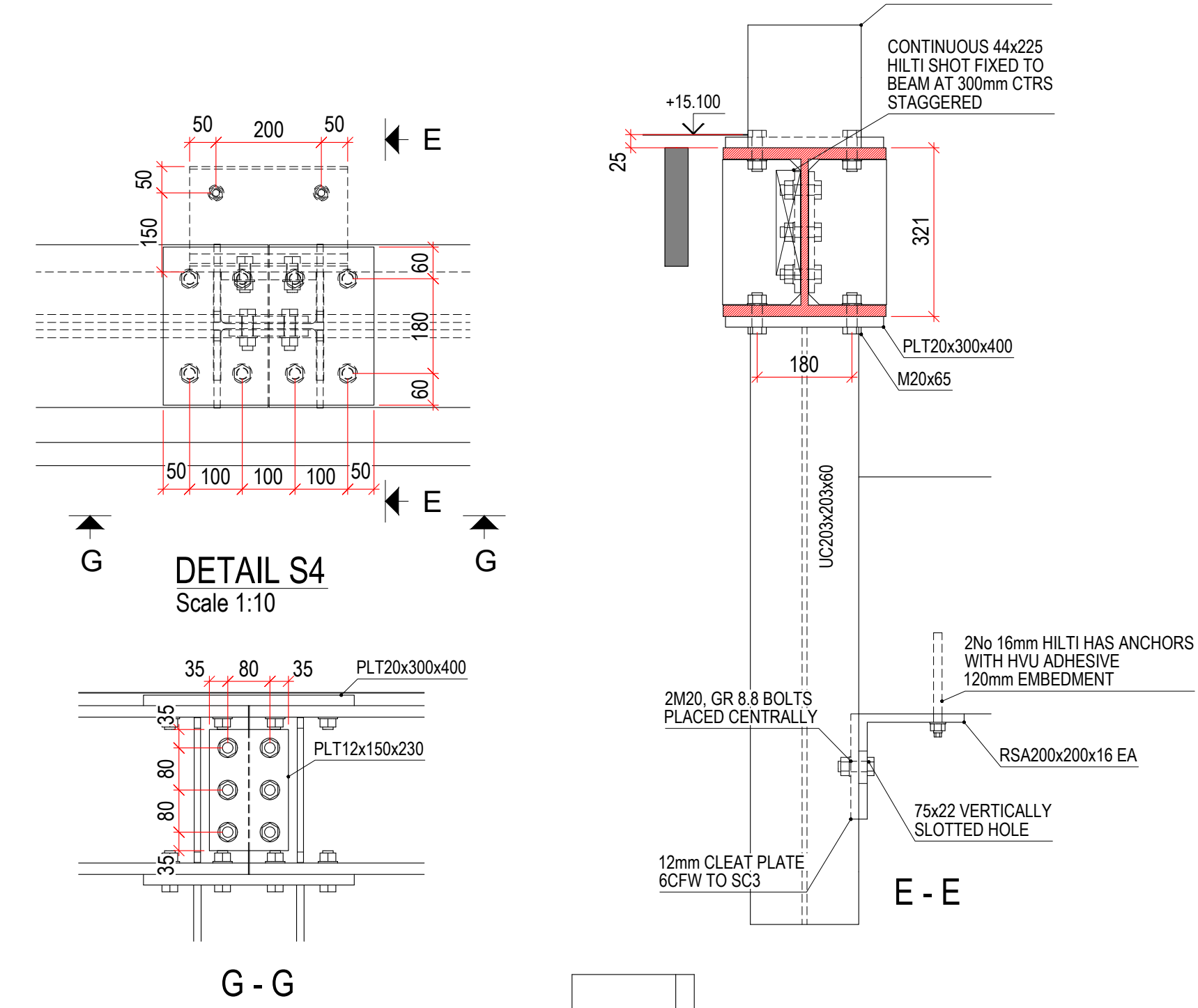
WALL BRACING 4
Scale 1:15



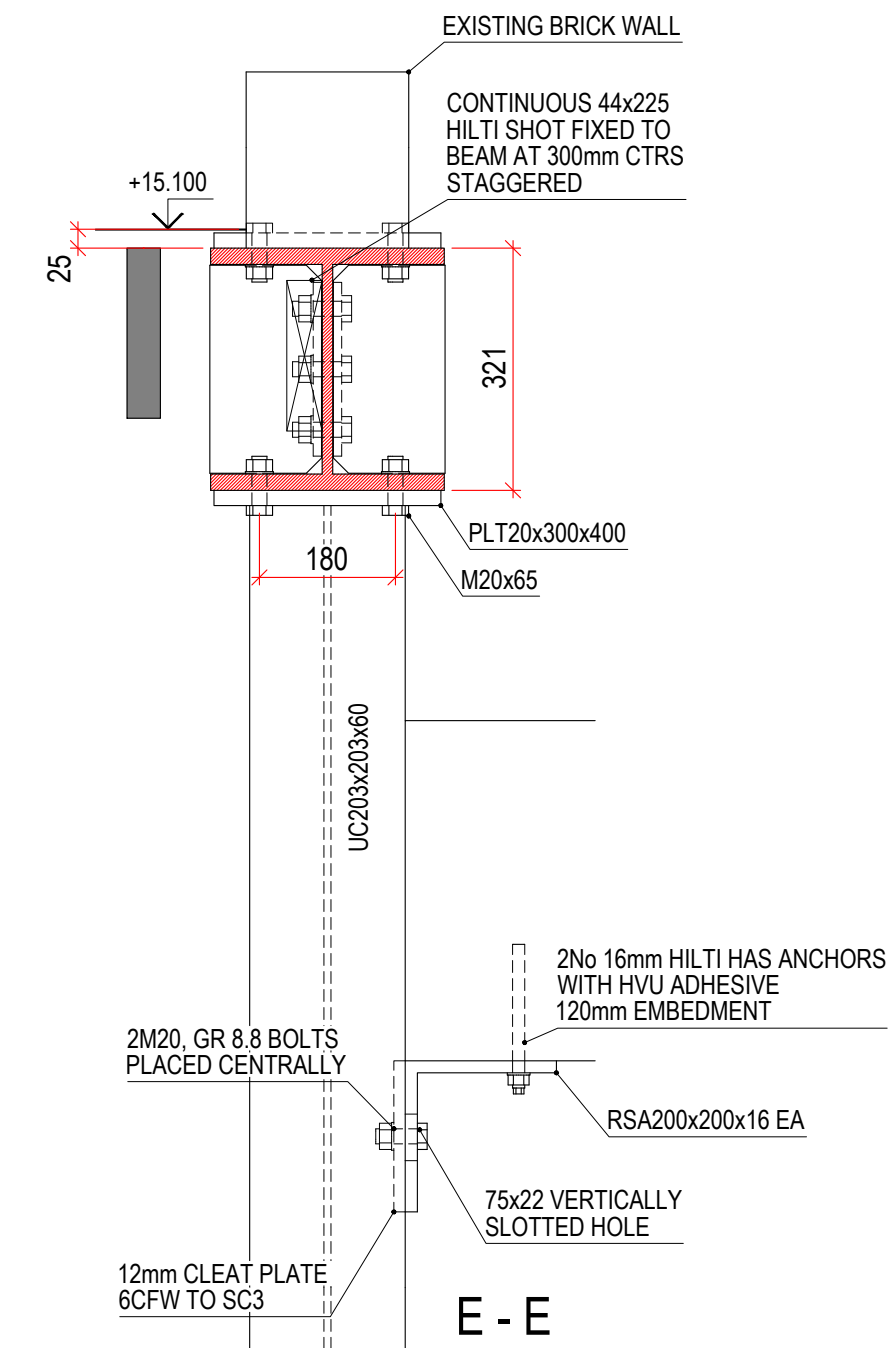
DETAIL S1
Scale 1:5



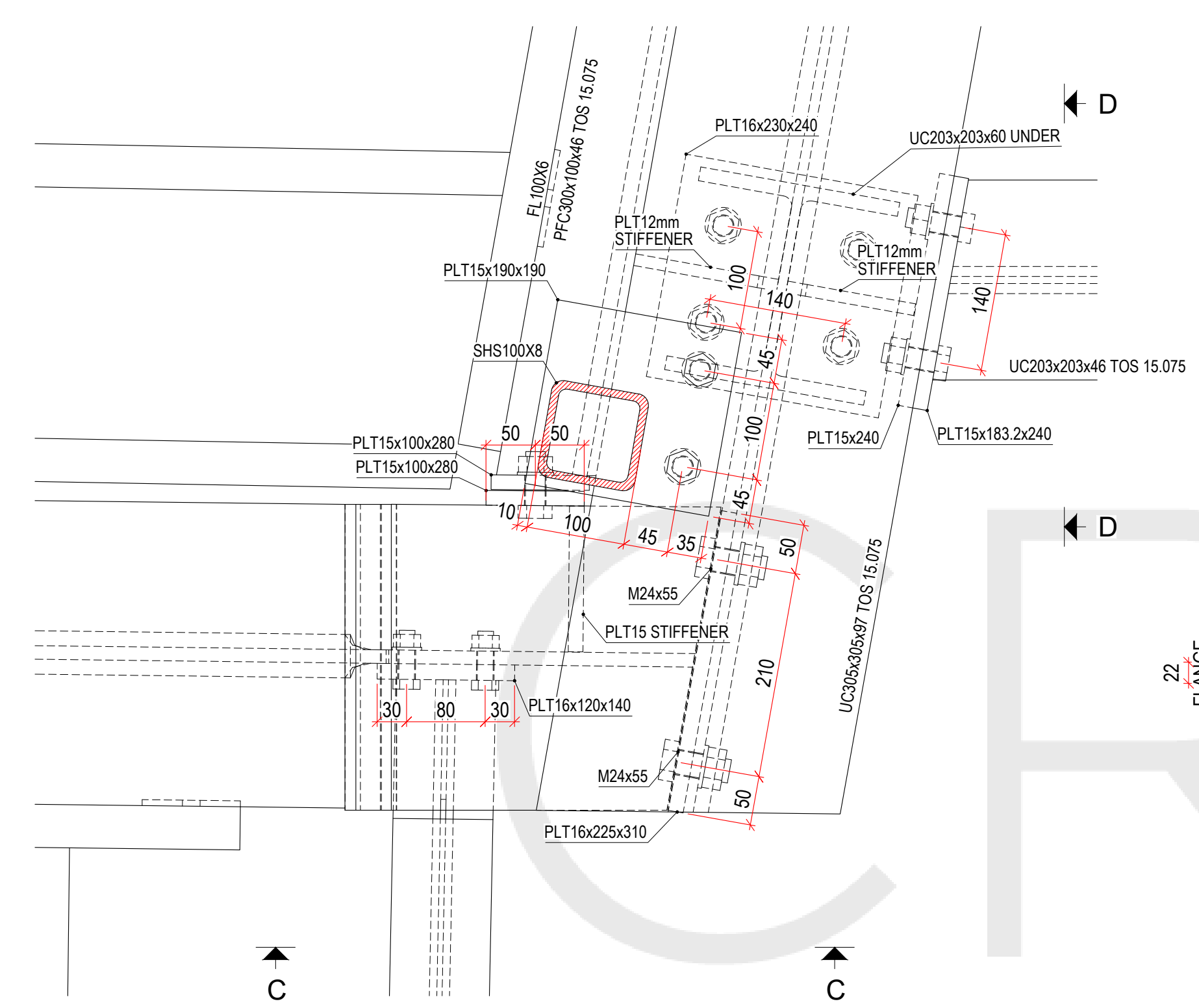
DETAIL S2
Scale 1:5



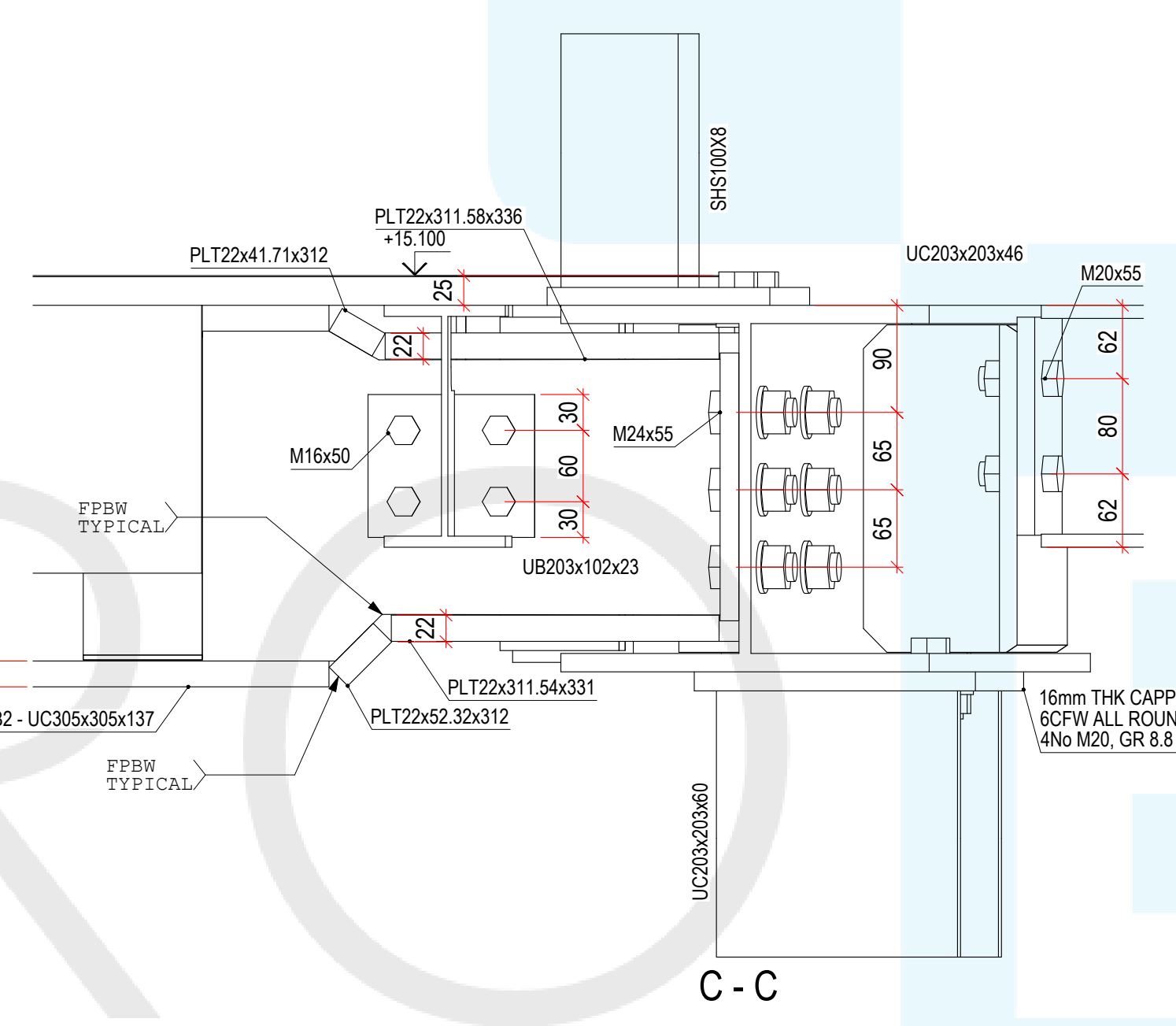
DETAIL S4
Scale 1:10



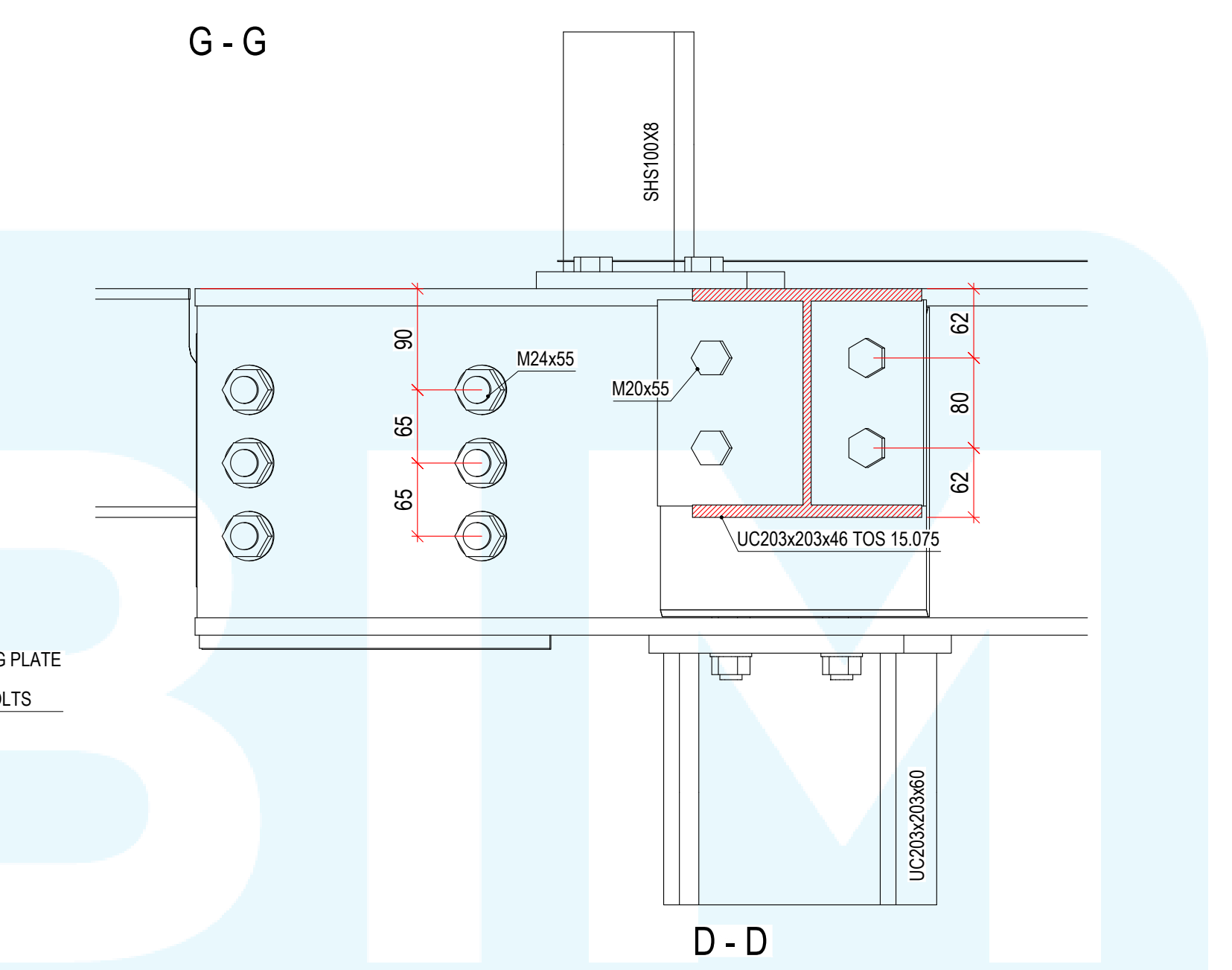
E - E



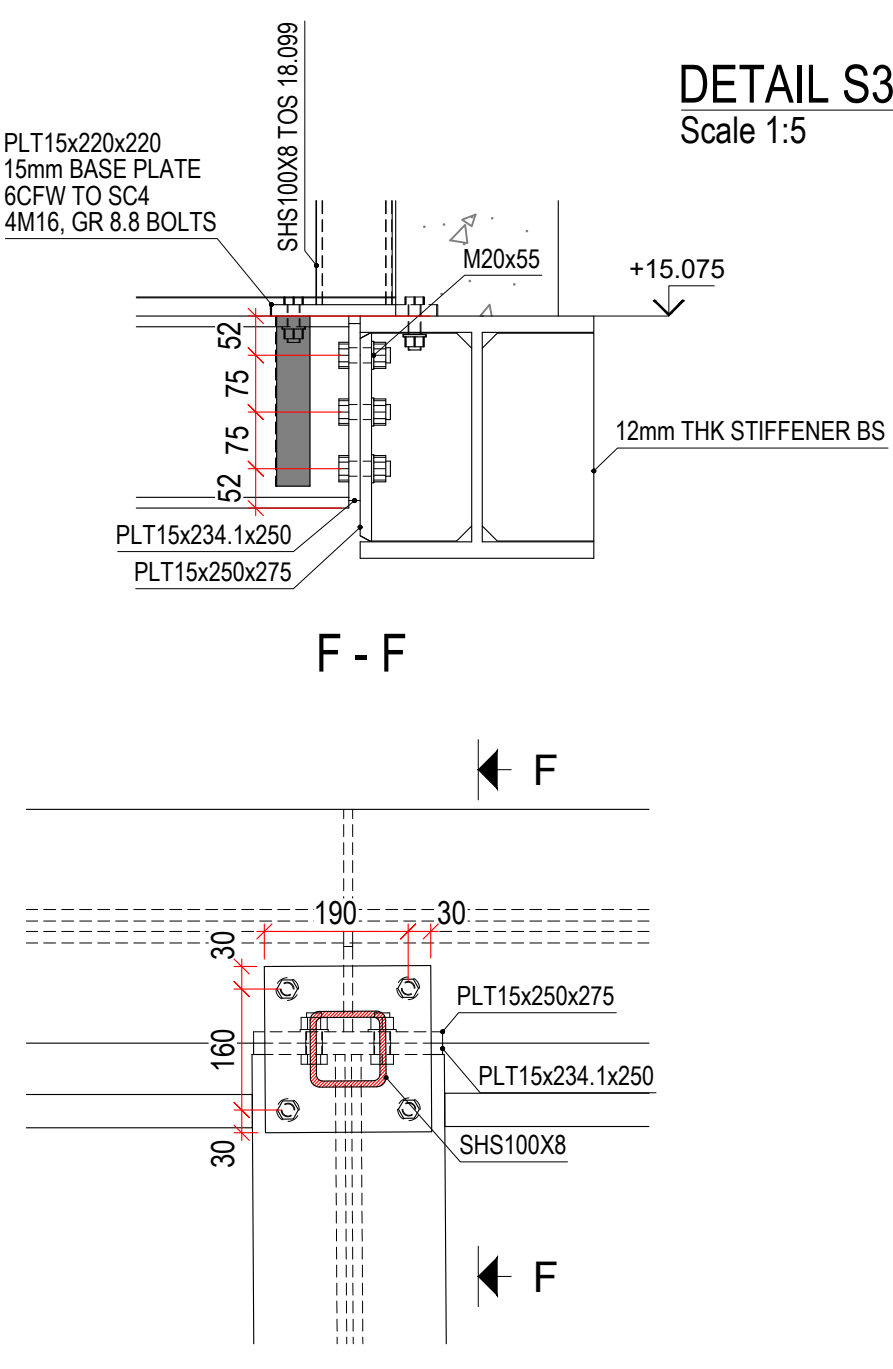
DETAIL S3
Scale 1:5



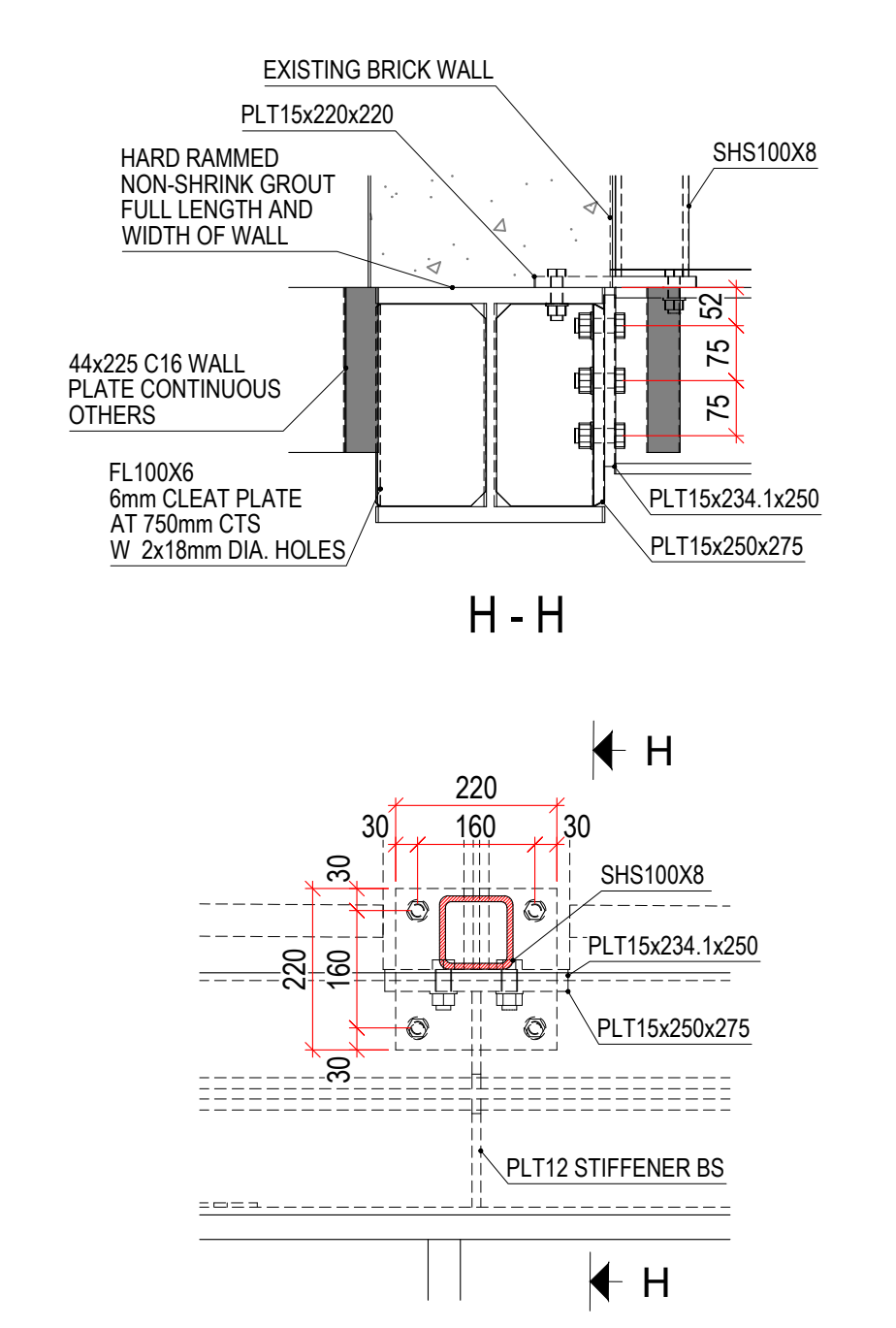
DETAIL S5a
Scale 1:10



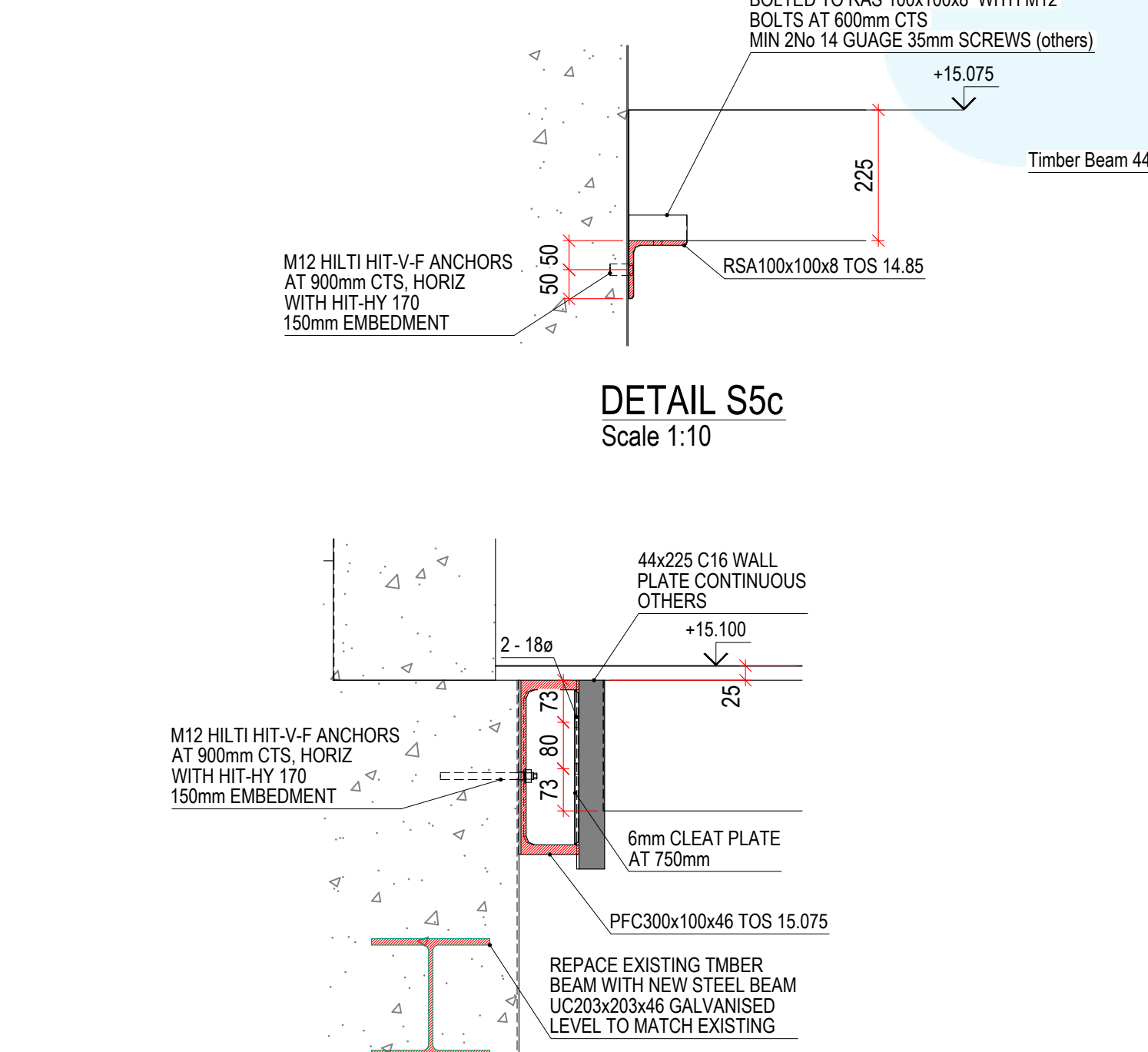
DETAIL S5b
Scale 1:10



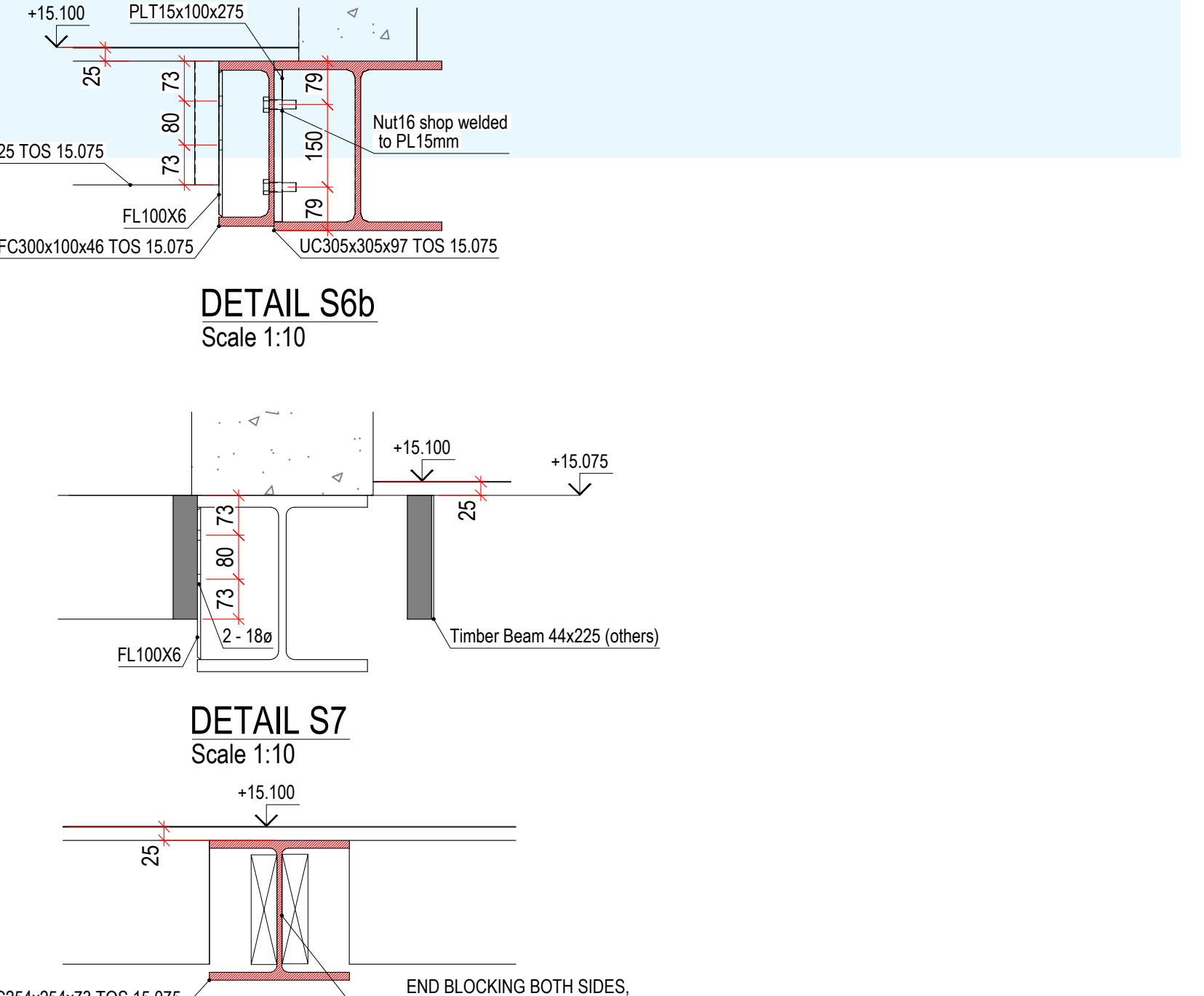
DETAIL S5c
Scale 1:10



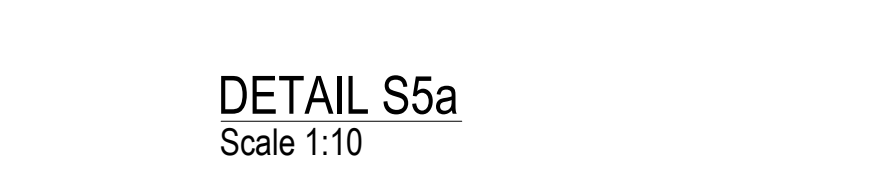
DETAIL S5d
Scale 1:10



DETAIL S5e
Scale 1:10



DETAIL S5f
Scale 1:10



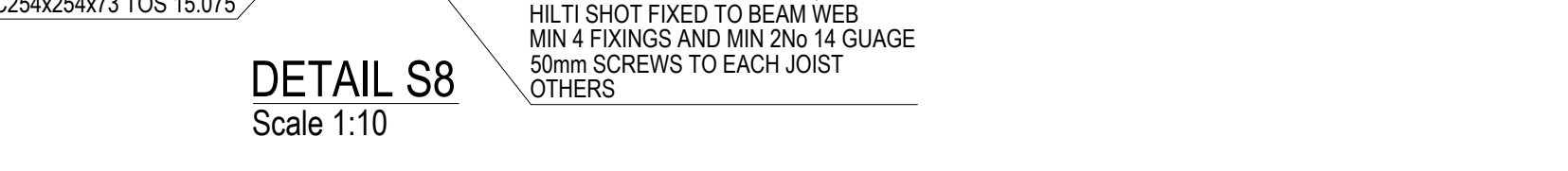
DETAIL S5g
Scale 1:10



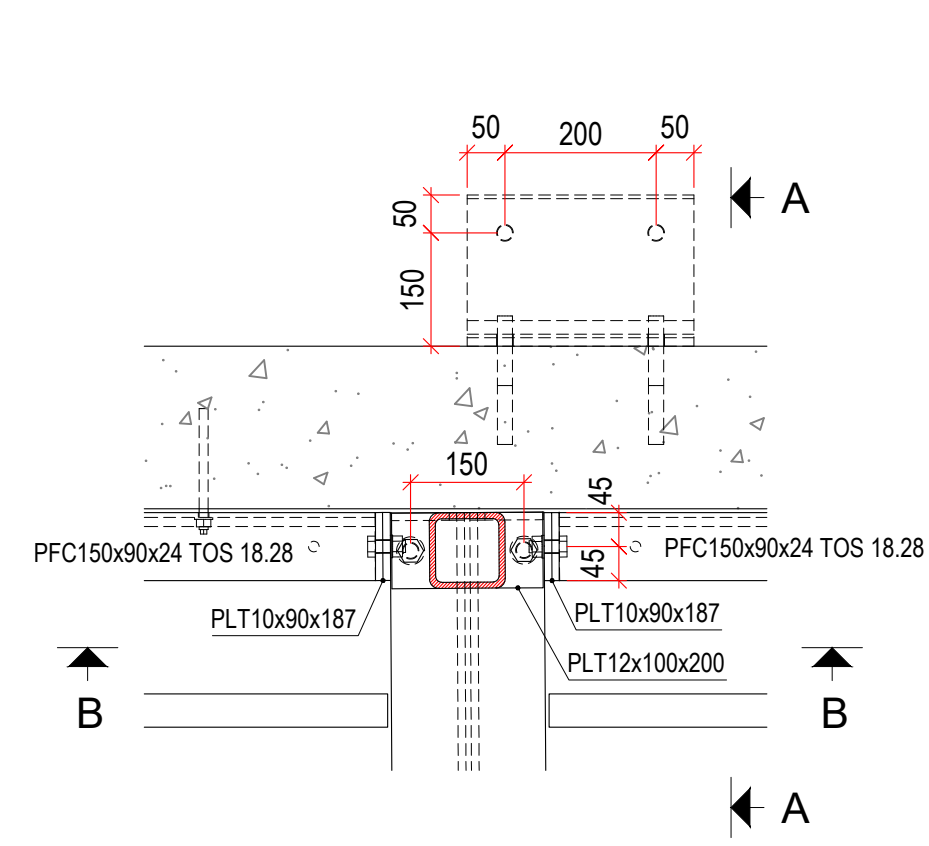
DETAIL S5h
Scale 1:10



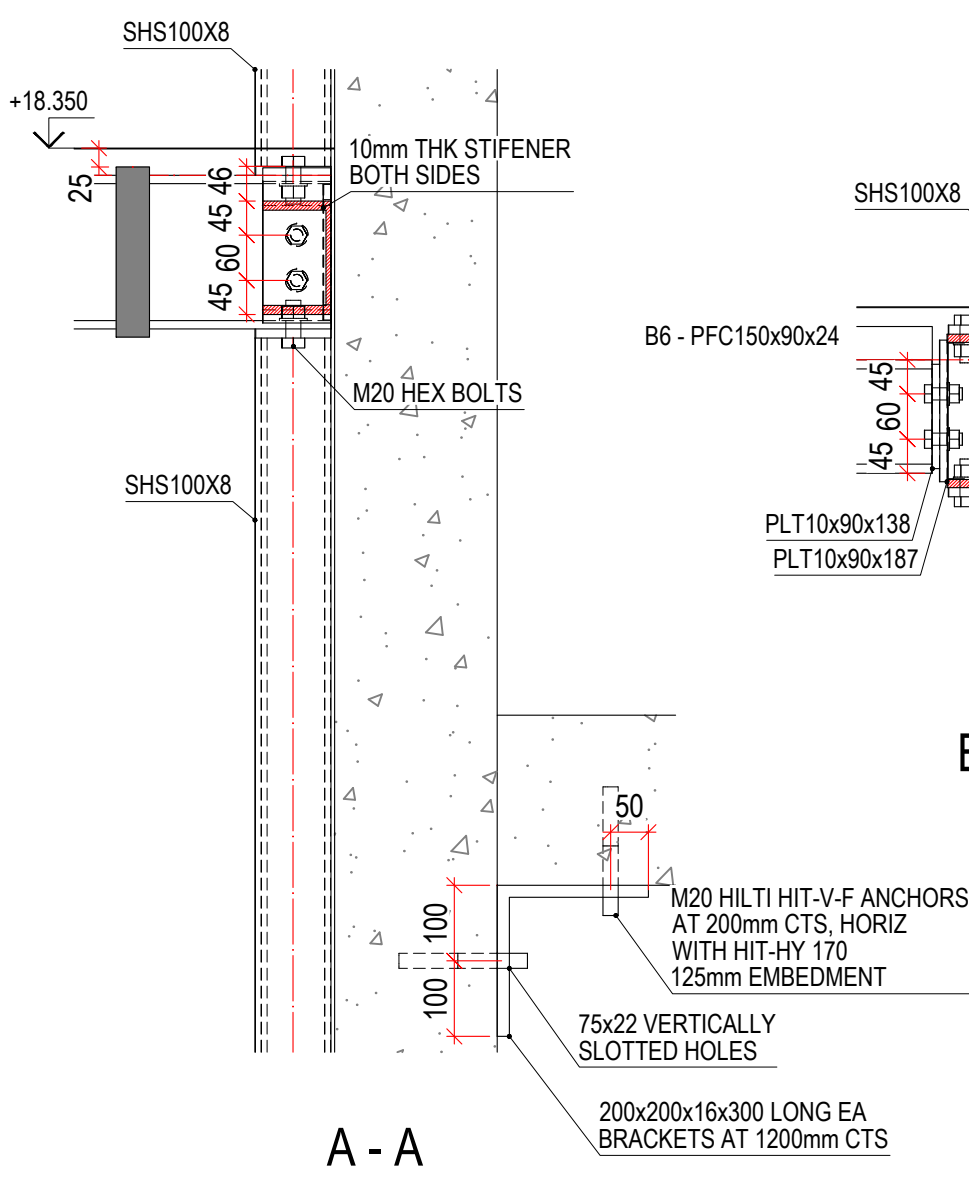
DETAIL S5i
Scale 1:10



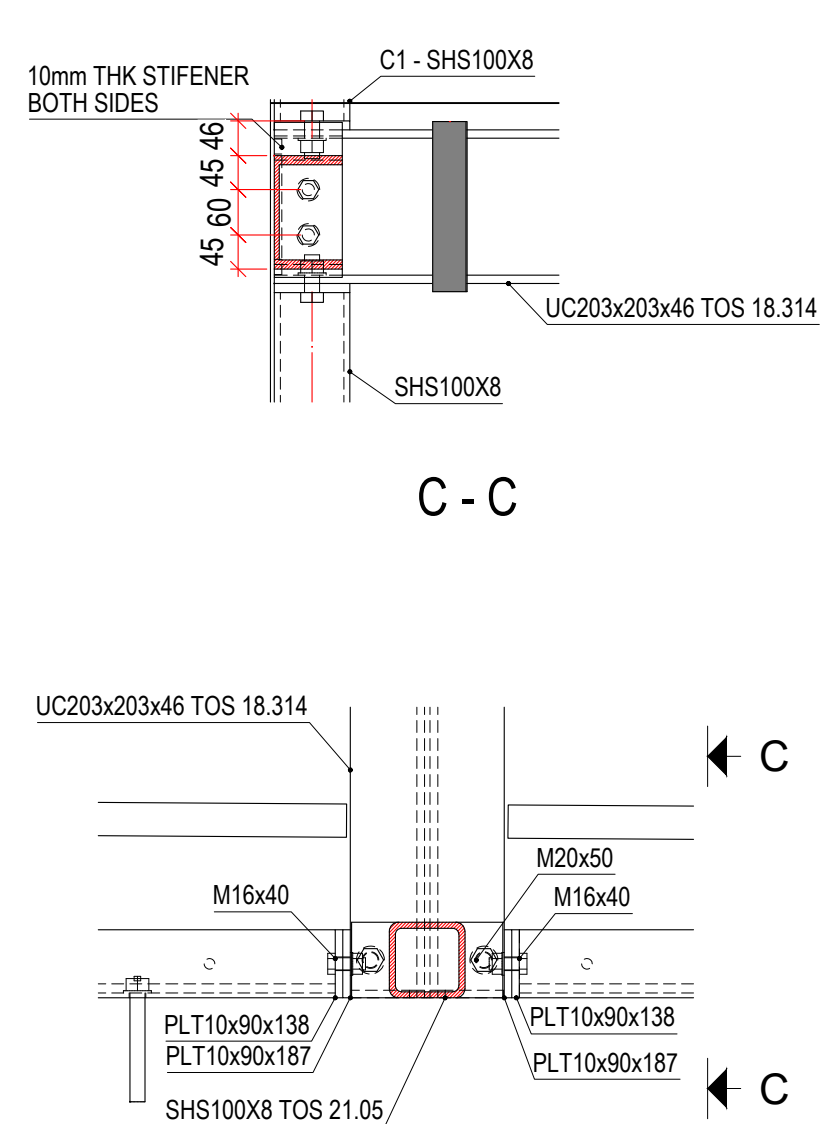
DETAIL S5j
Scale 1:10



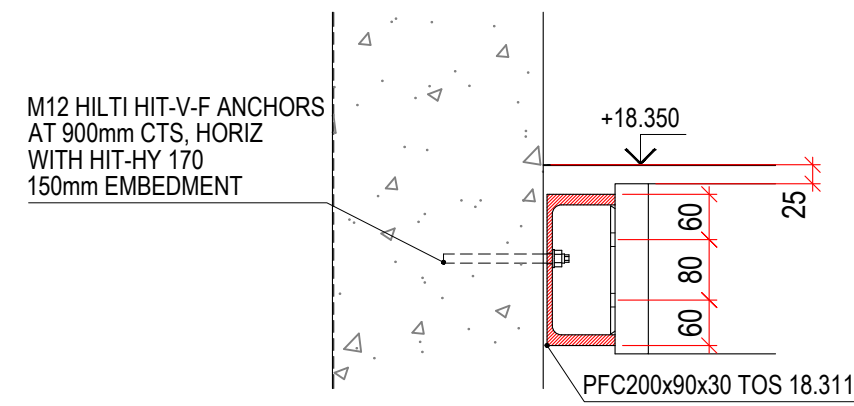
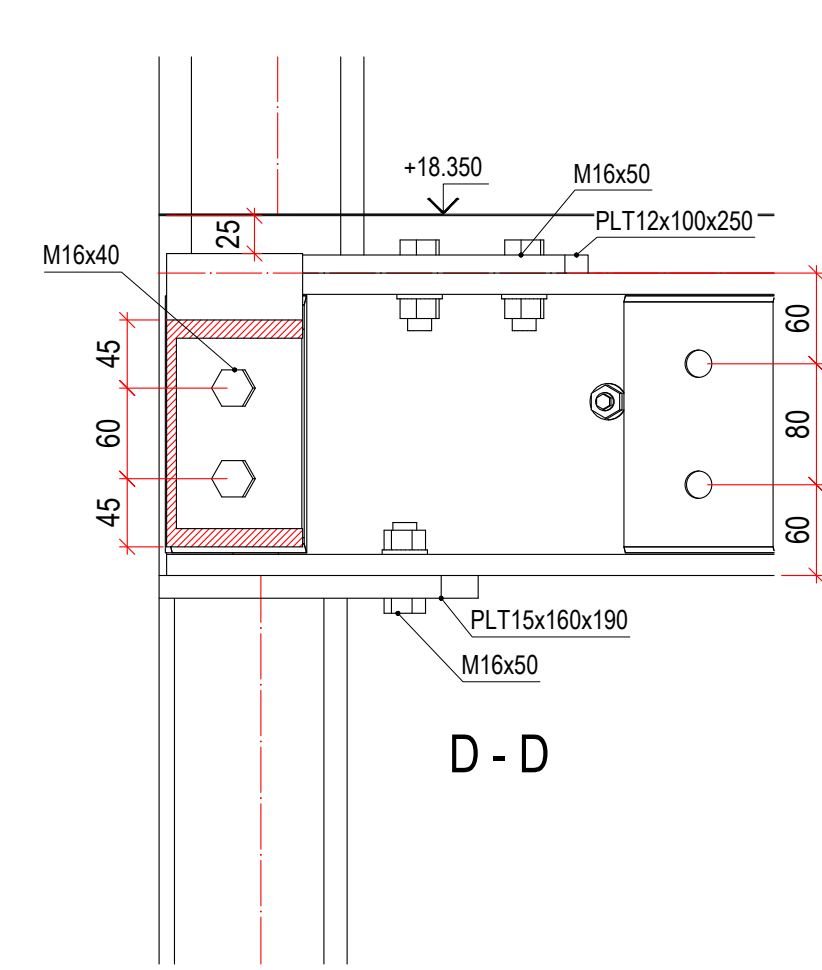
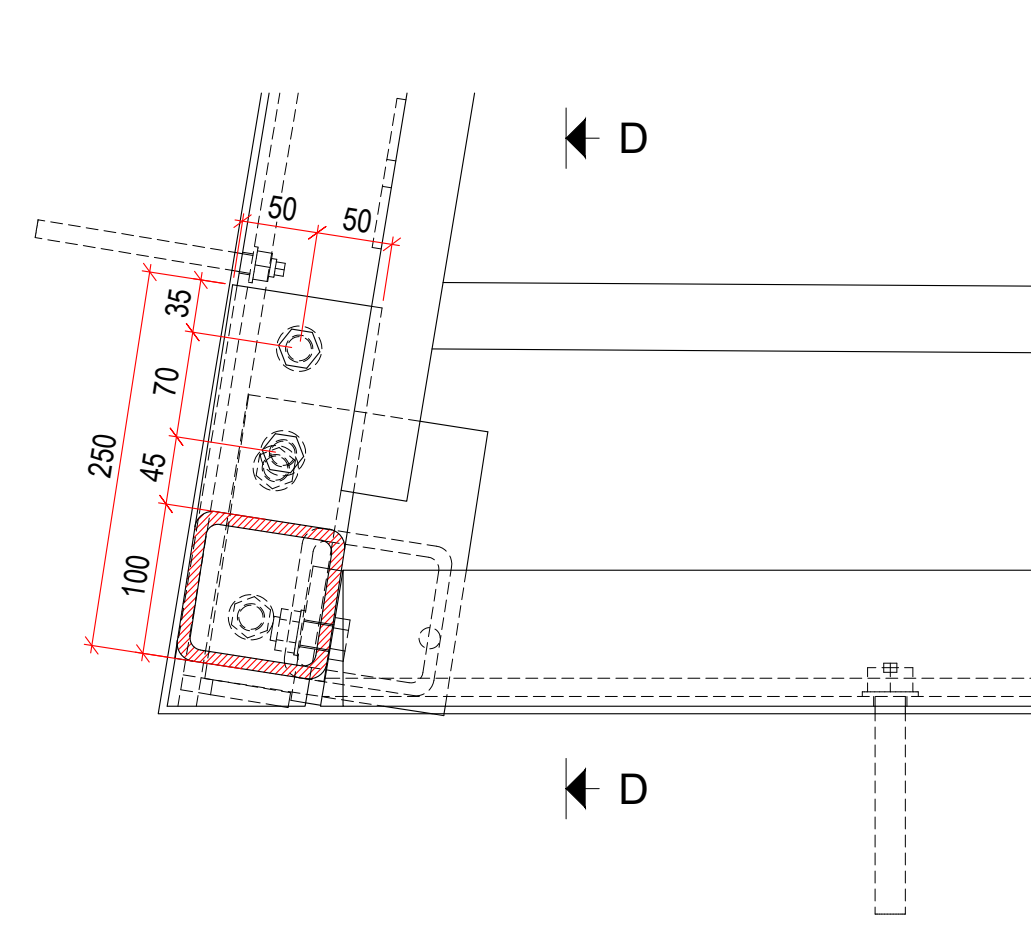
DETAIL S9a
Scale 1:10



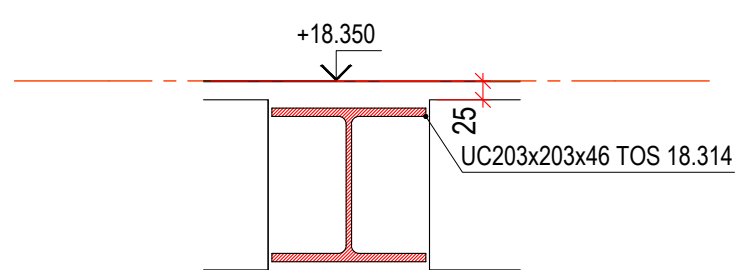
DETAIL S9b
Scale 1:10



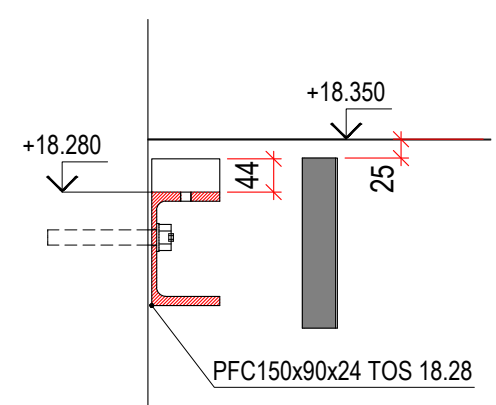
DETAIL S11
Scale 1:5



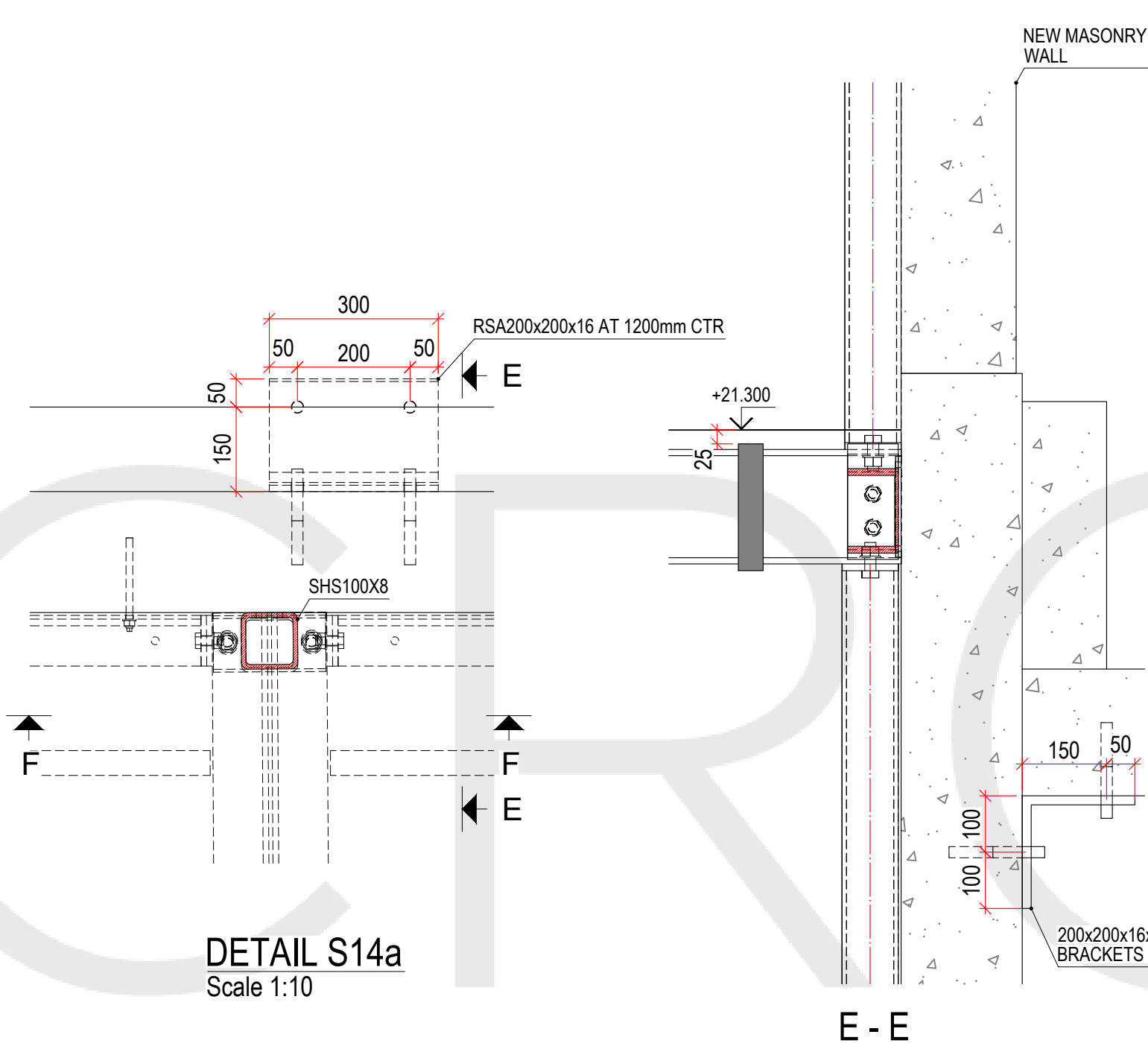
DETAIL S10
Scale 1:10



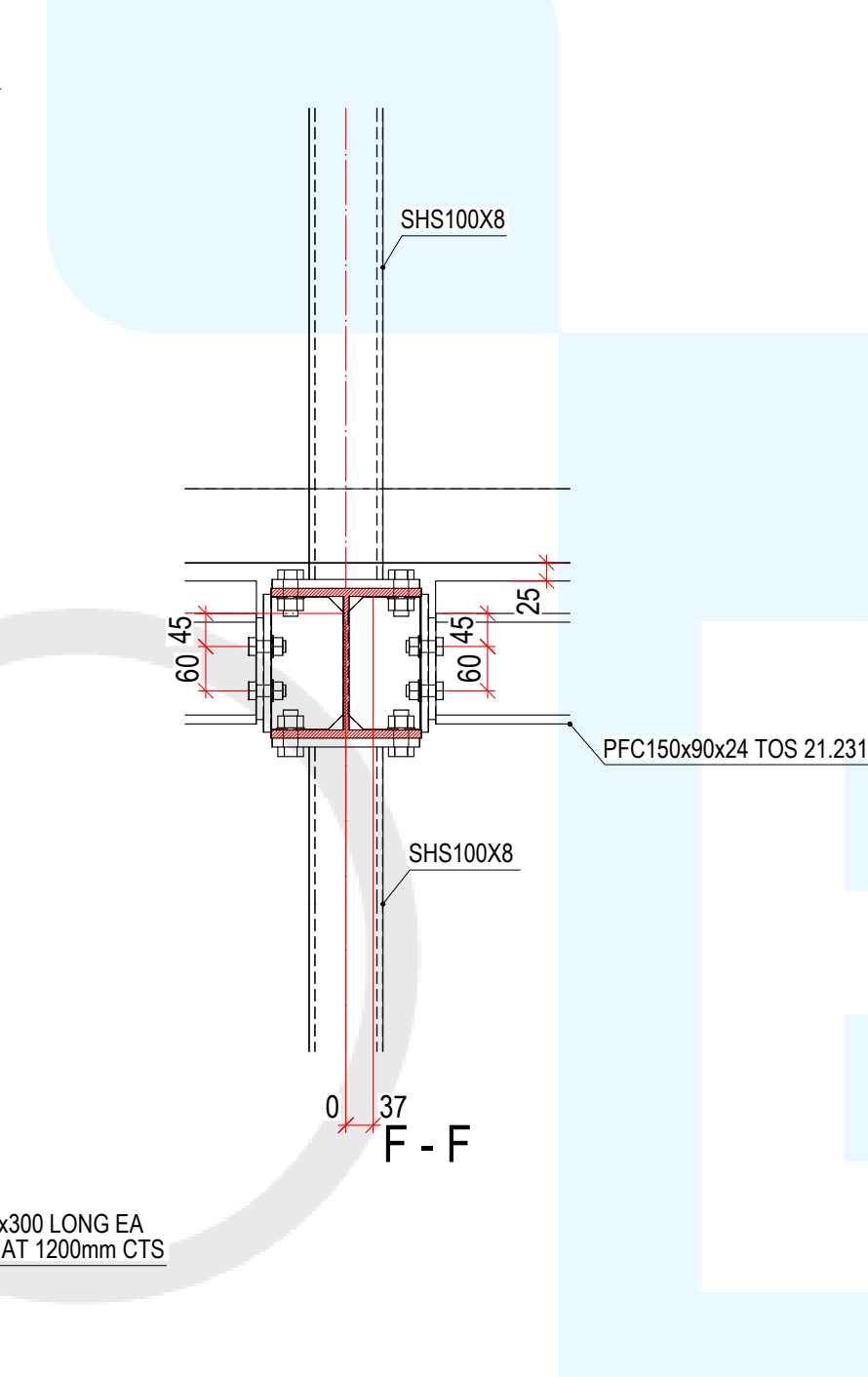
DETAIL S12
Scale 1:10



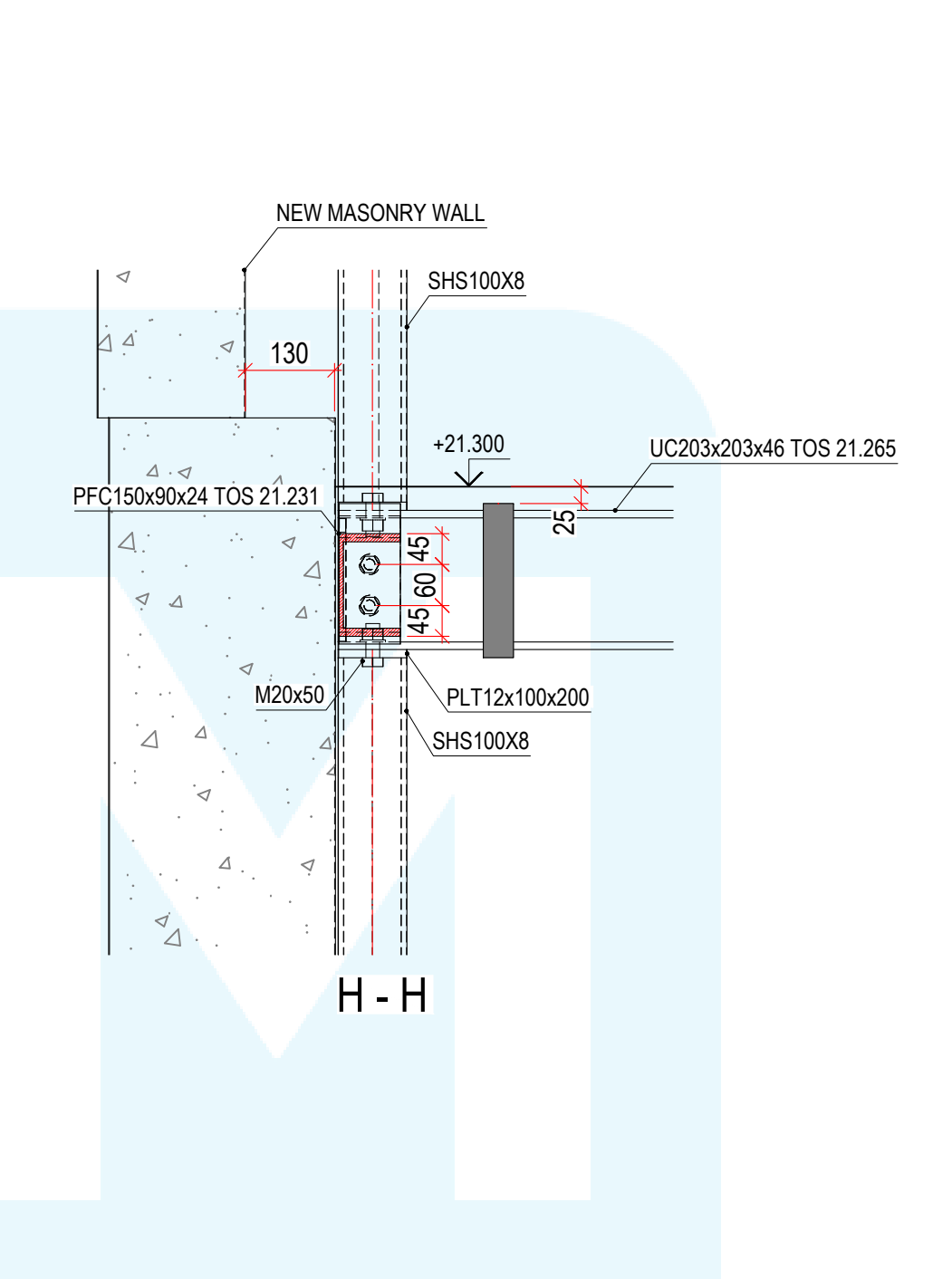
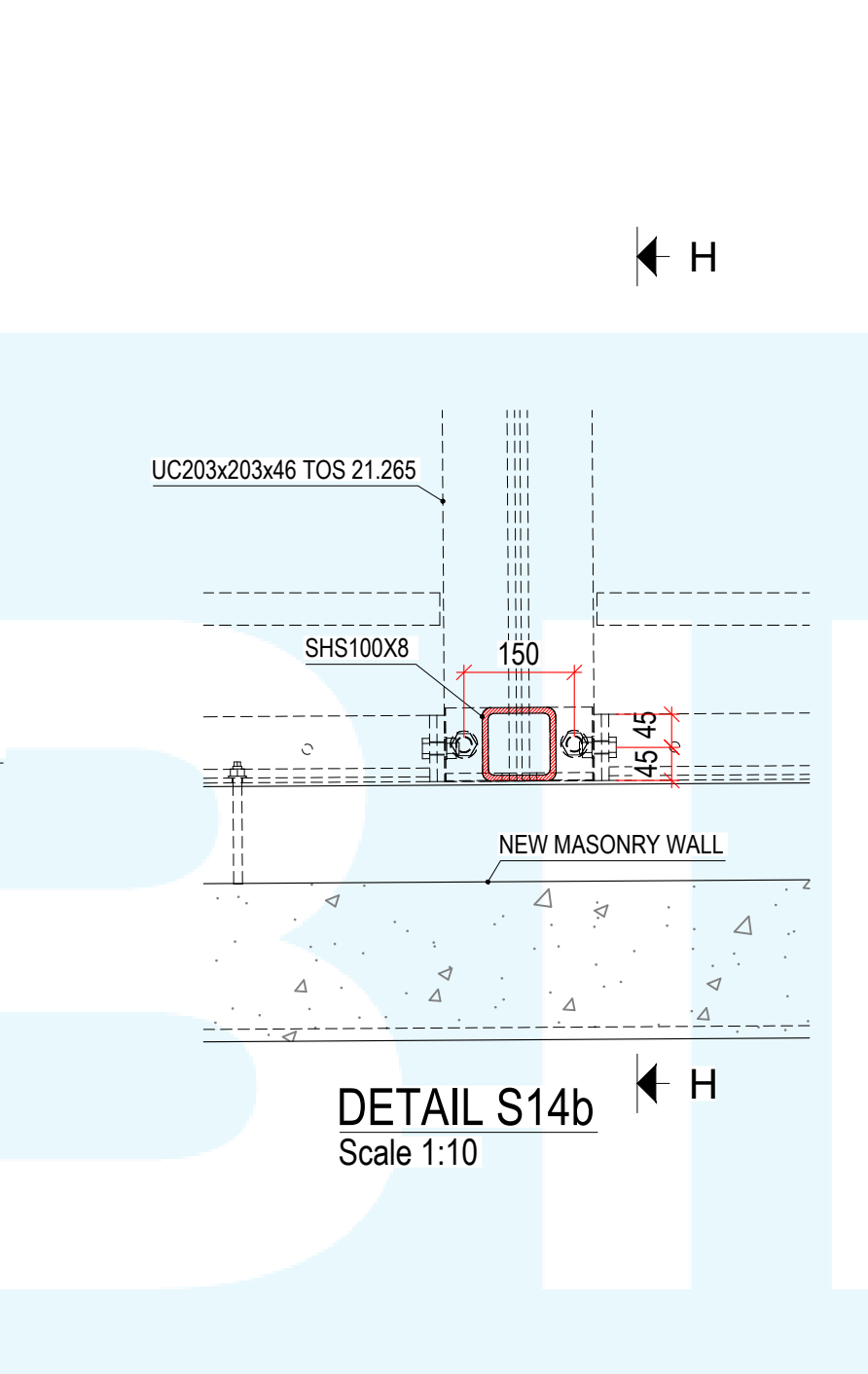
DETAIL S13
Scale 1:10



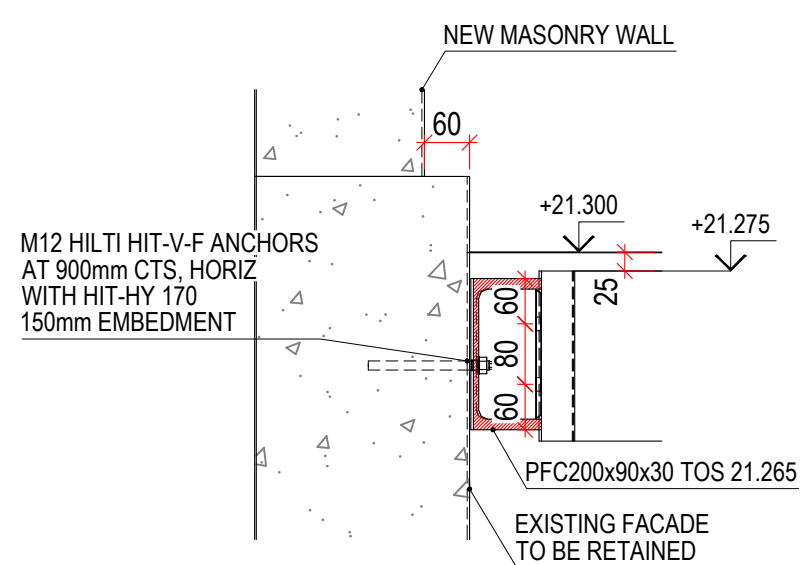
DETAIL S14a
Scale 1:10



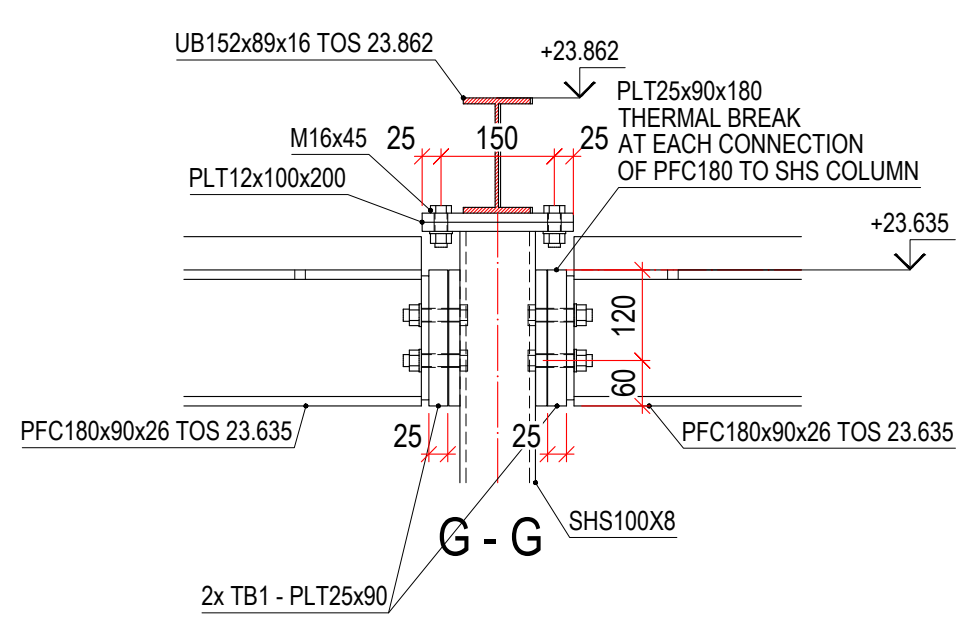
DETAIL S14b
Scale 1:10



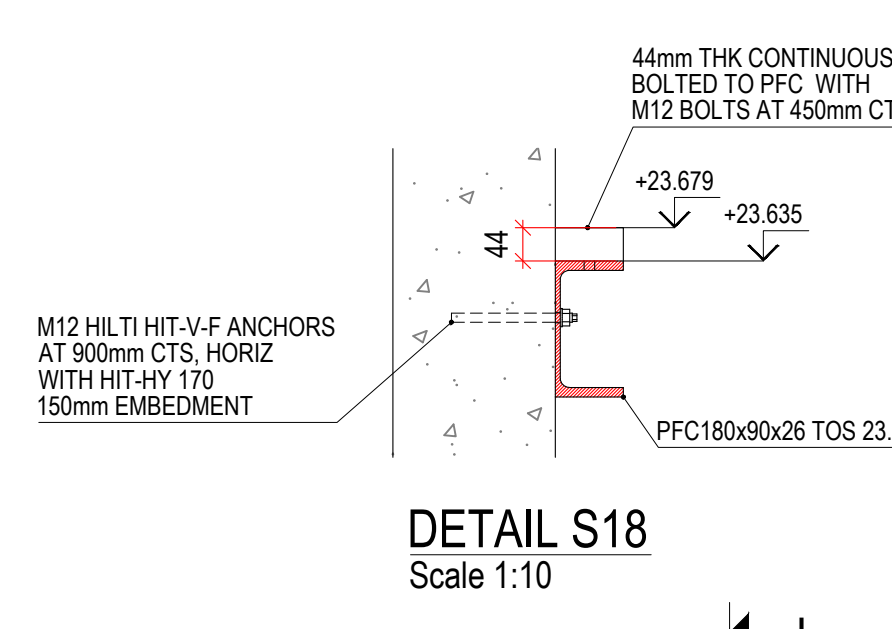
H - H



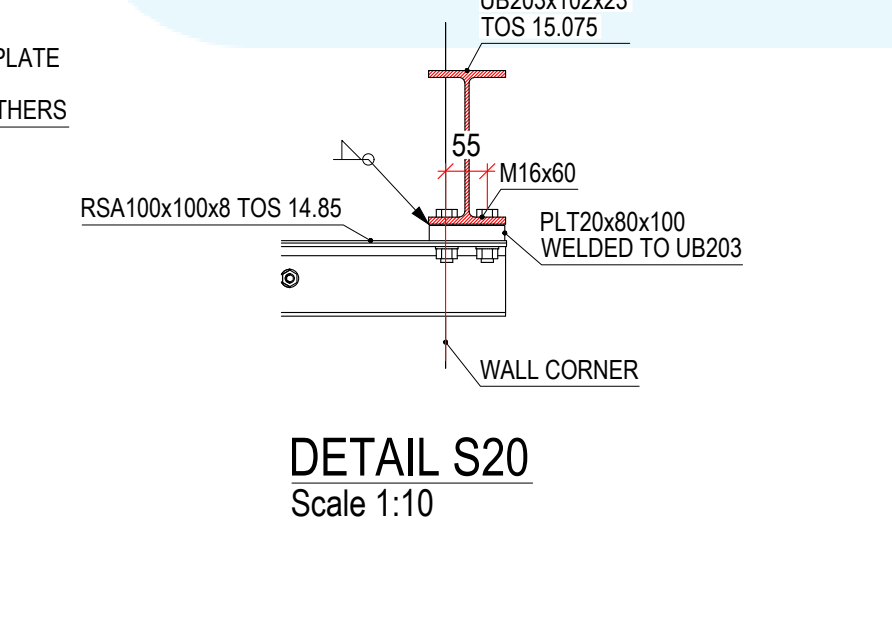
DETAIL S15
Scale 1:10



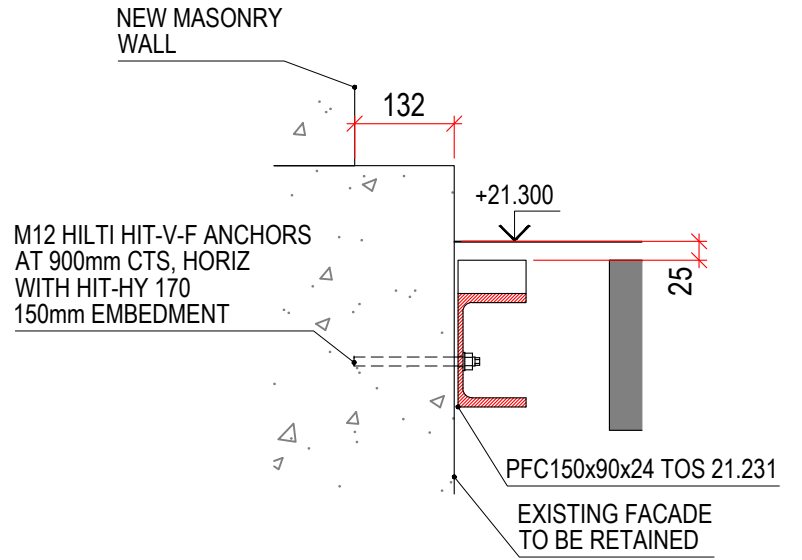
DETAIL S17
Scale 1:10



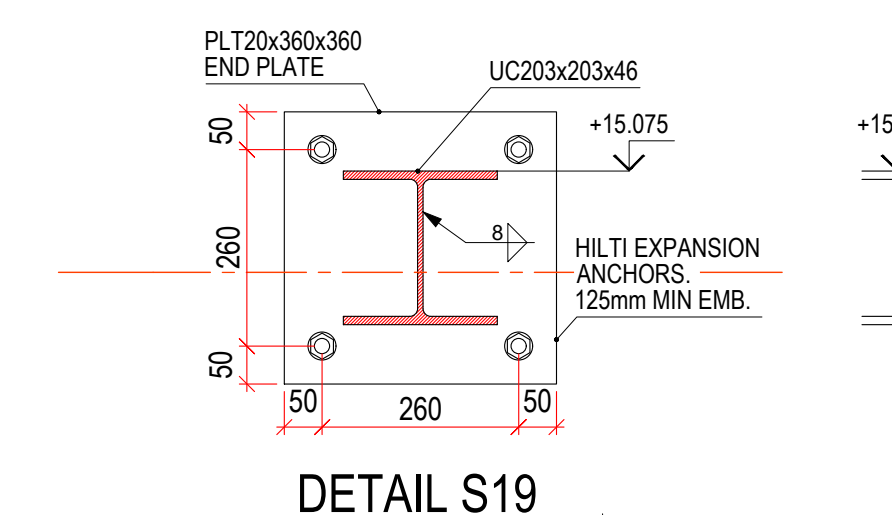
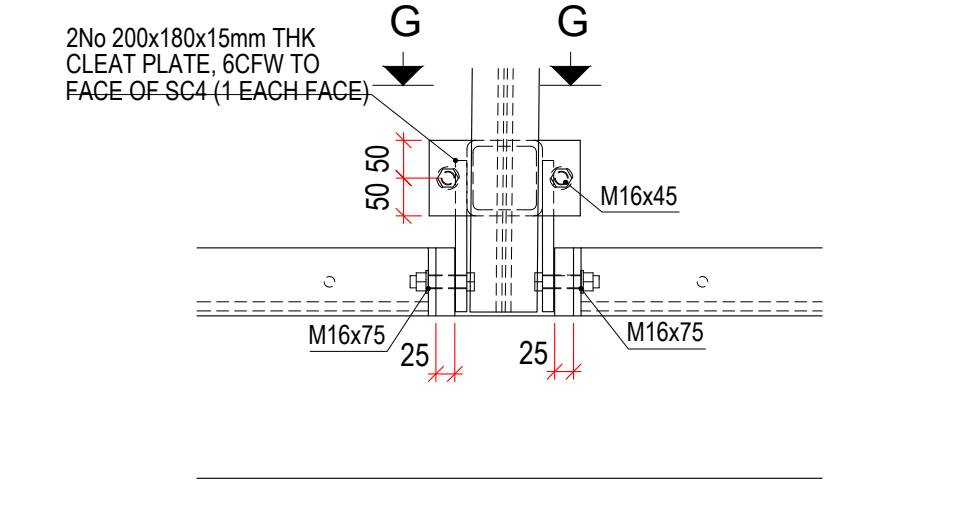
DETAIL S18
Scale 1:10



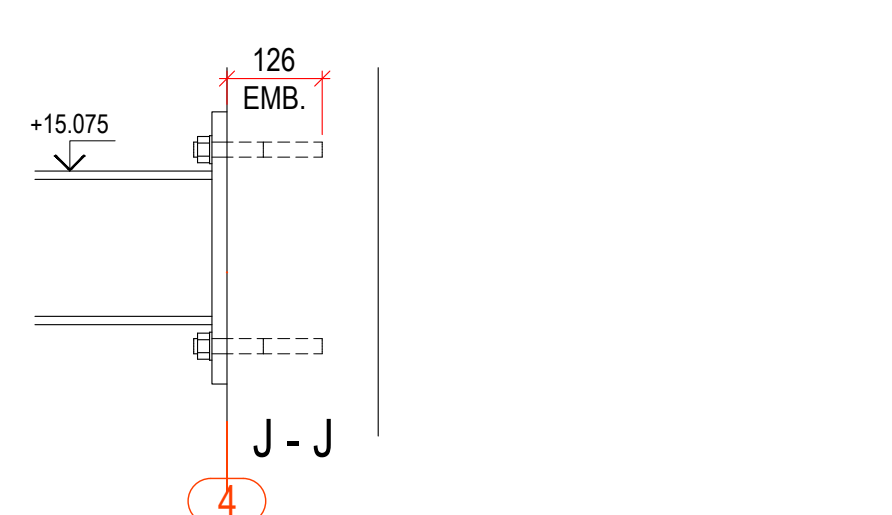
DETAIL S20
Scale 1:10



DETAIL S16
Scale 1:10



DETAIL S19
Scale 1:10



J - J