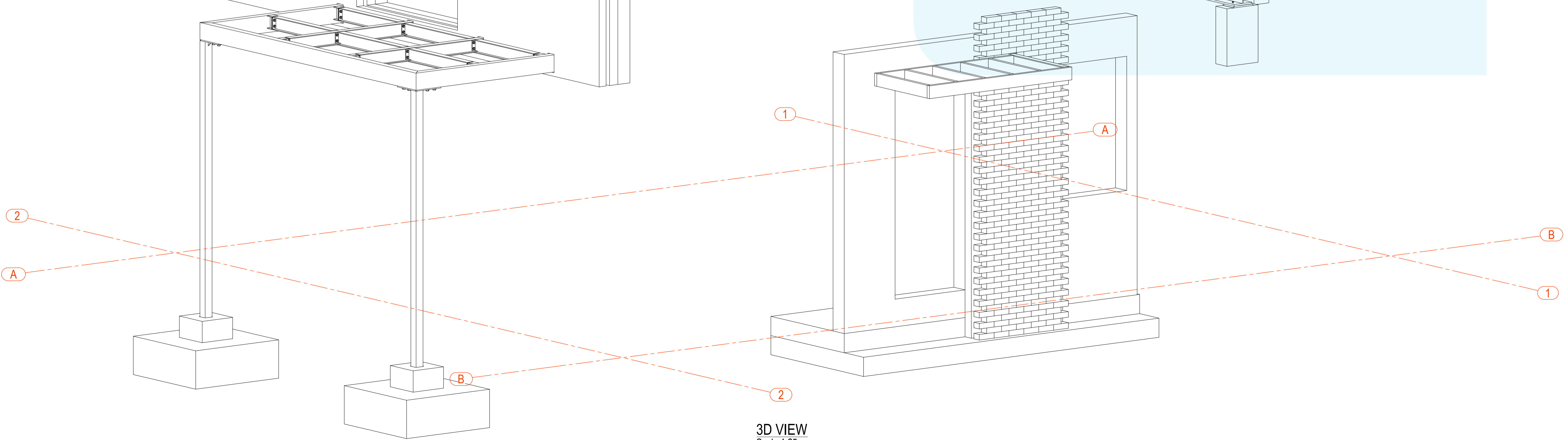
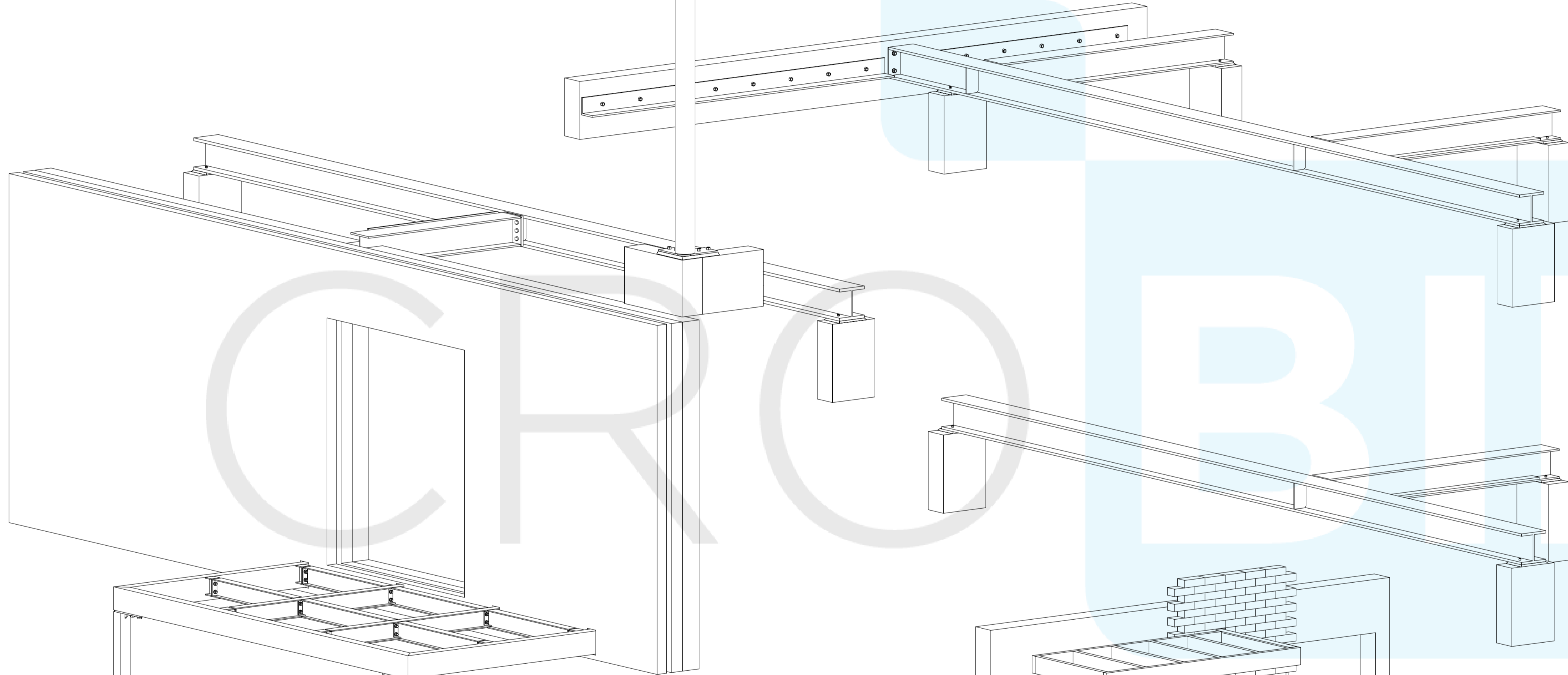
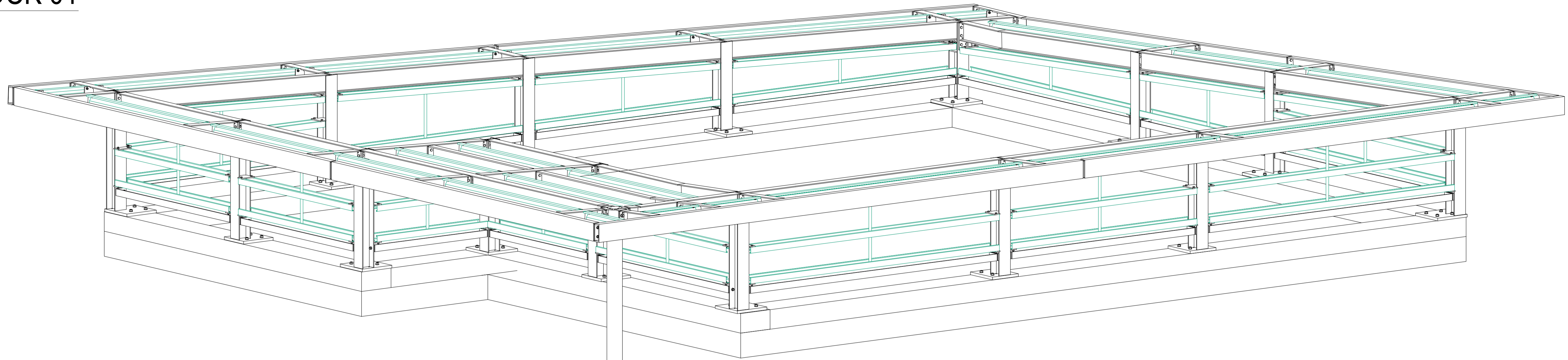
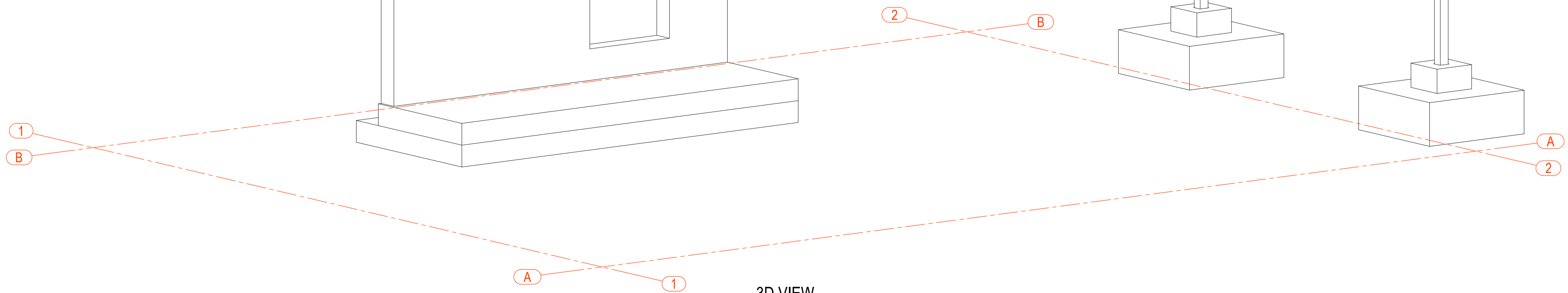
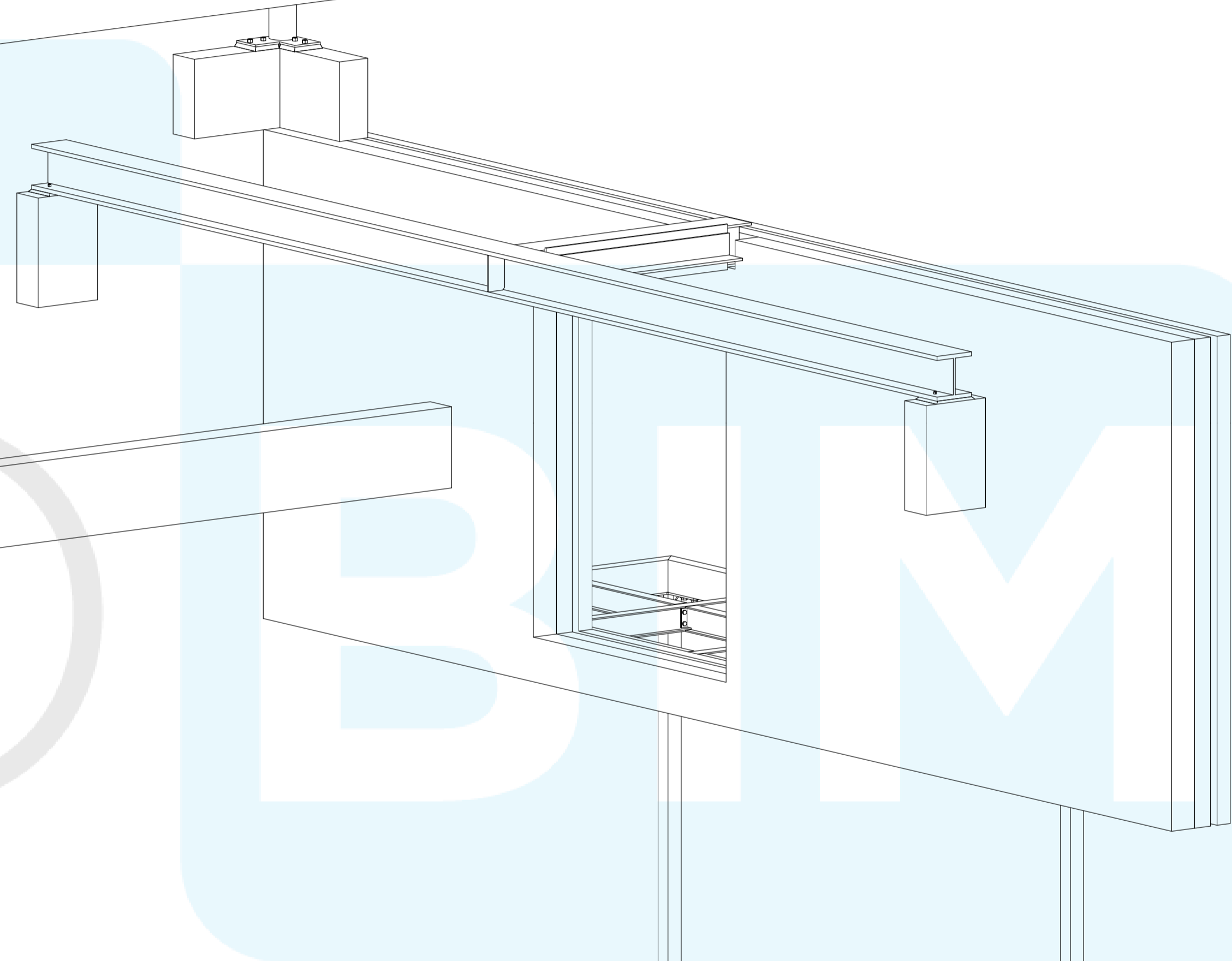
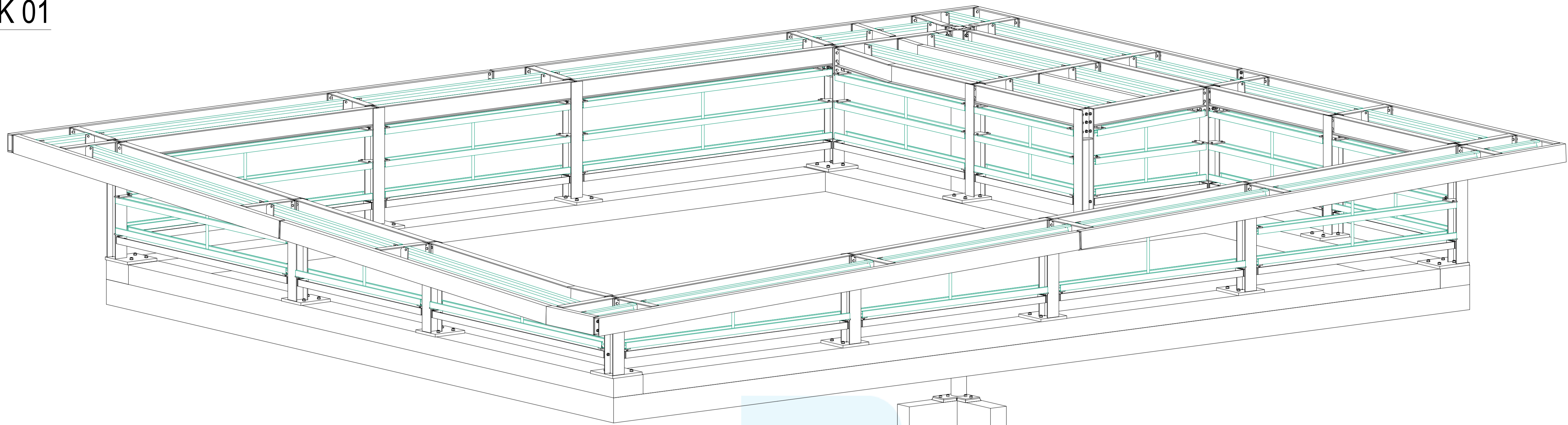


BLOCK 01

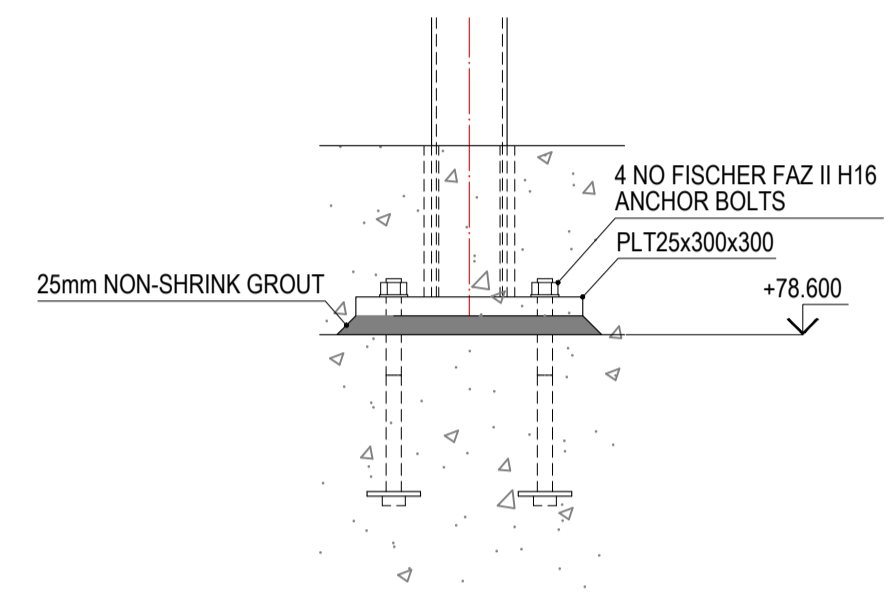
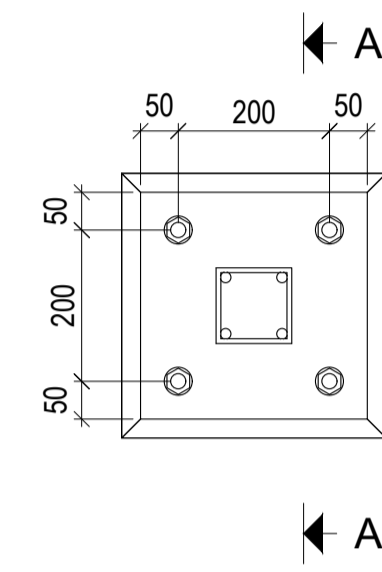
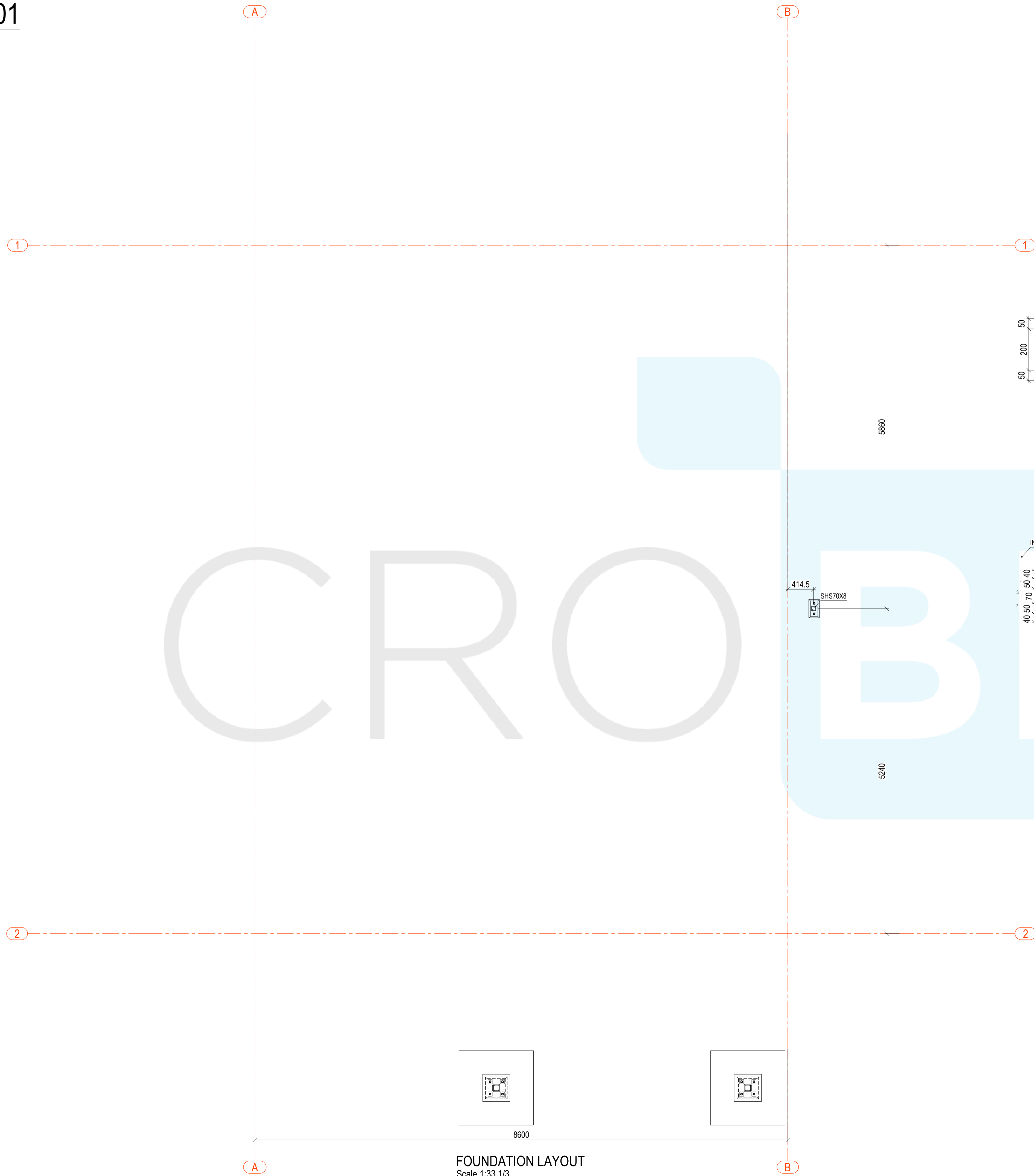


3D VIEW
Scale 1:25

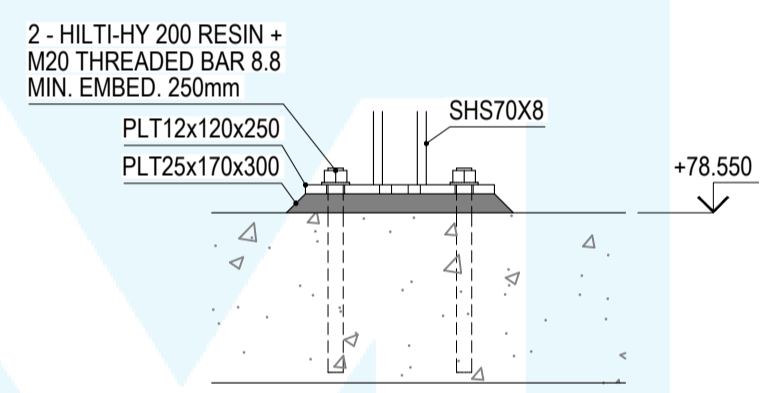
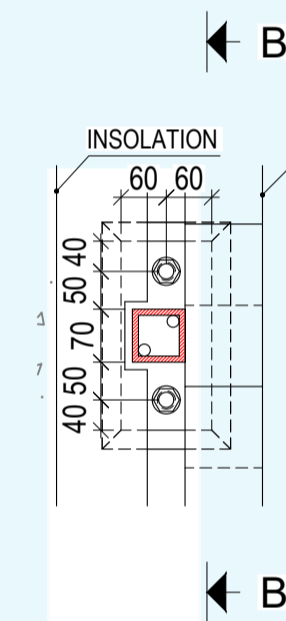
BLOCK 01



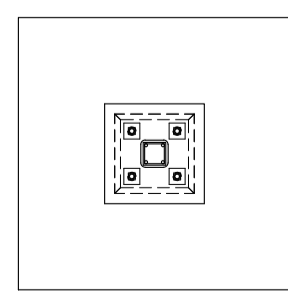
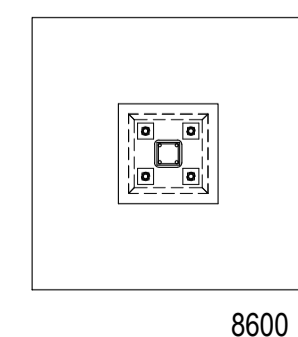
3D VIEW
Scale 1:25



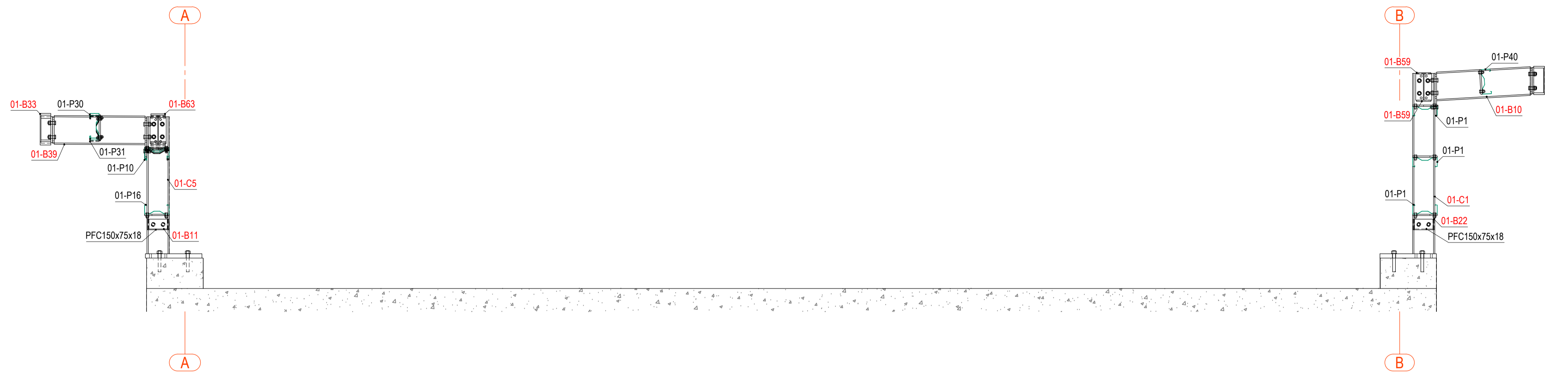
SHS100x6.3 BASEPLATE DETAIL
Scale 1:10



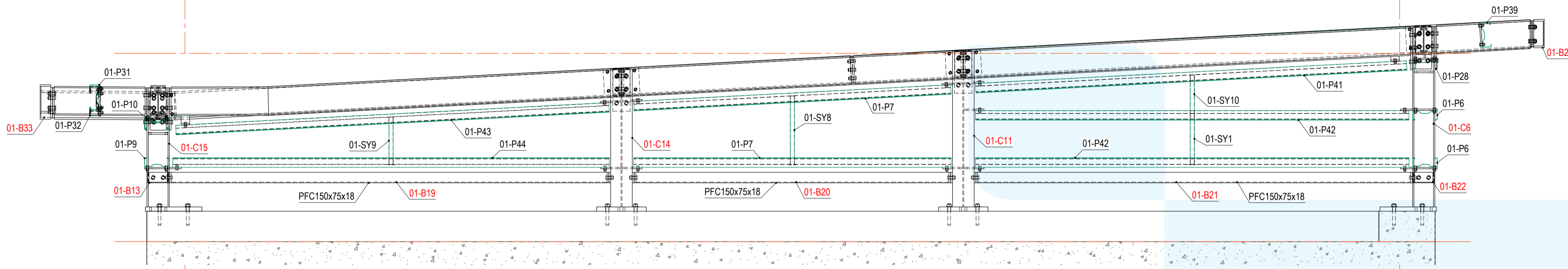
SHS70x8 BASEPLATE DETAIL
Scale 1:10



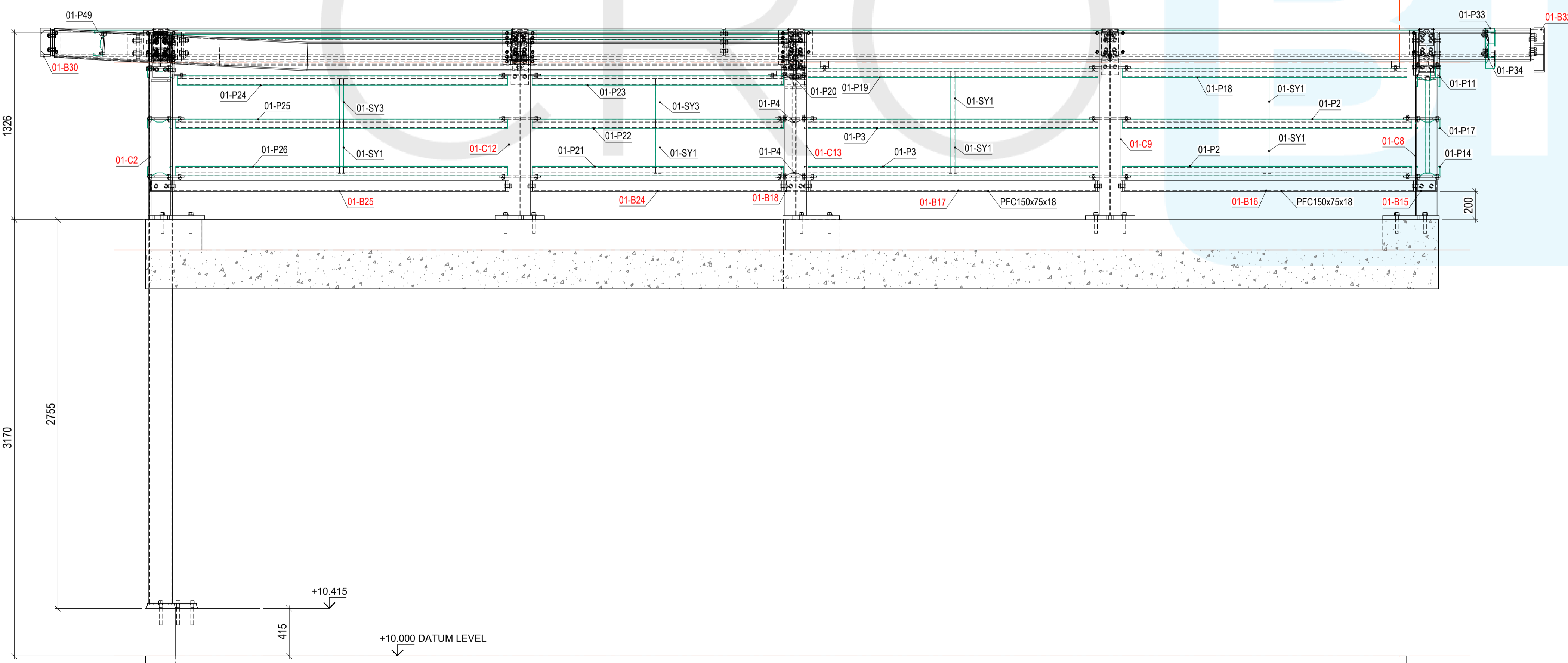
FOUNDATION LAYOUT
Scale 1:33 1/3



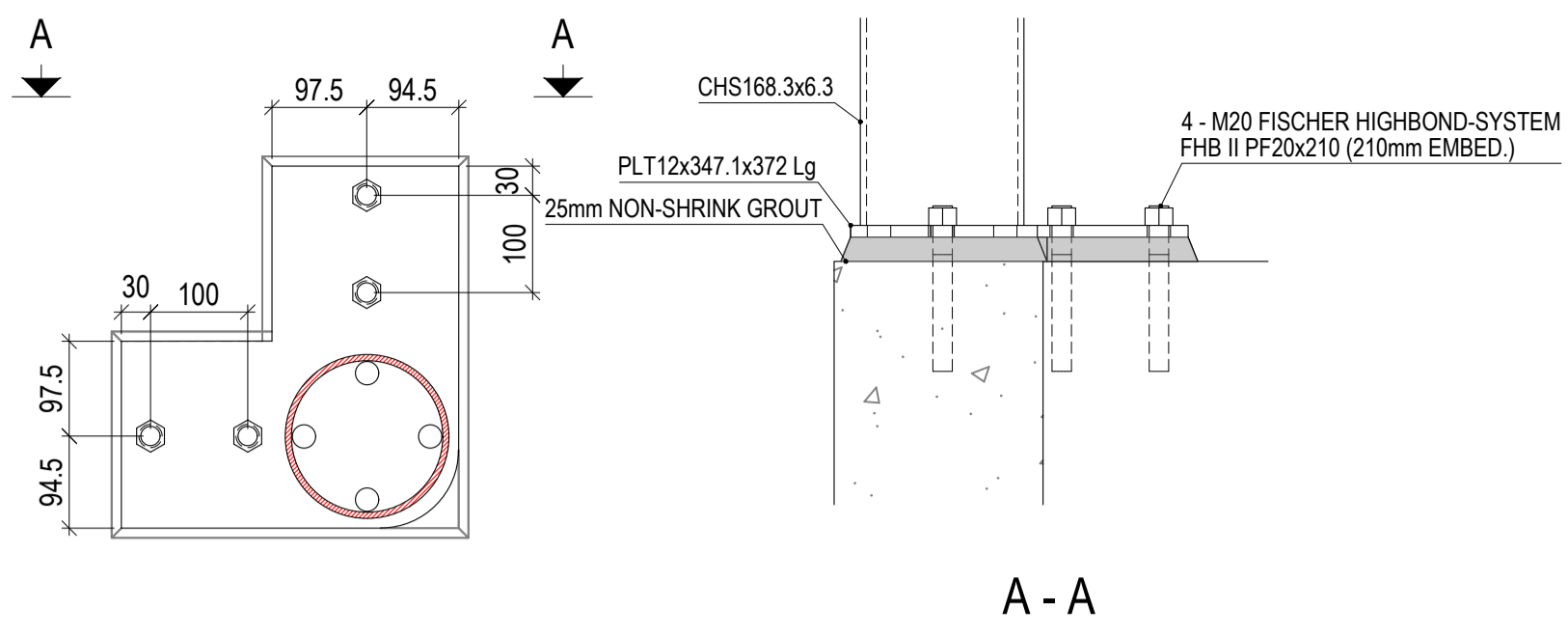
SECTION 1-1
Scale: 1:20



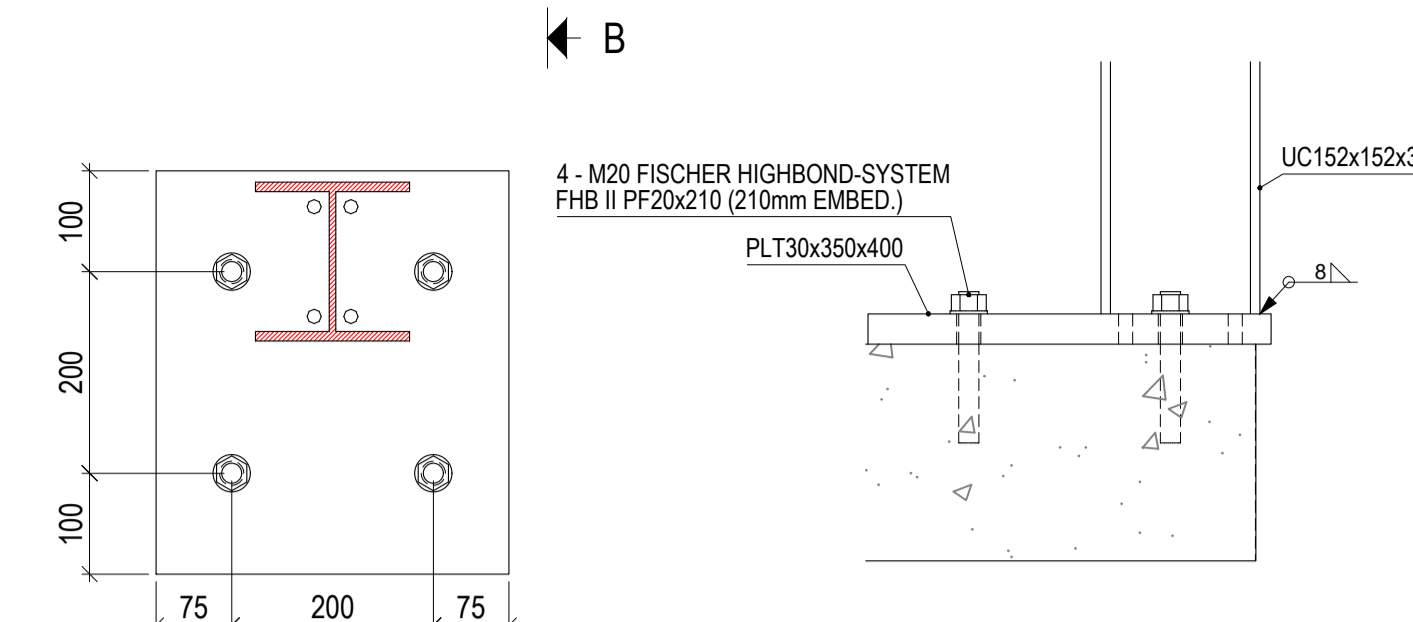
SECTION 2-2
Scale: 1:20



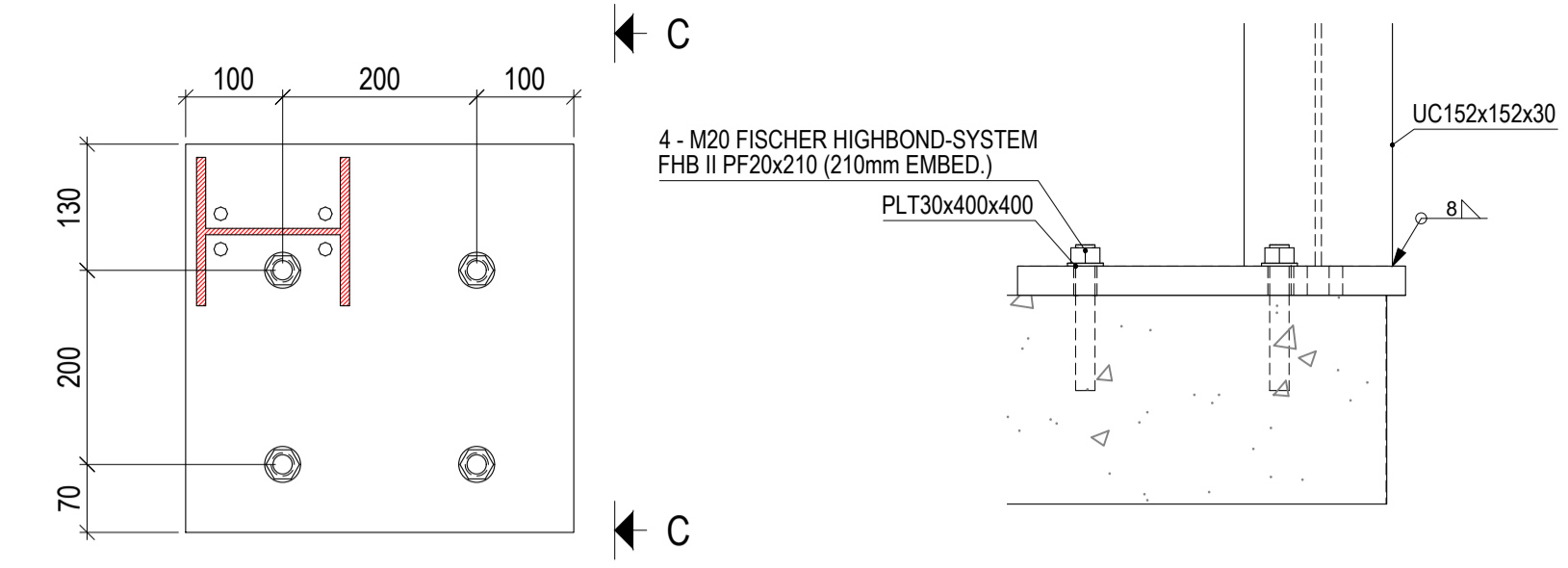
SECTION 3-3
Scale: 1:20



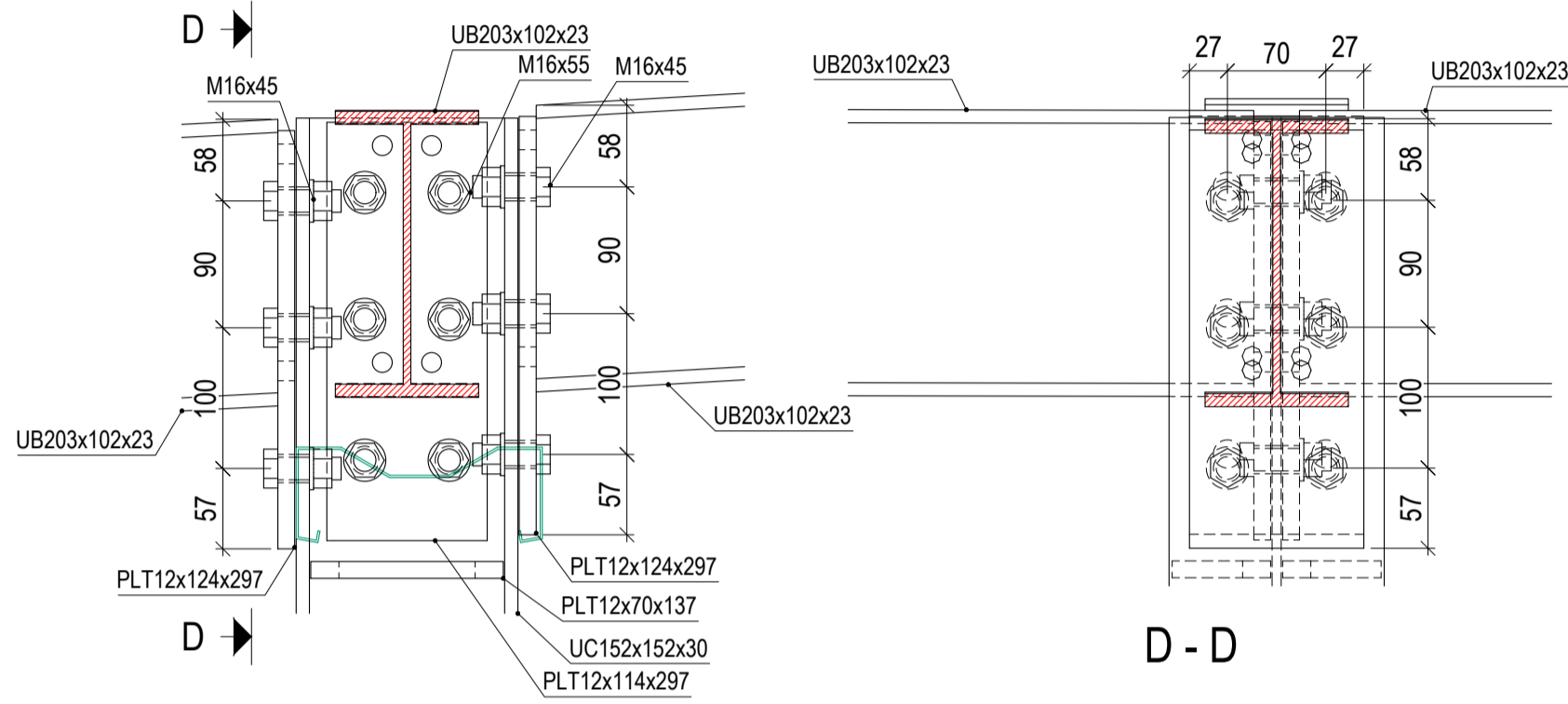
CHS168.3x6.3 BASEPLATE DETAIL
Scale: 1:7.5



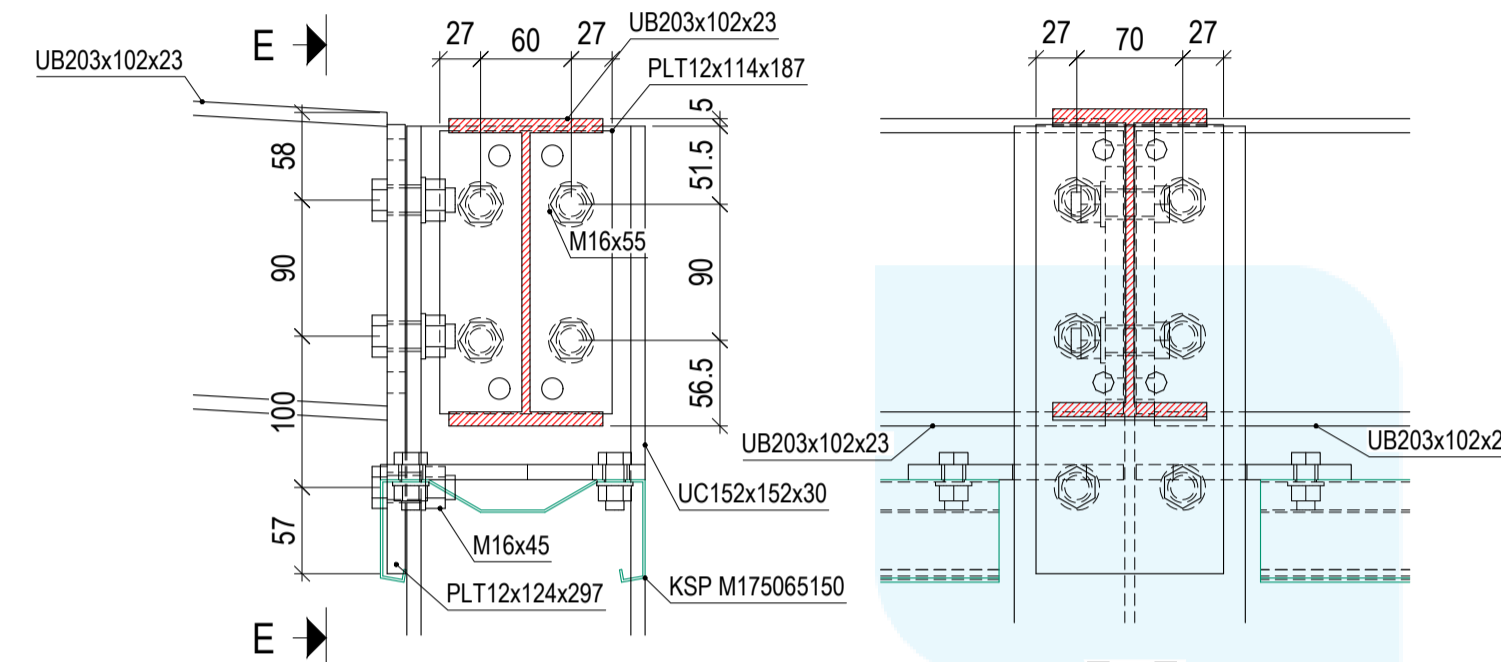
UC152x30 BASE PLATE
Scale: 1:7.5



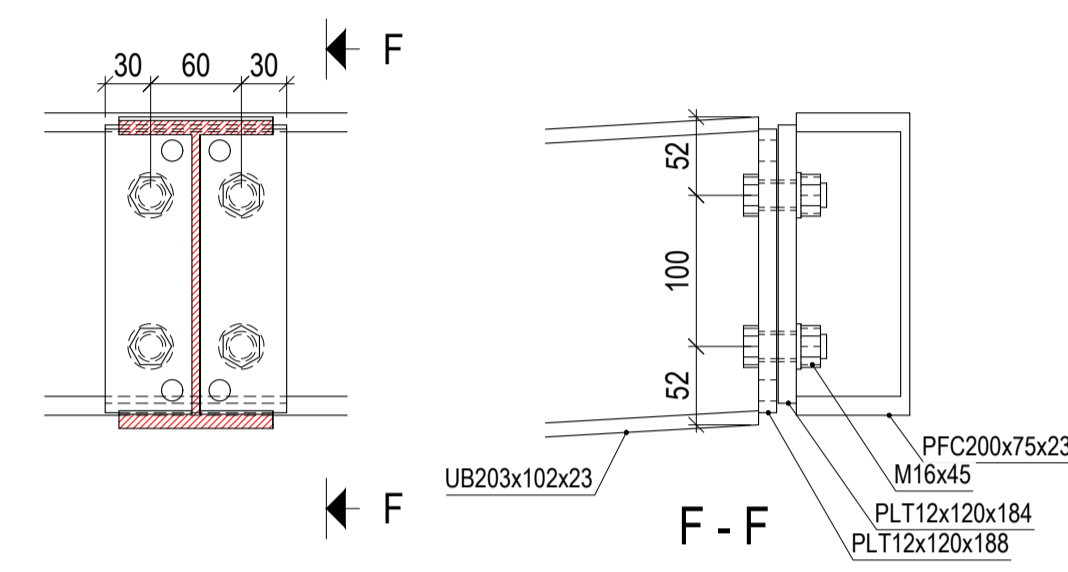
UC152x30 CORNER BASE PLATE
Scale: 1:7.5



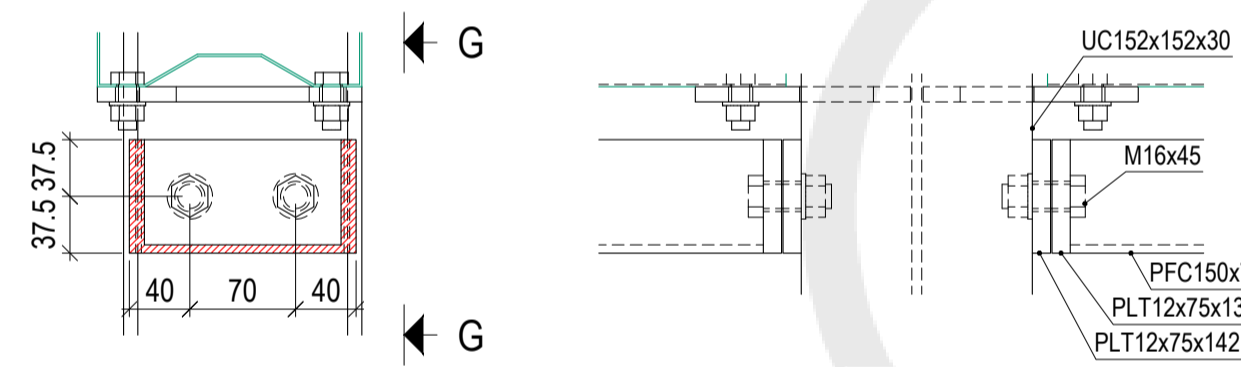
CONNECTION 3
Scale: 1:5



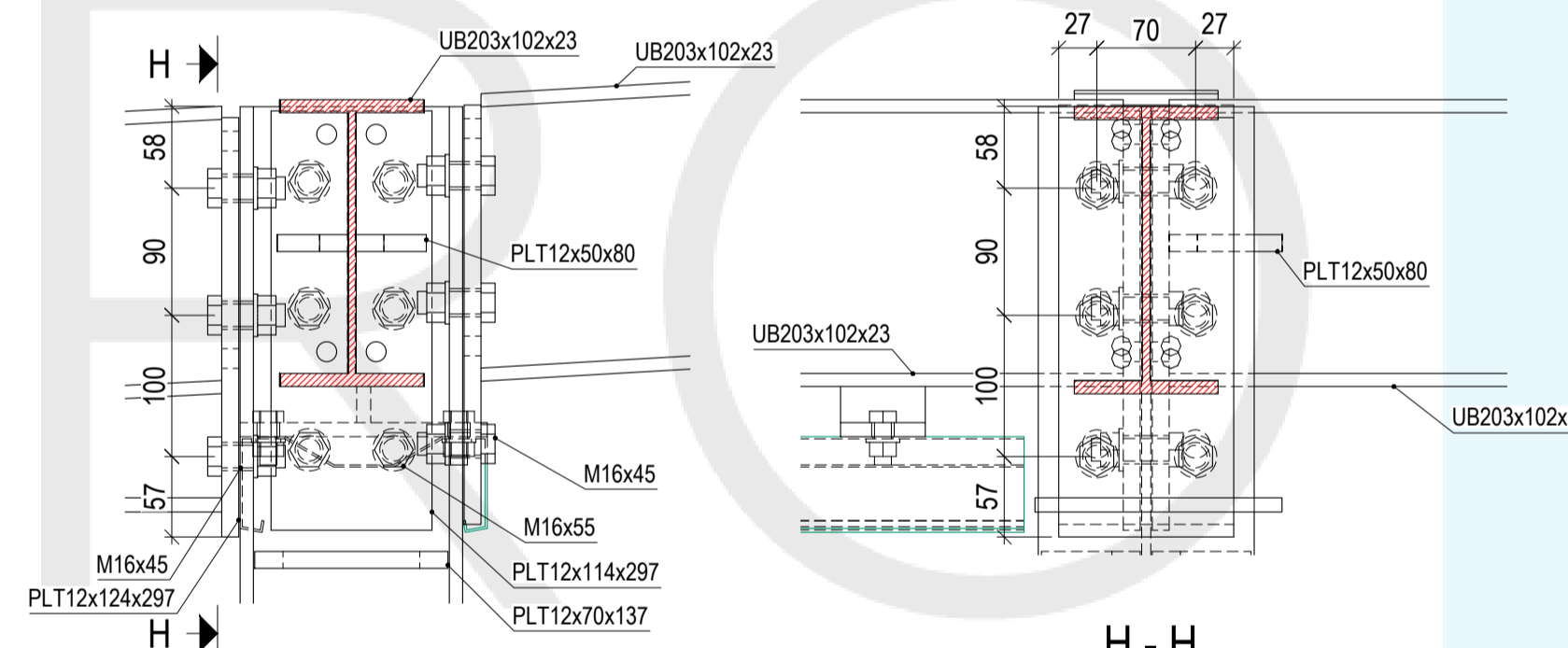
CONNECTION 4
Scale: 1:5



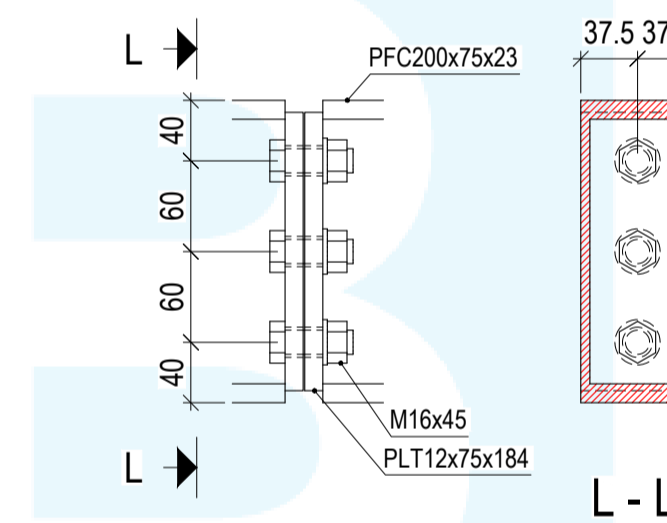
CONNECTION 5
Scale: 1:5



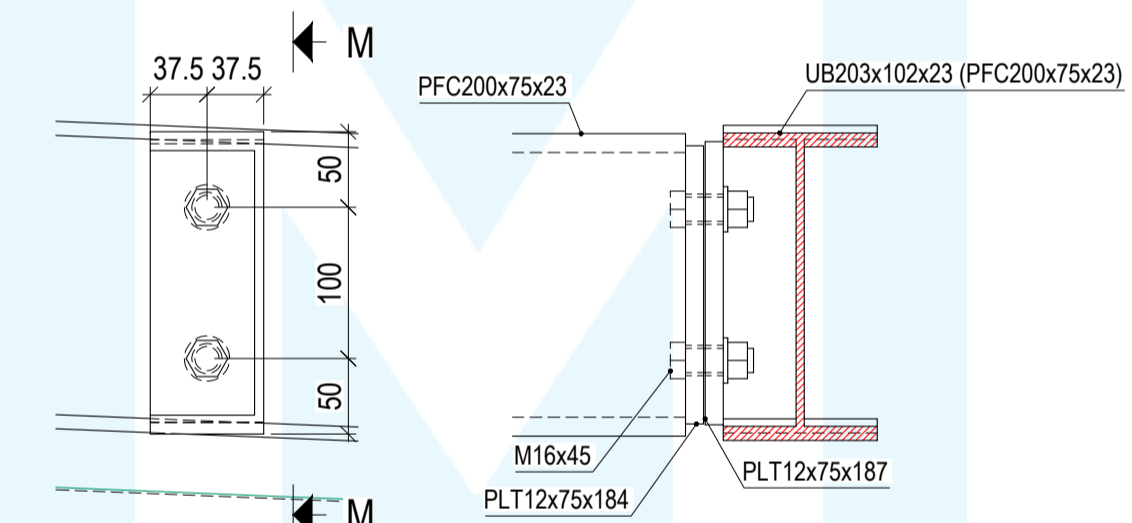
CONNECTION 6
Scale: 1:5



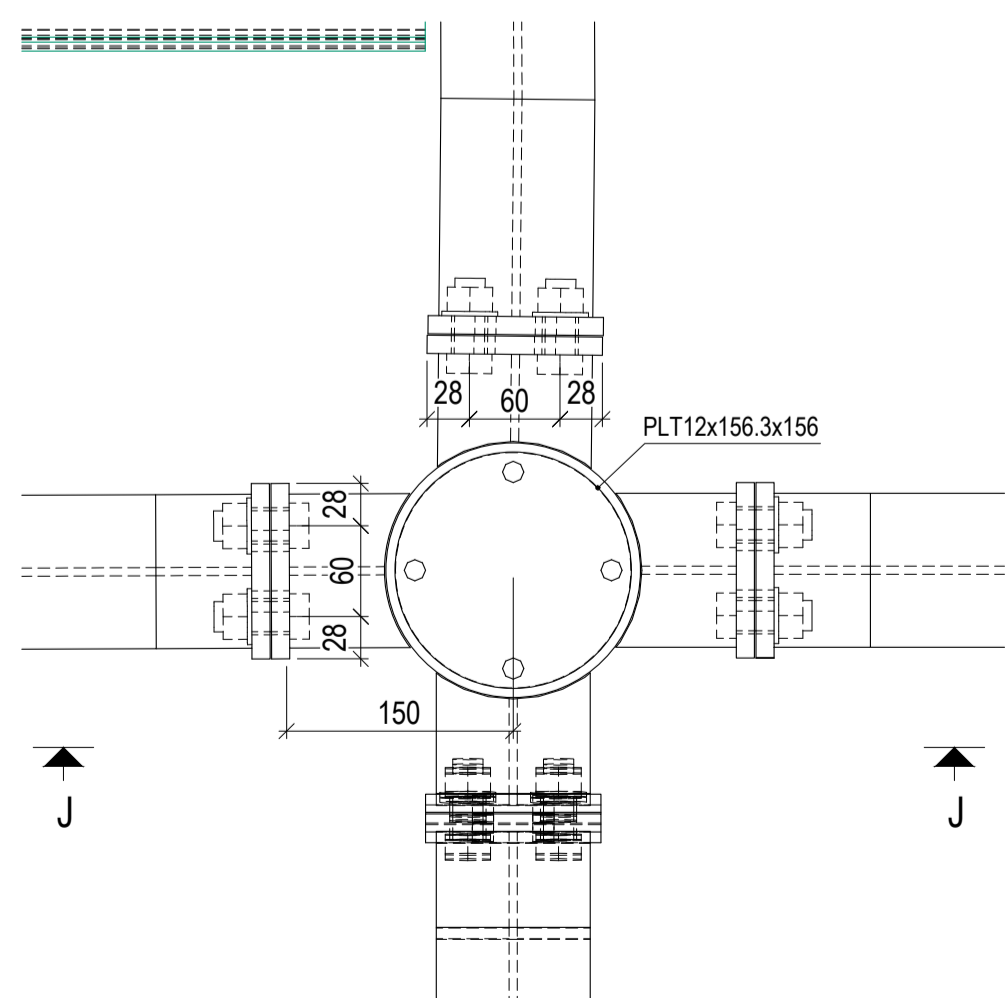
CONNECTION 7
Scale: 1:5



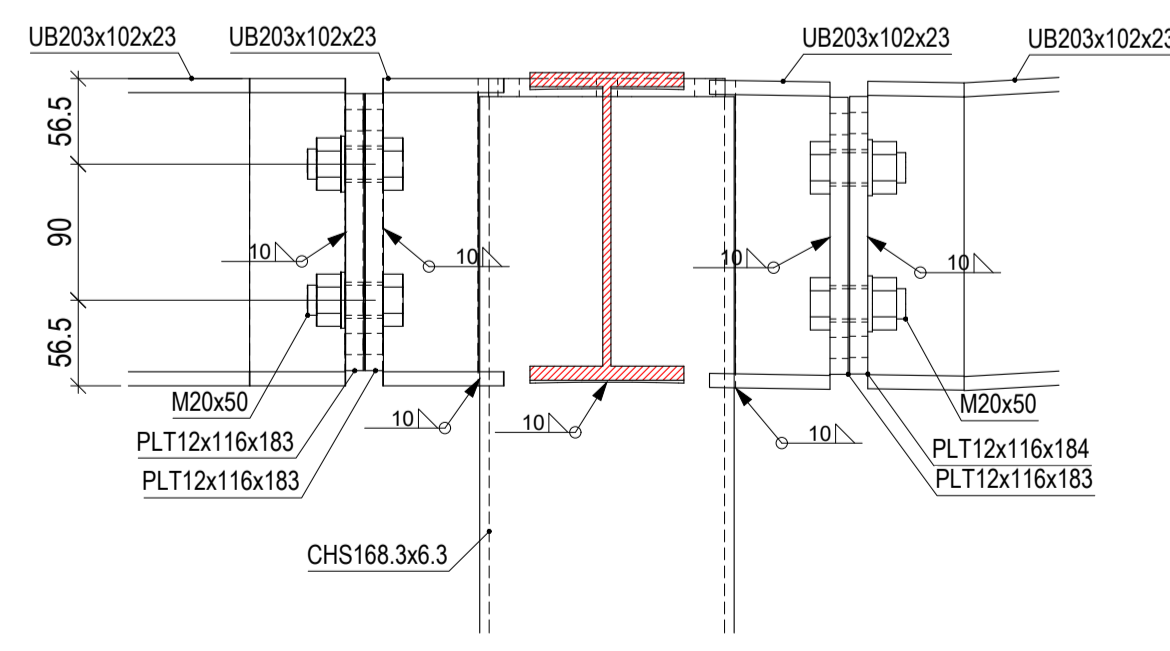
CONNECTION 13
Scale: 1:5



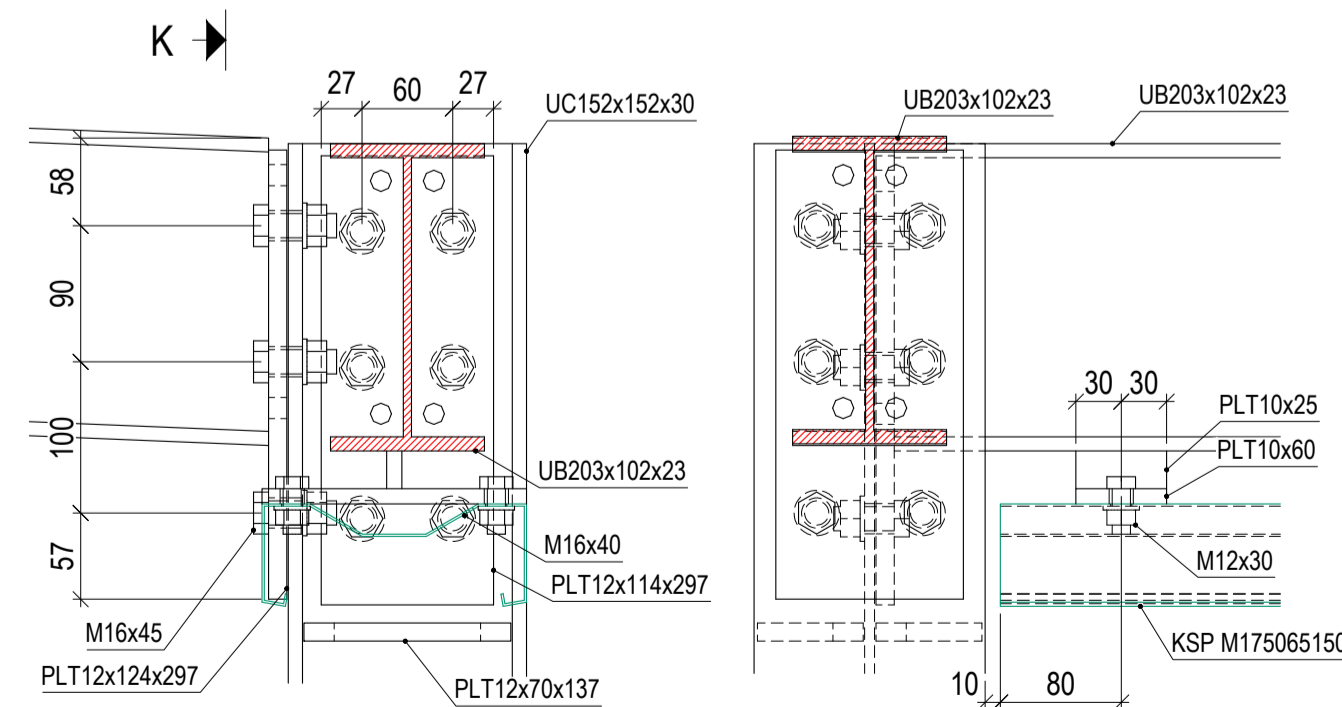
CONNECTION 14
Scale: 1:5



CONNECTION 8
Scale: 1:5



CONNECTION 9
Scale: 1:5



CONNECTION 17
Scale: 1:5

