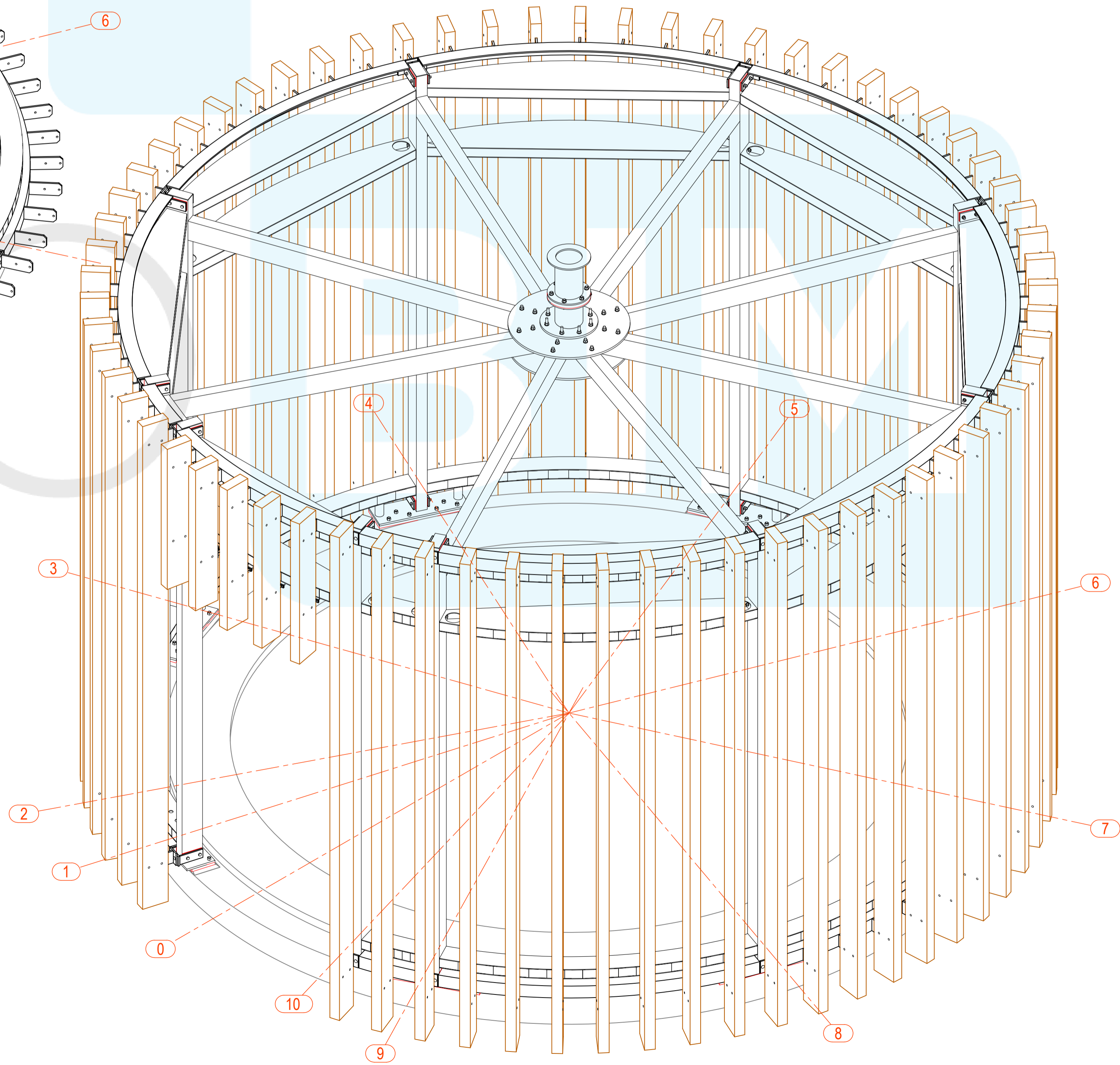
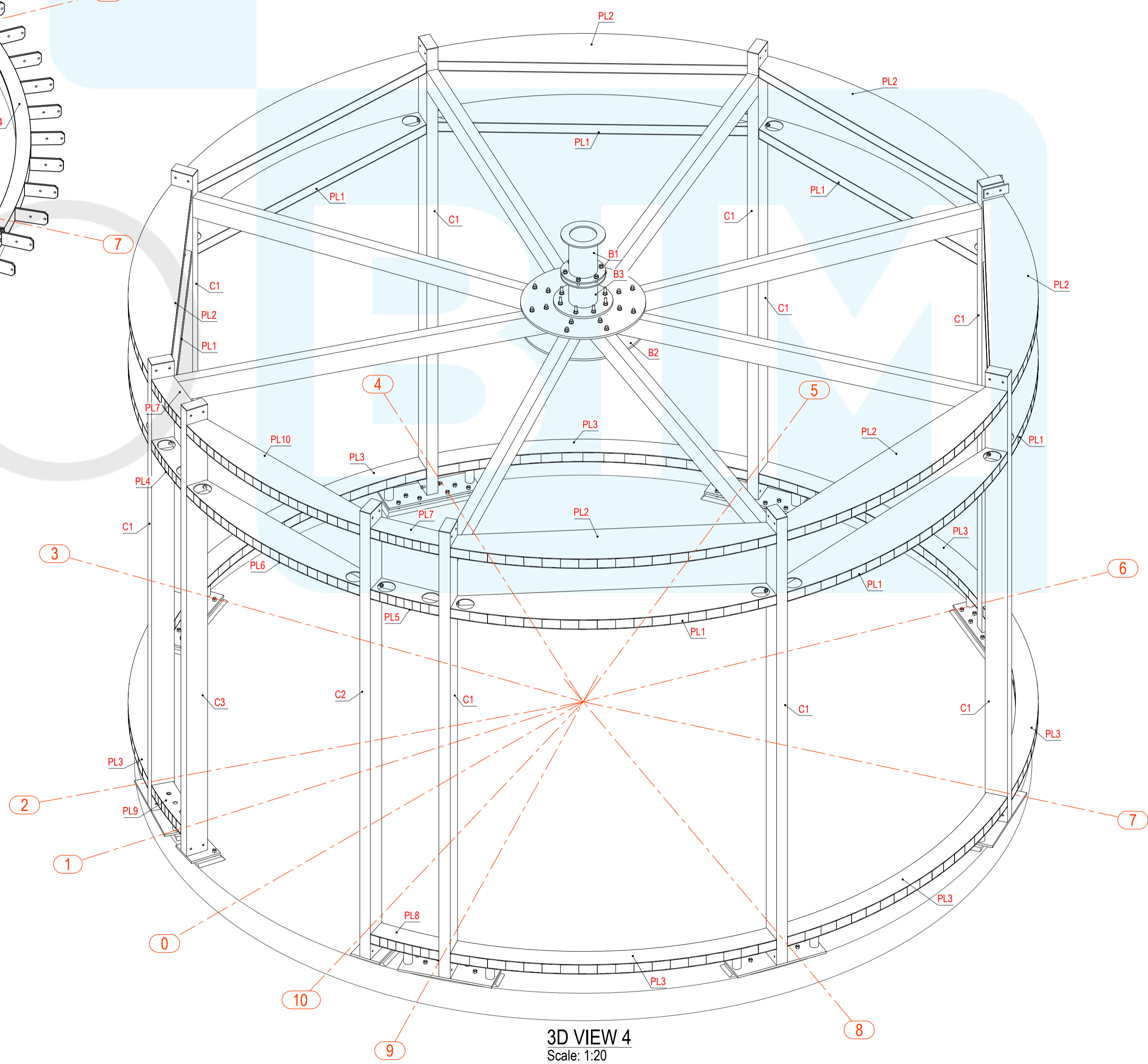
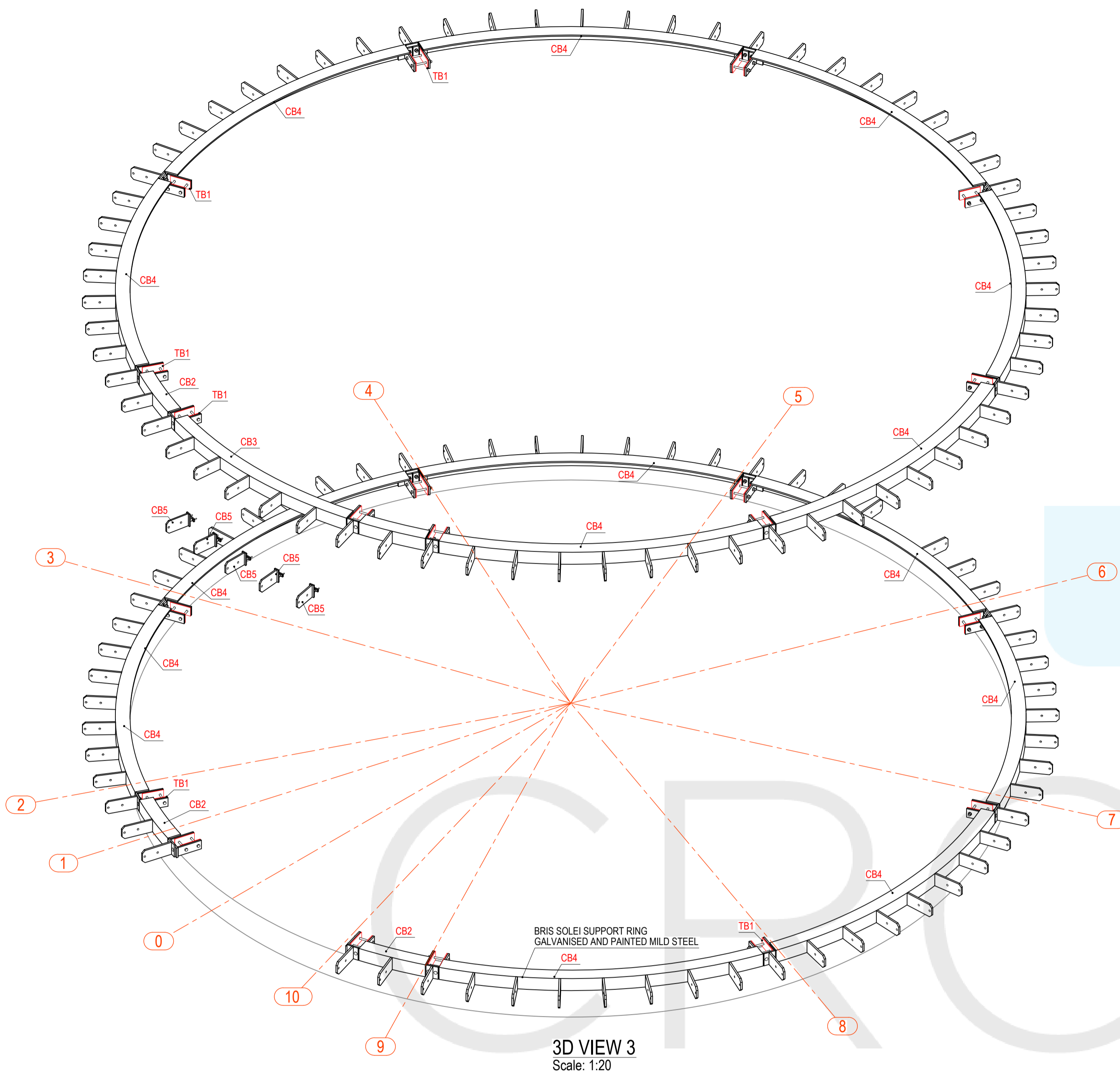
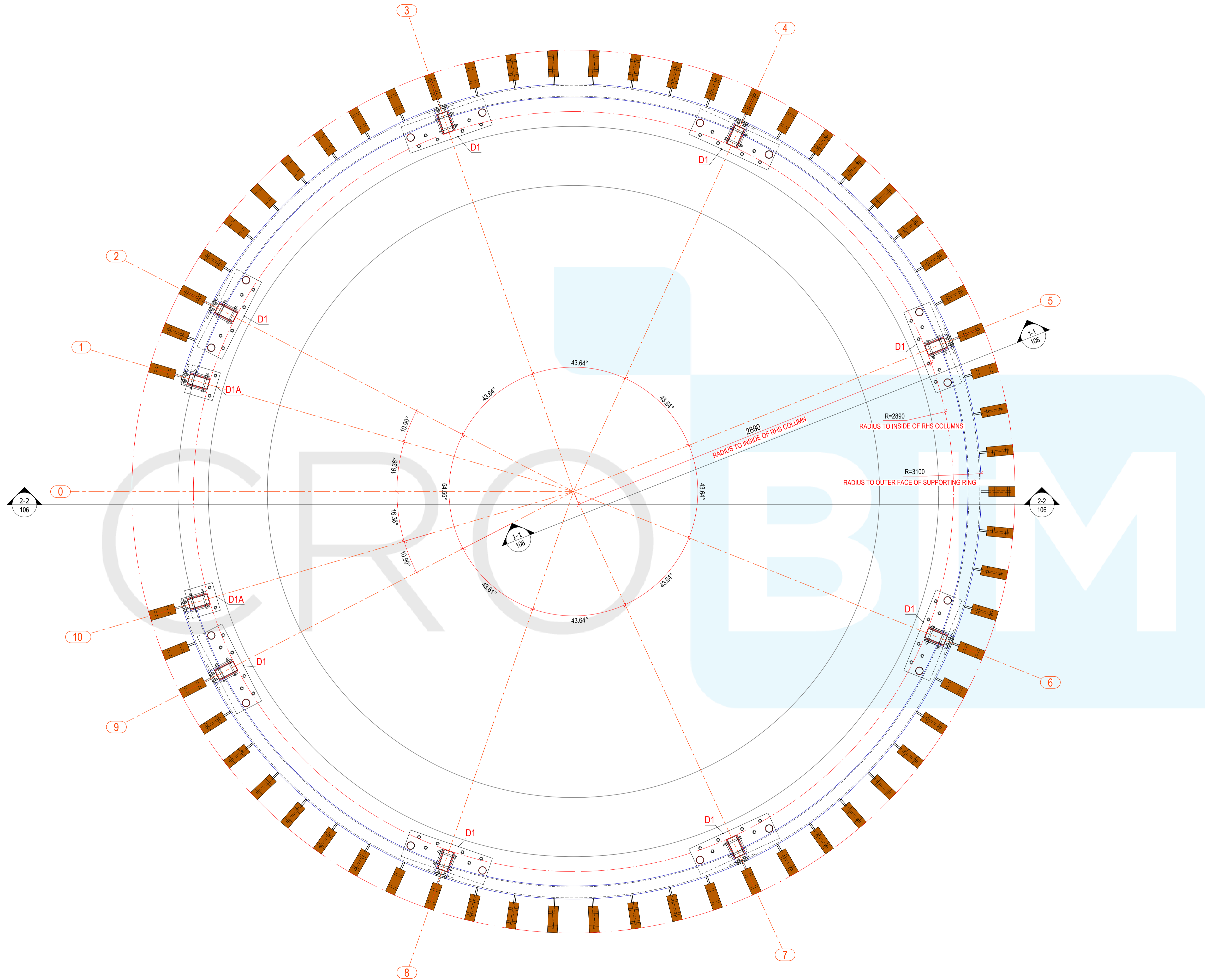


3D VIEW 1
Scale: 1:20

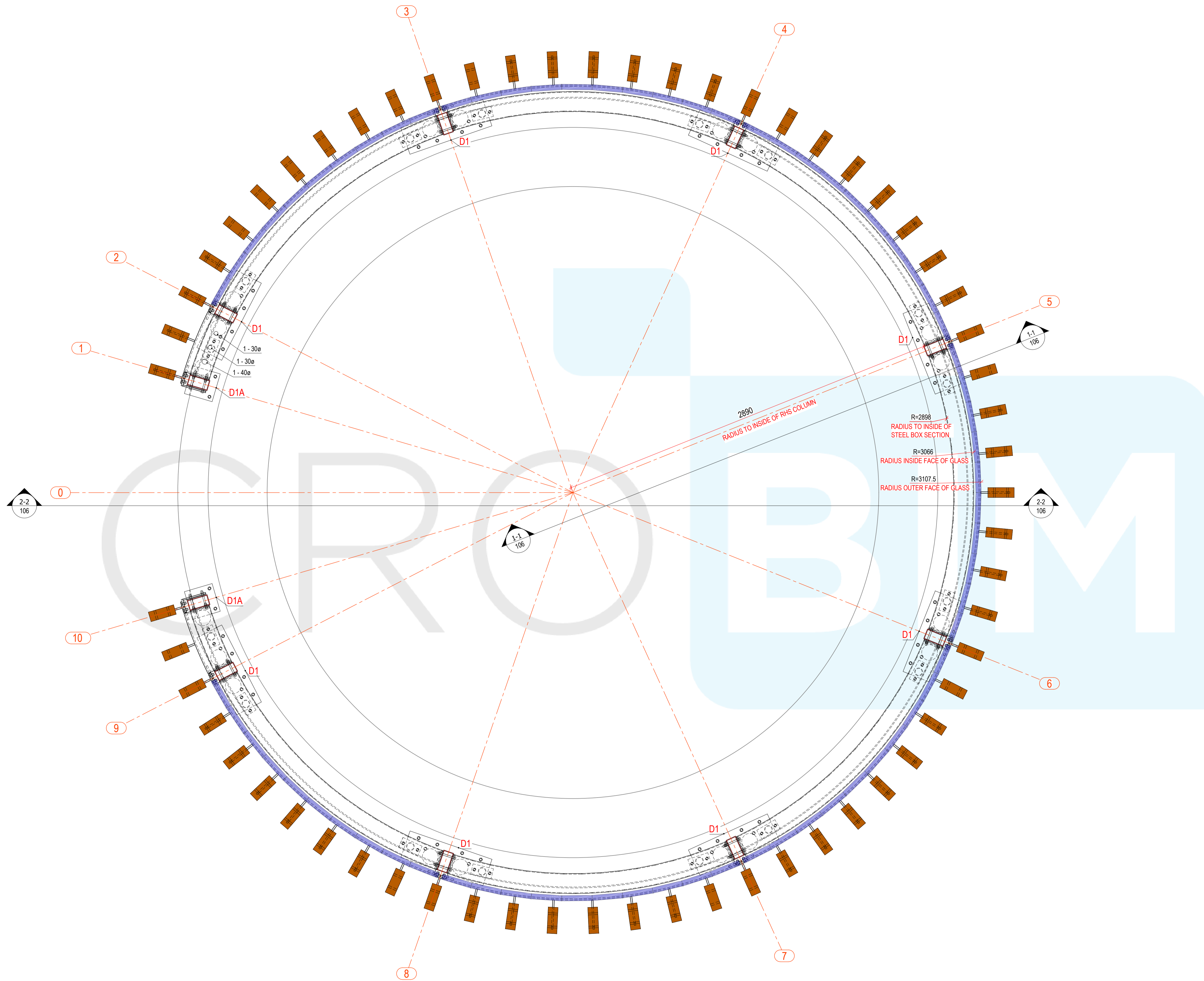


3D VIEW 2
Scale: 1:20

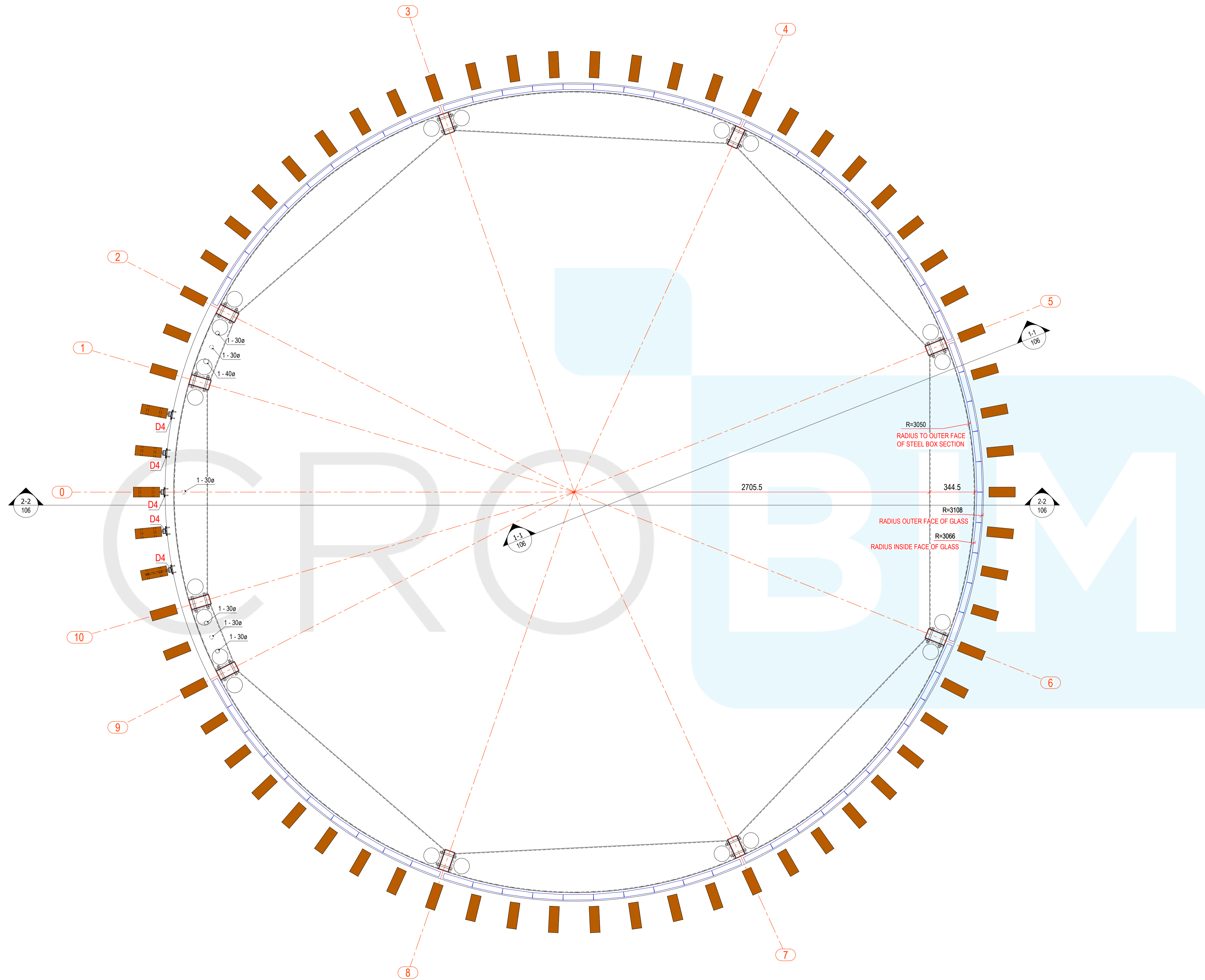




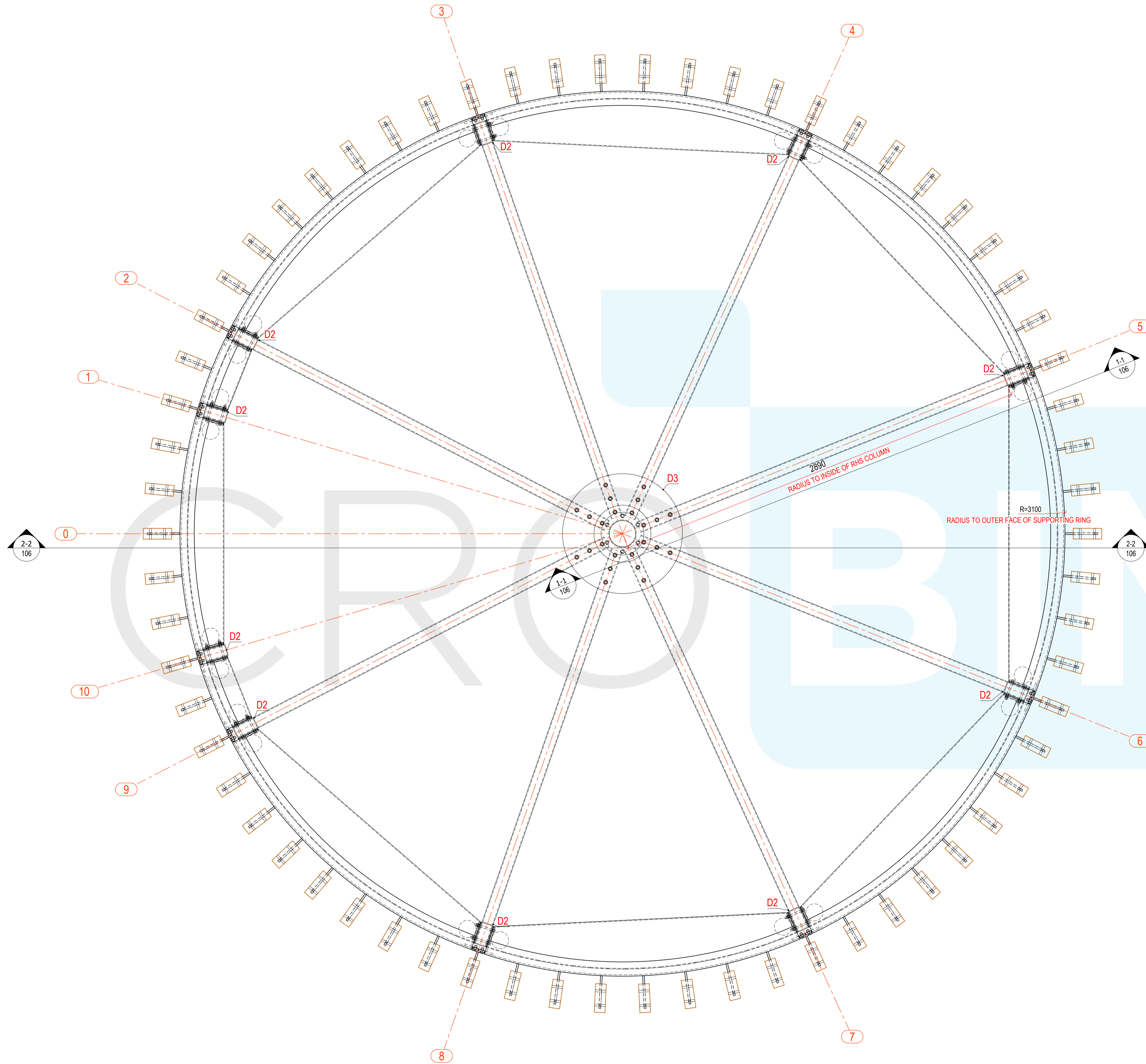
PLAN VIEW AT -0.100
Scale: 1:15



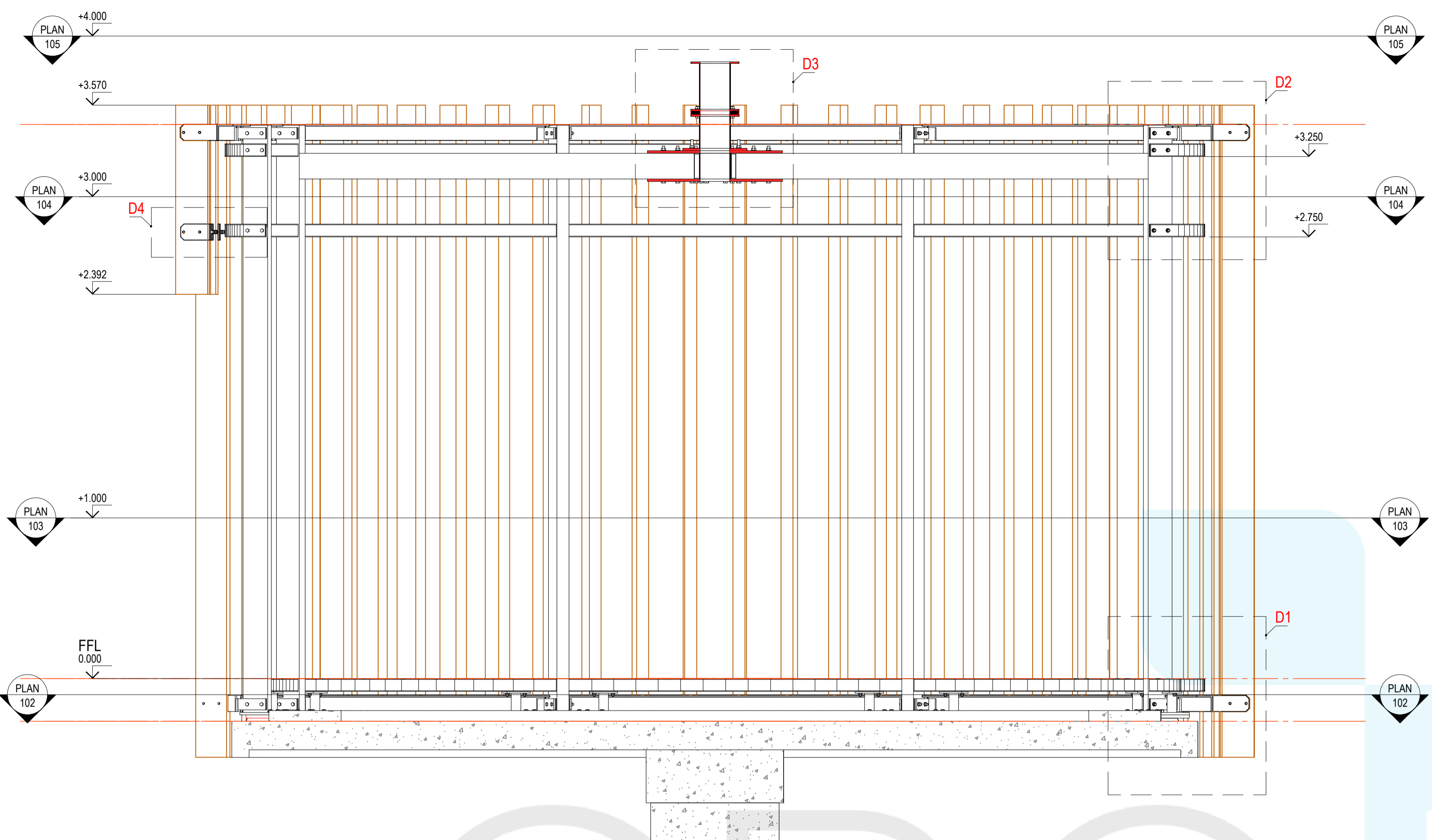
PLAN VIEW AT +1.000
Scale: 1:15



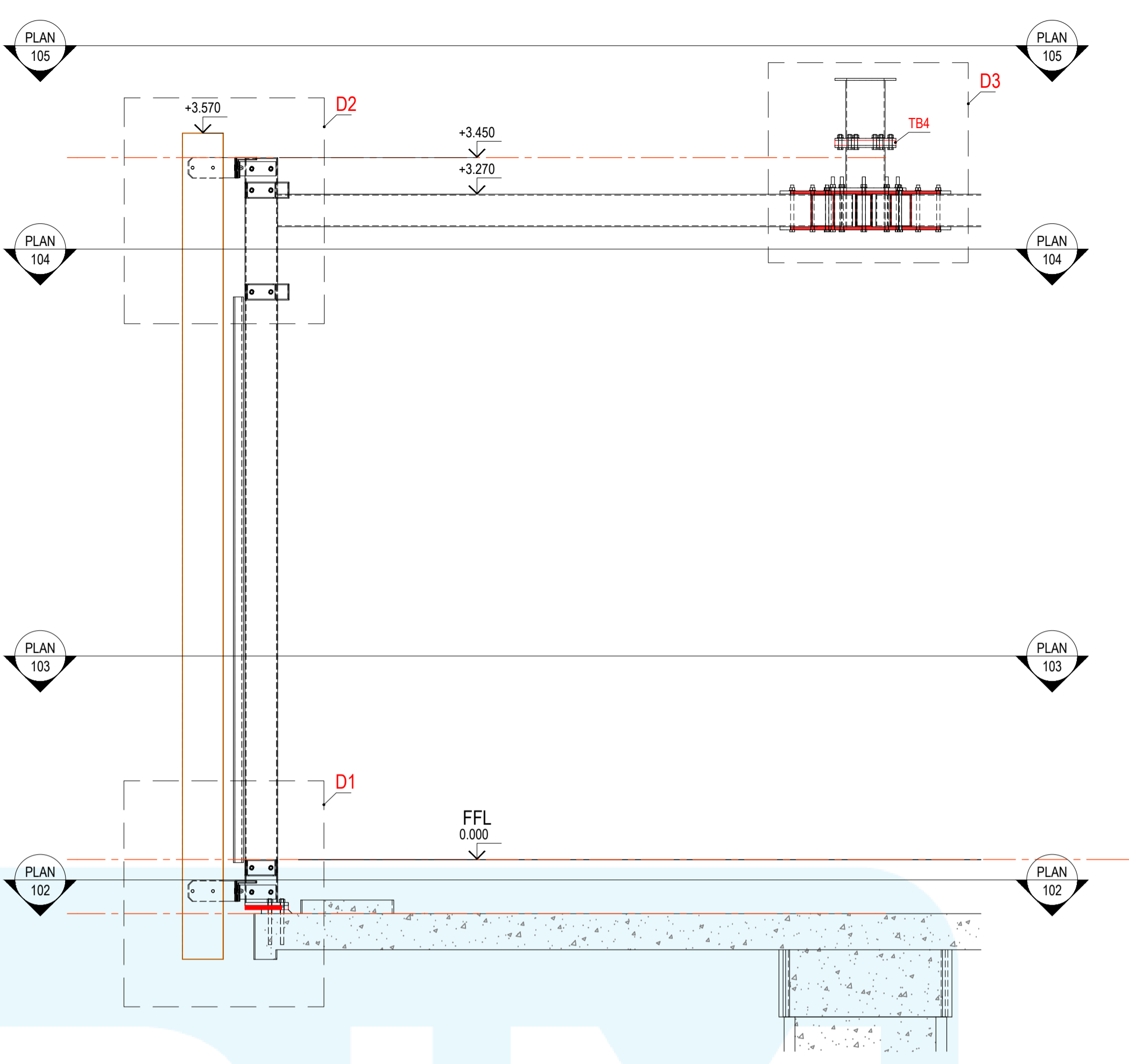
PLAN VIEW AT +3.000
Scale: 1:15



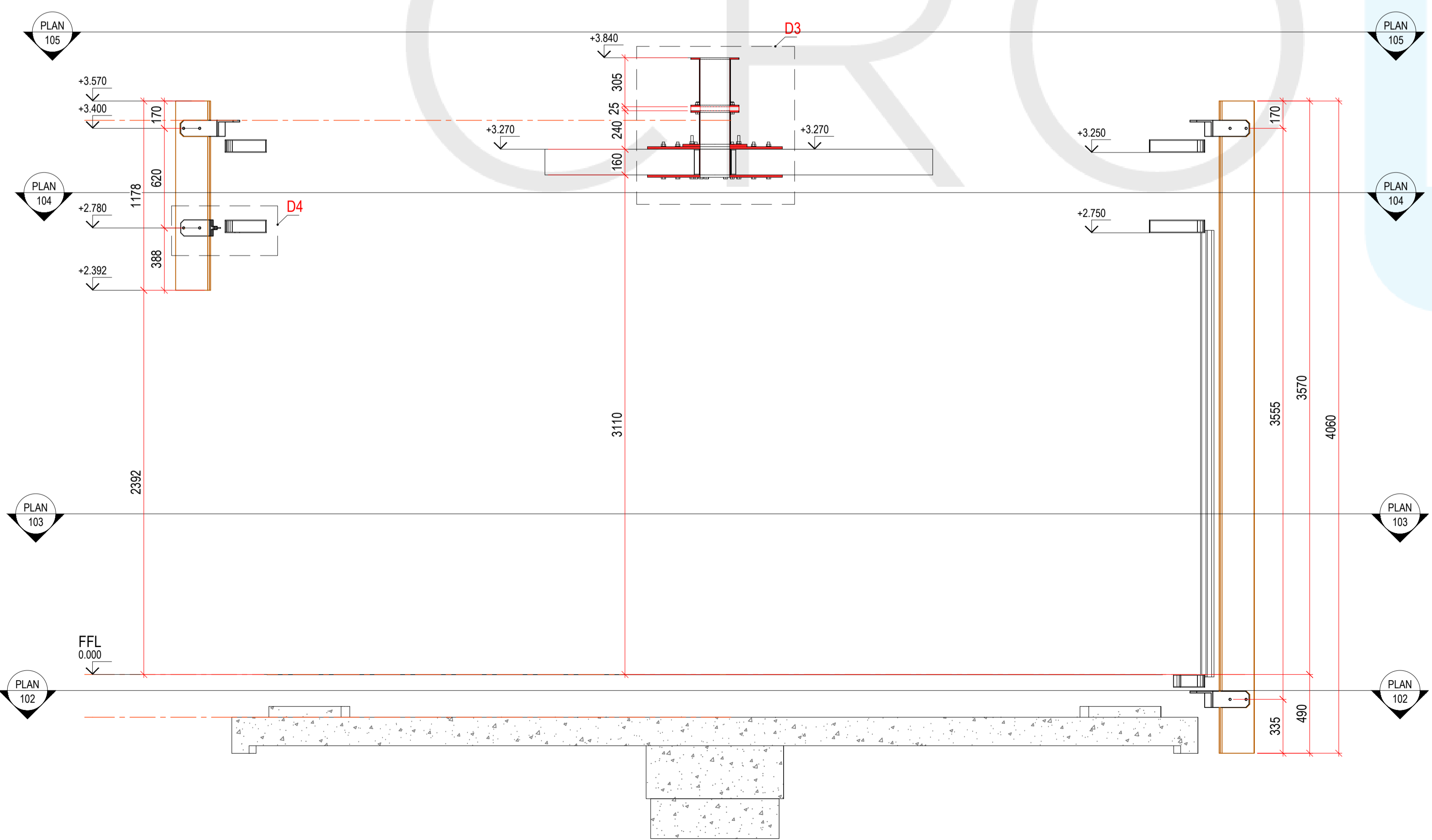
PLAN VIEW AT +4.000
 Scale: 1:15



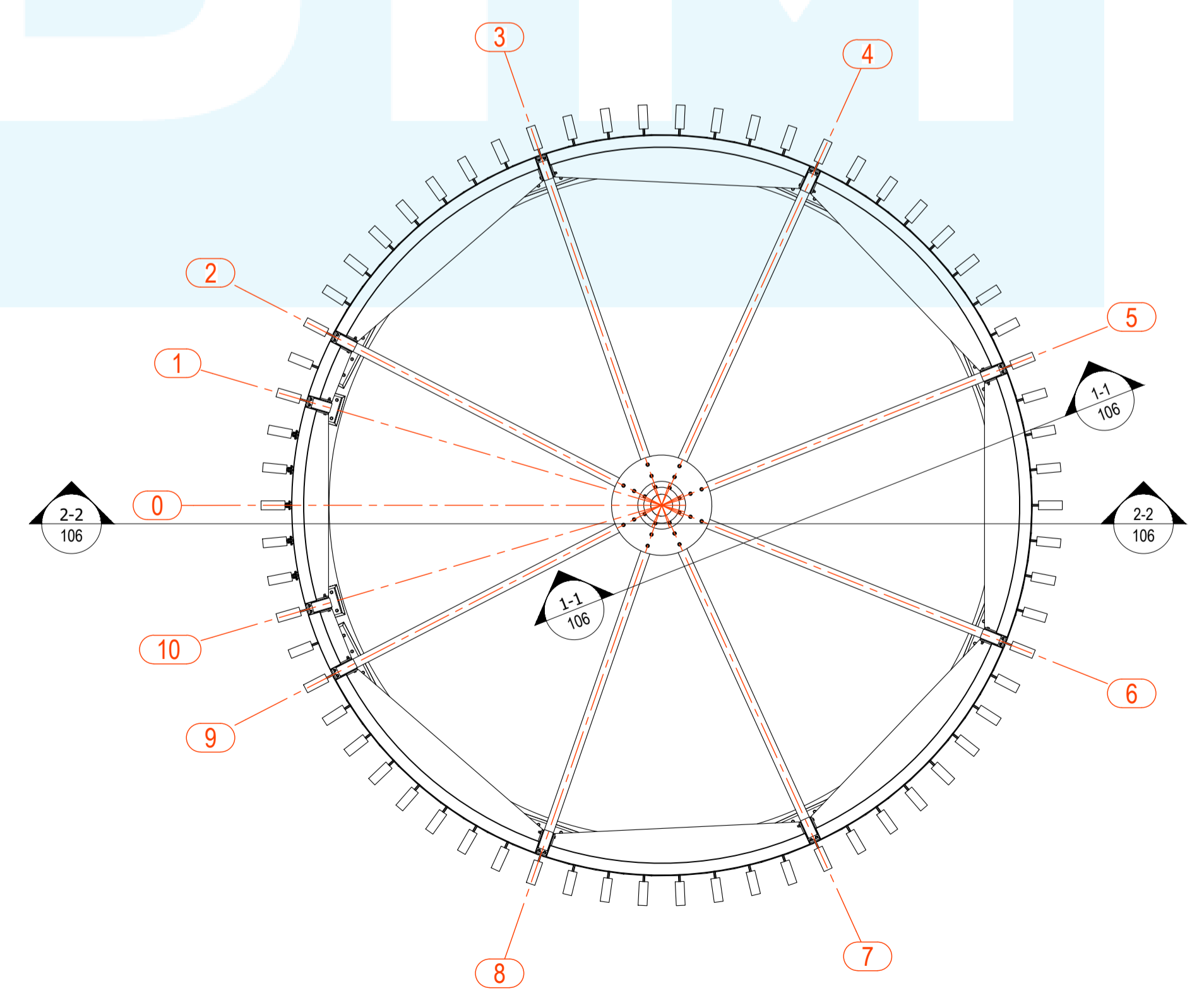
SECTION 2-2
Scale: 1:20



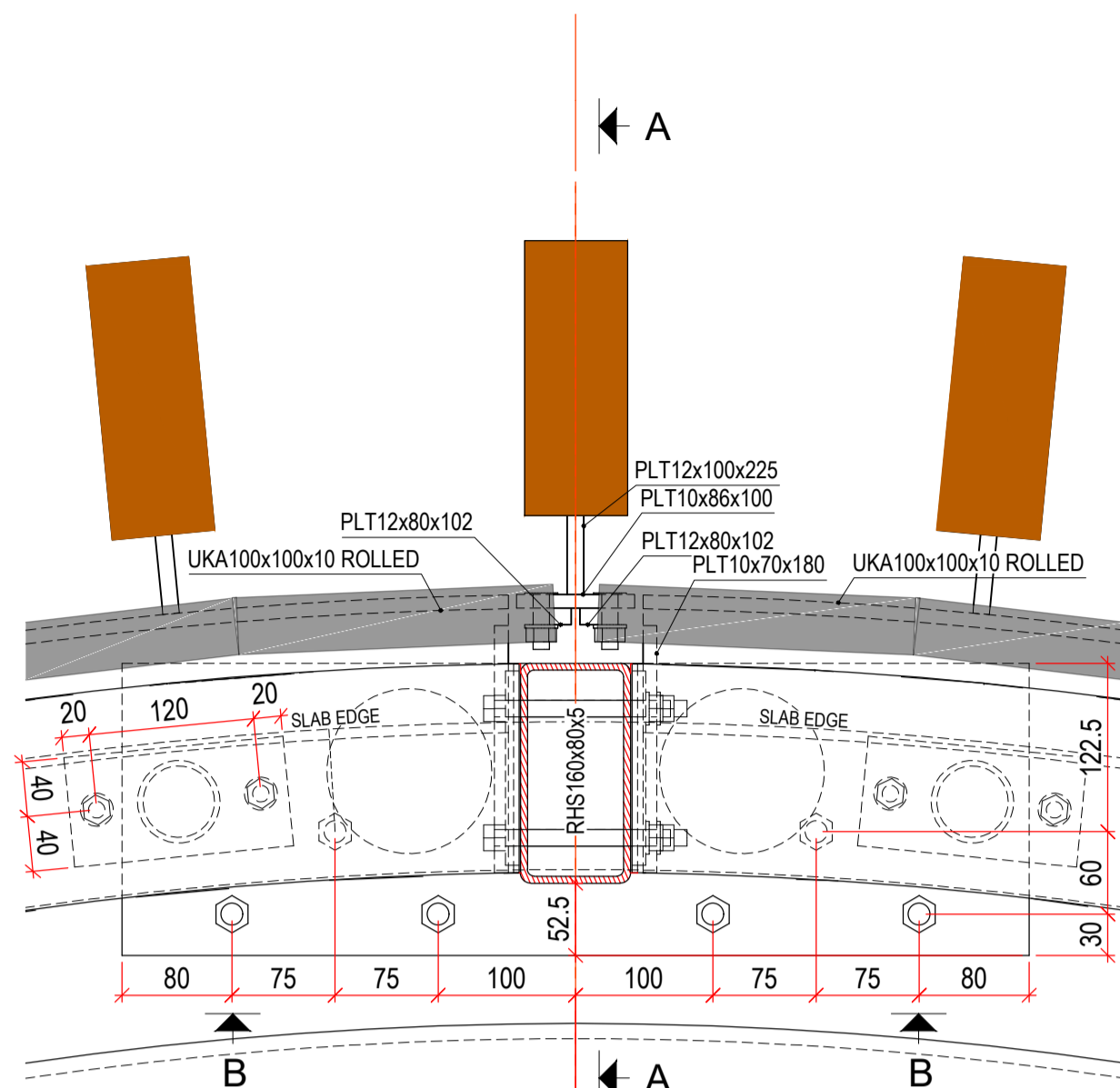
SECTION 1-1
Scale: 1:20



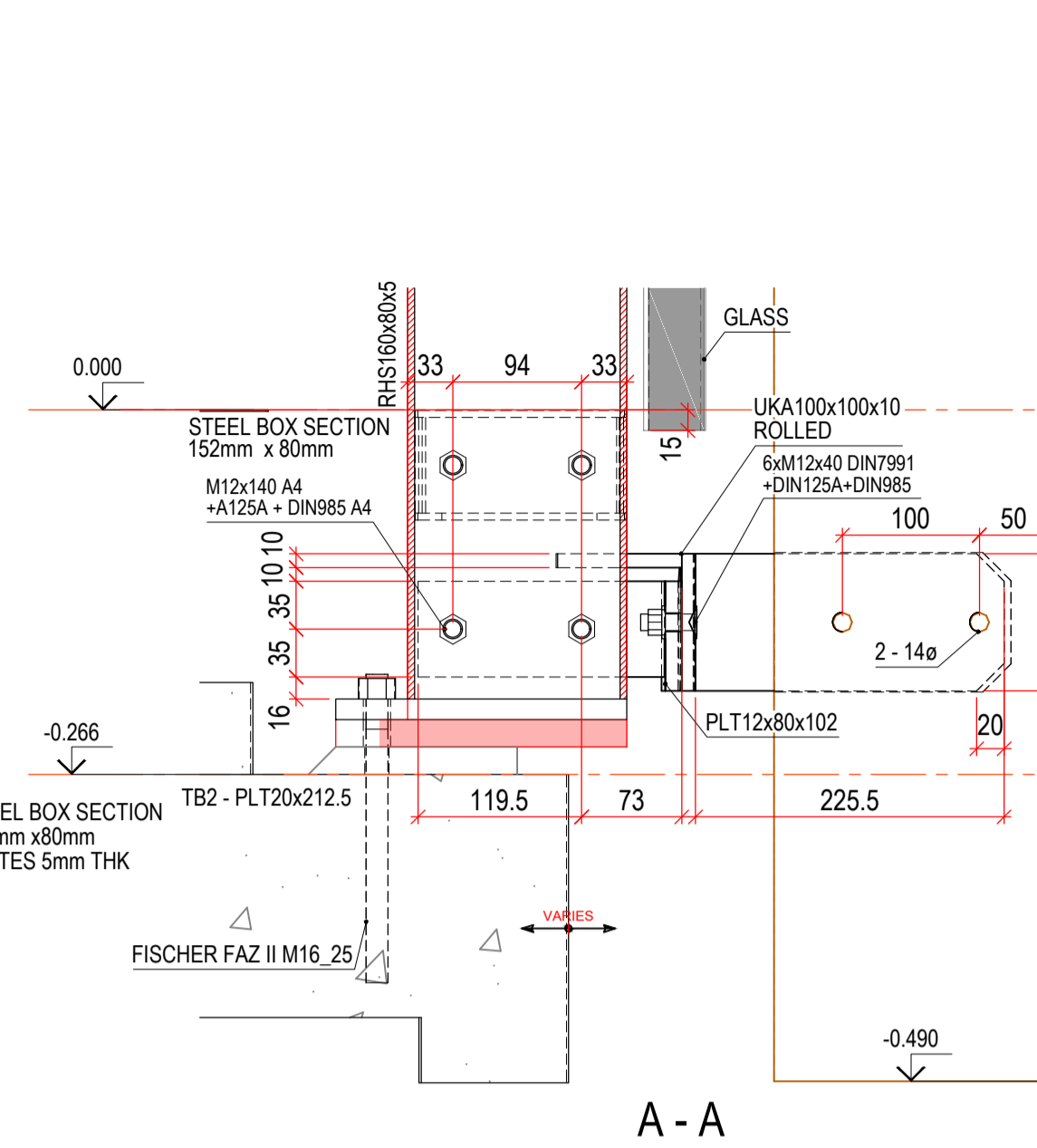
SECTION 2-2
Scale: 1:20



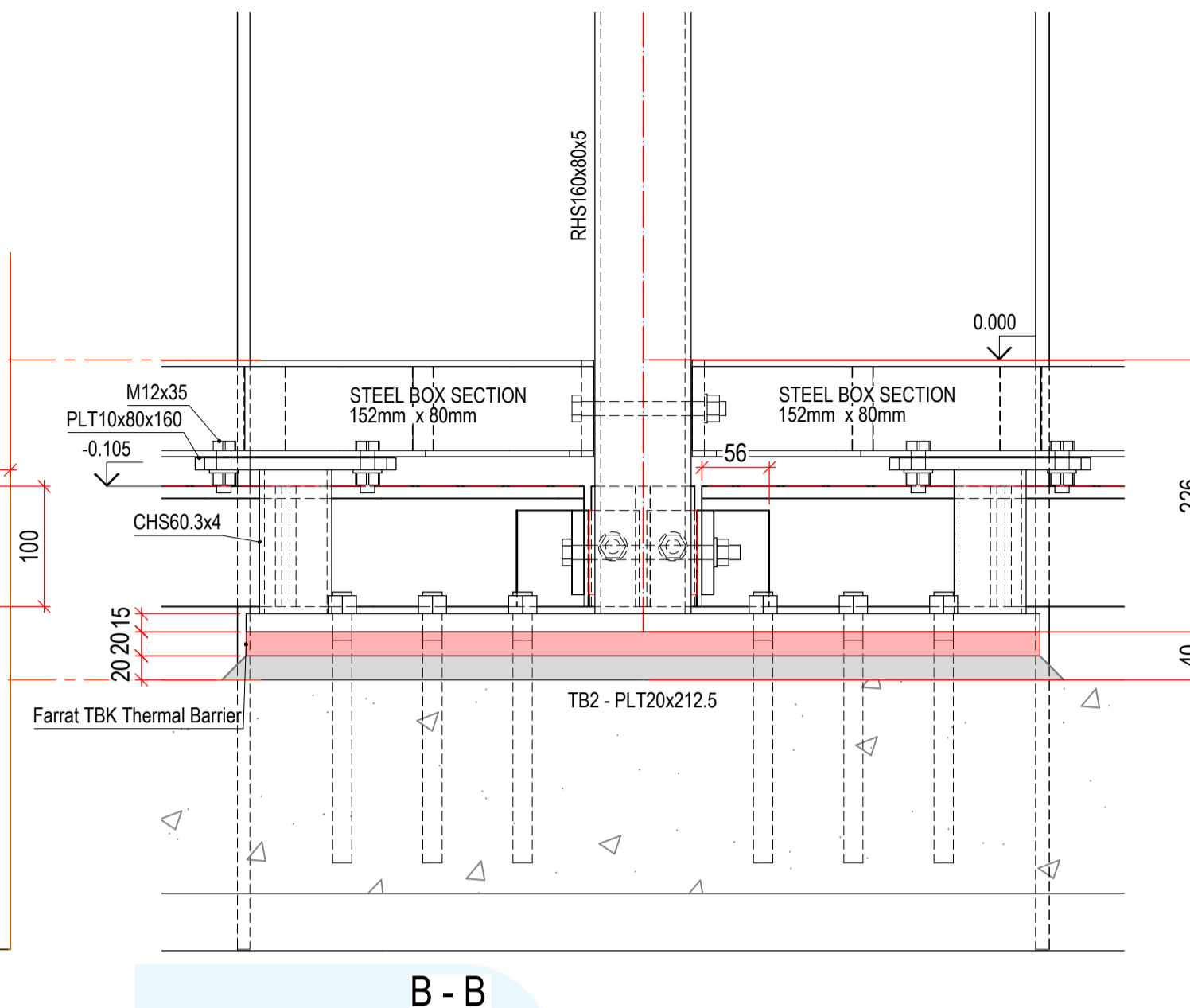
KEY PLAN
Scale: 1:40



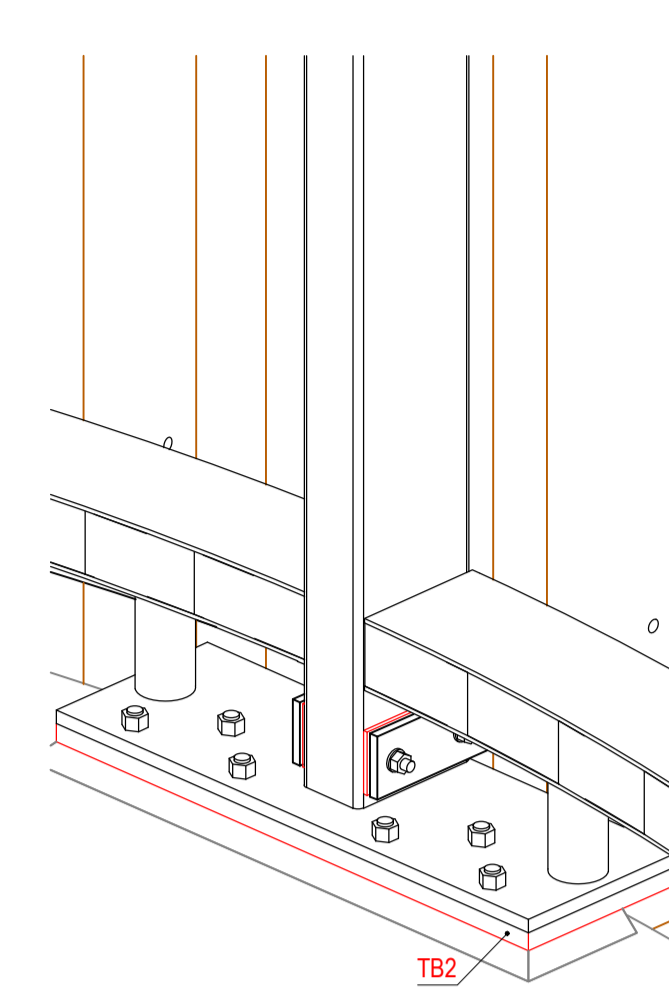
DETAIL 1 - PLAN VIEW
Scale 1:5



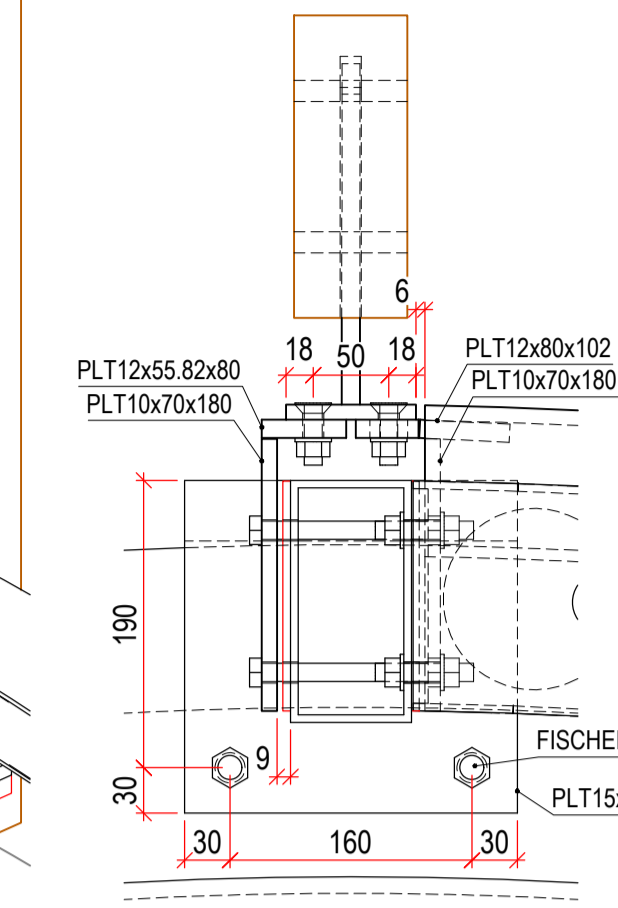
A - A



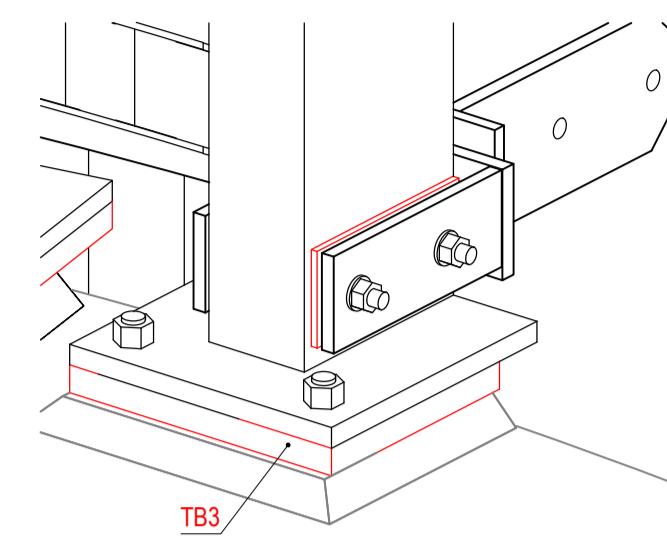
B - B



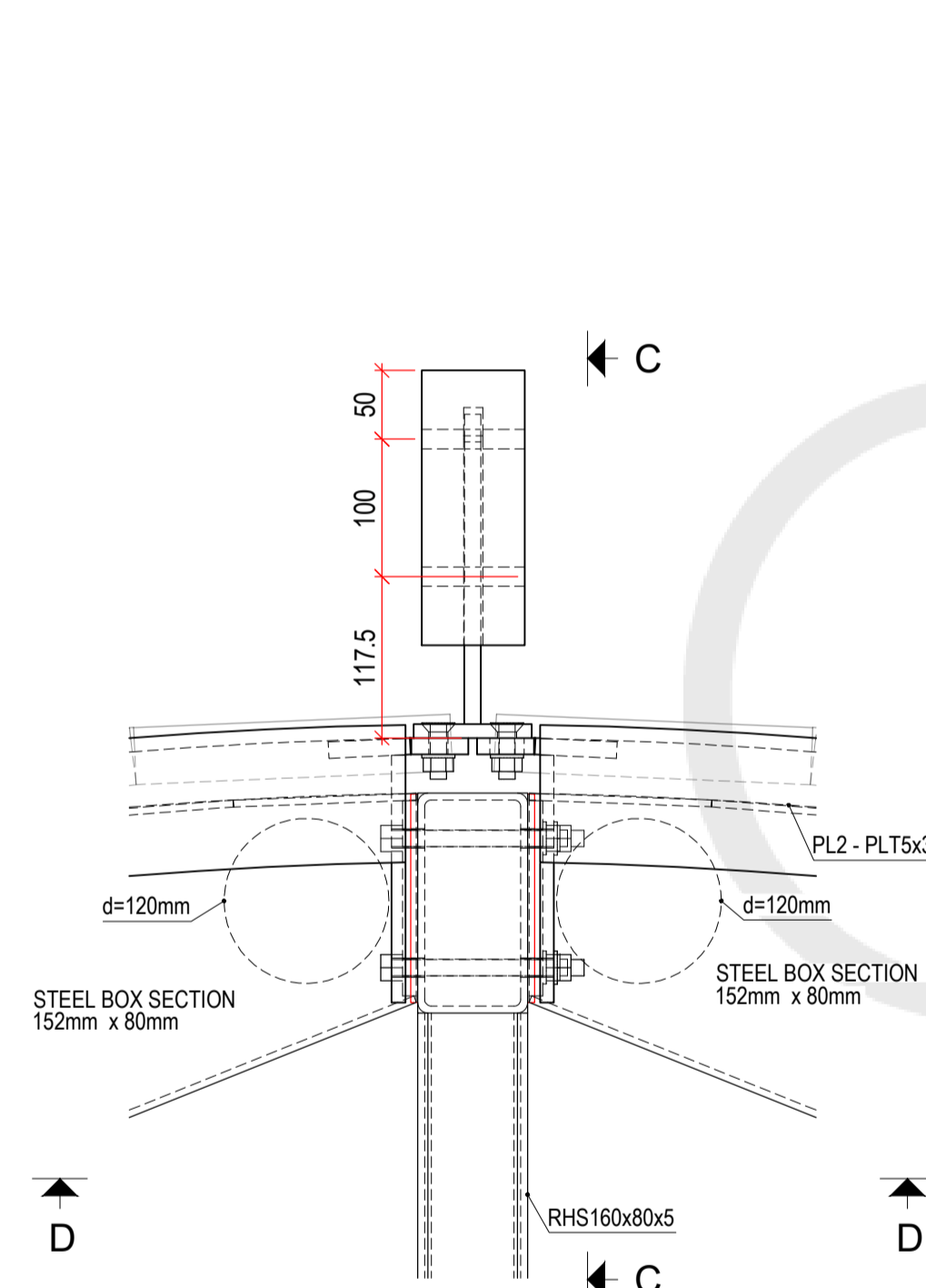
DETAIL 1 - 3D VIEW
Scale 1:7.5



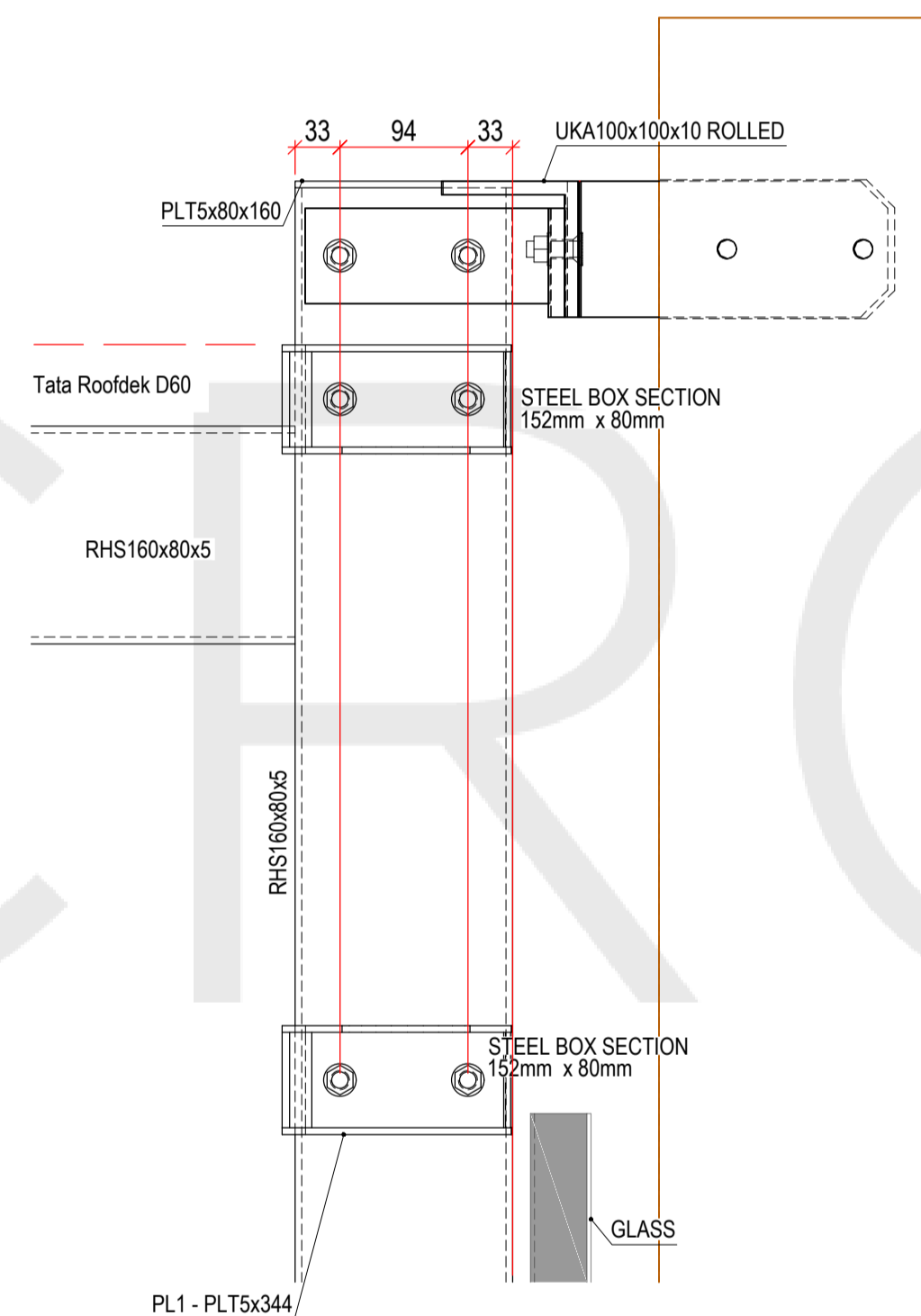
DETAIL 1A
Scale: 1:5



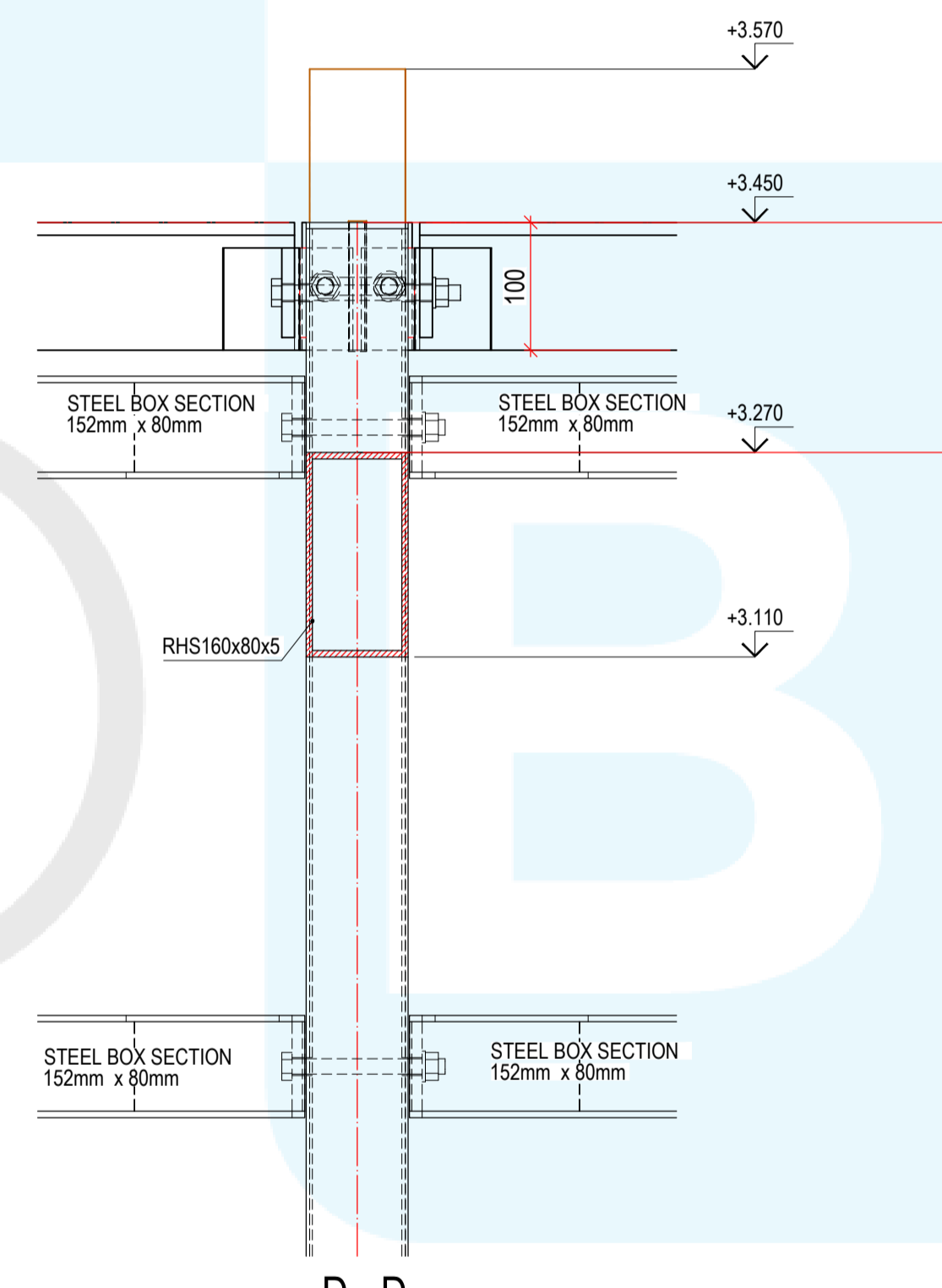
DETAIL 1A - 3D VIEW
Scale 1:5



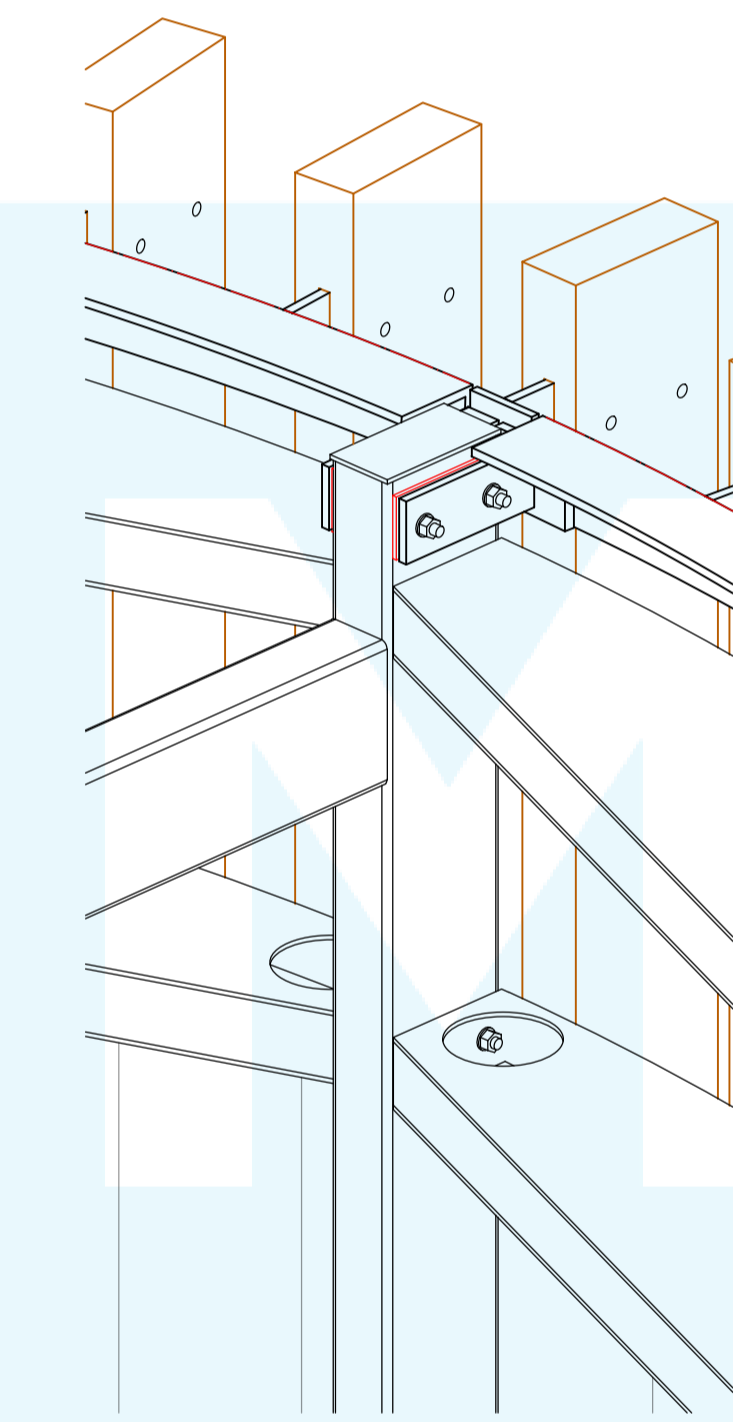
DETAIL 2 - PLAN VIEW
Scale 1:5



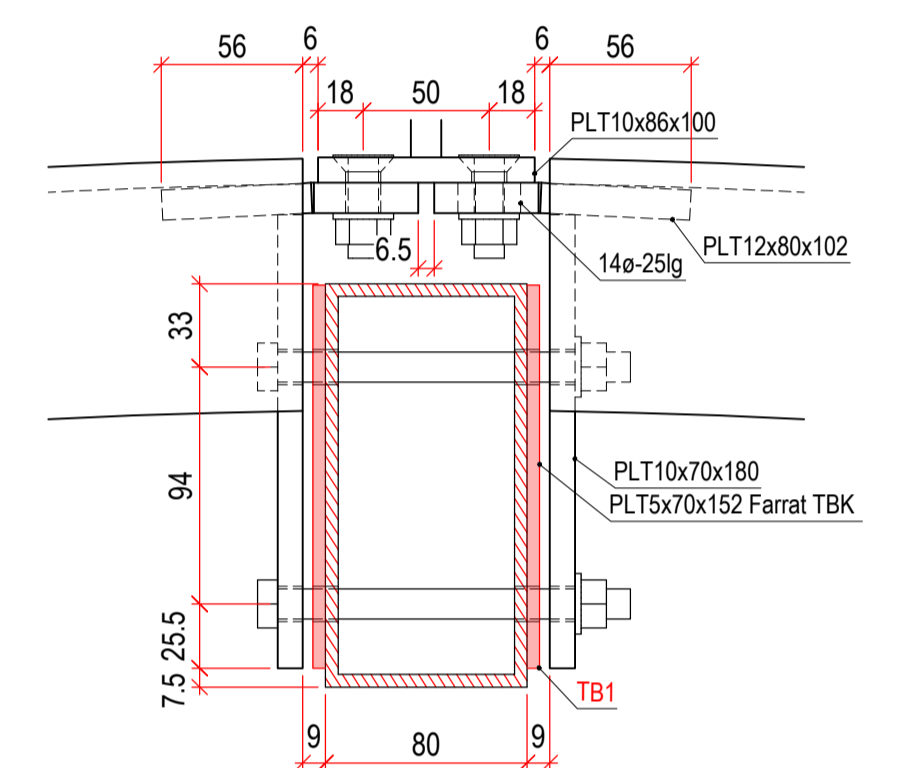
C - C



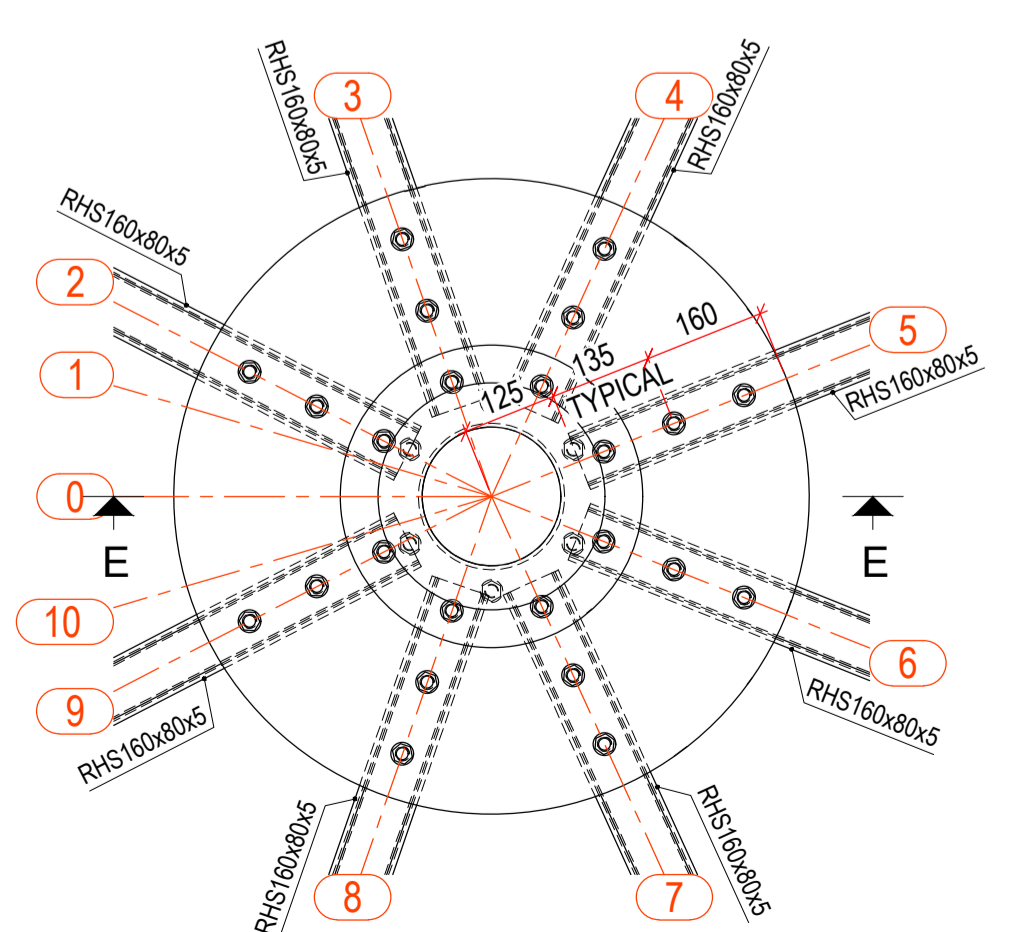
D - D



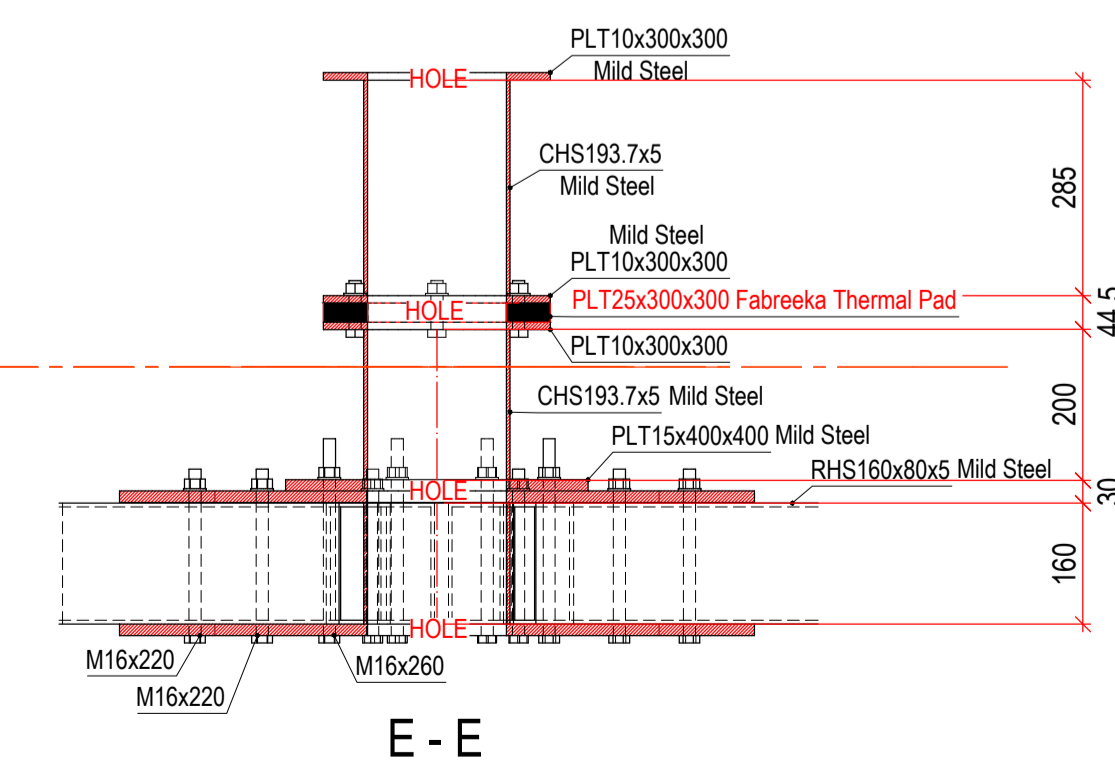
DETAIL 2 - 3D VIEW
Scale 1:7.5



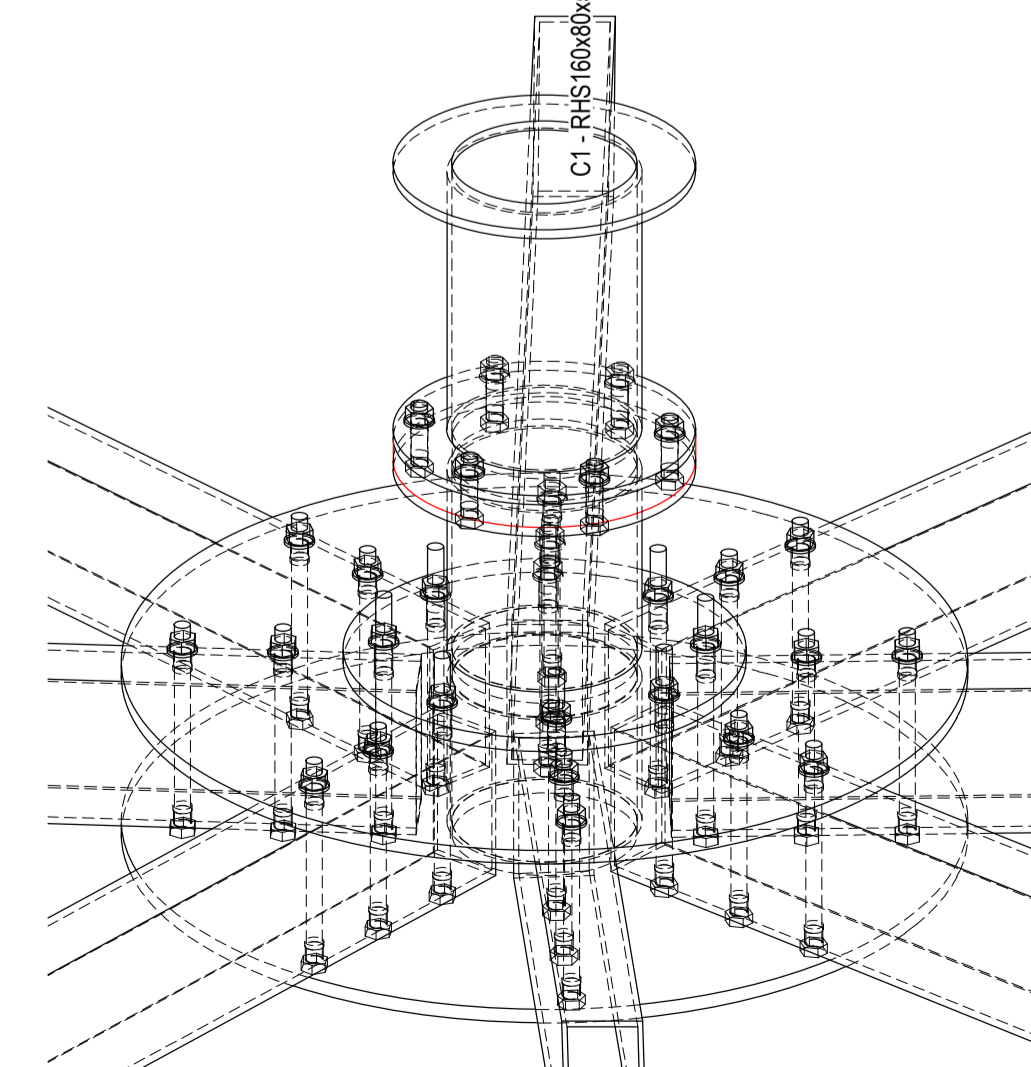
CURVED ANGLE CONNECTION TO THE MULLION
Scale: 1:3



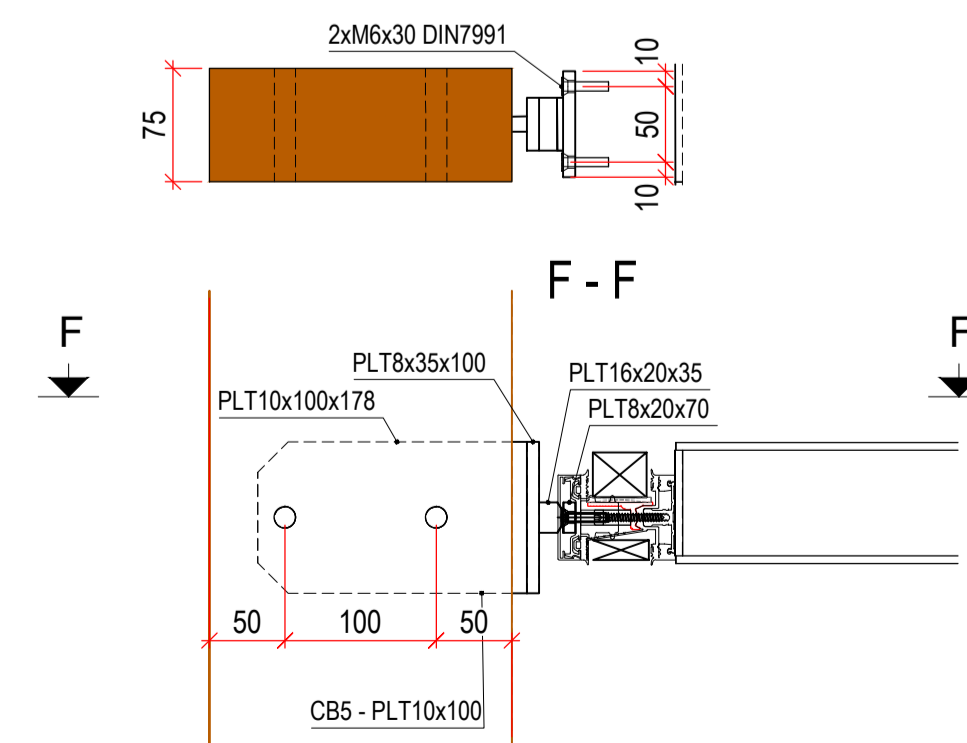
DETAIL 3 - PLAN VIEW
Scale 1:10



E - E



DETAIL 3 - 3D VIEW
Scale: 1:7.5



DETAIL 4
Scale 1:5