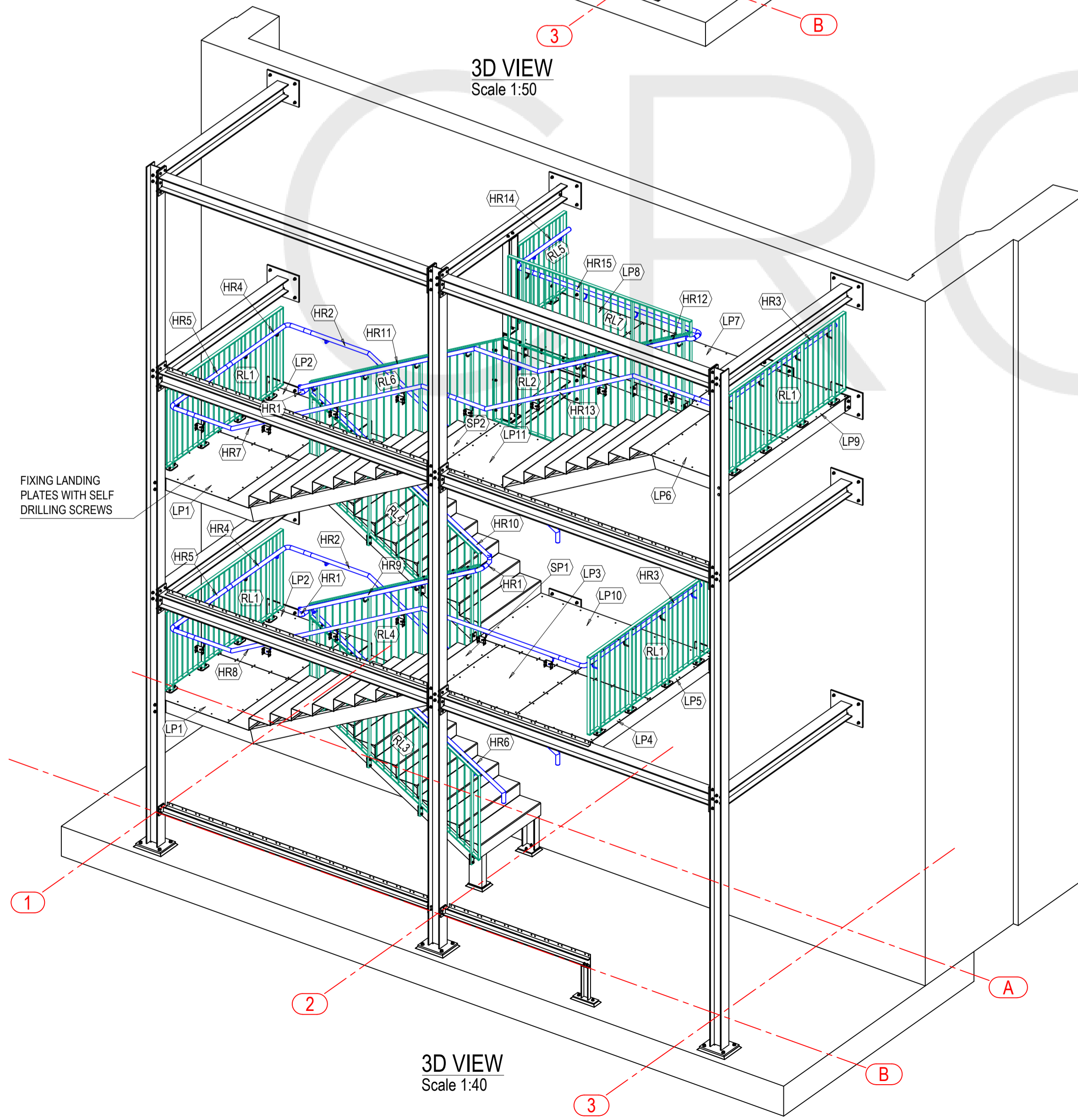
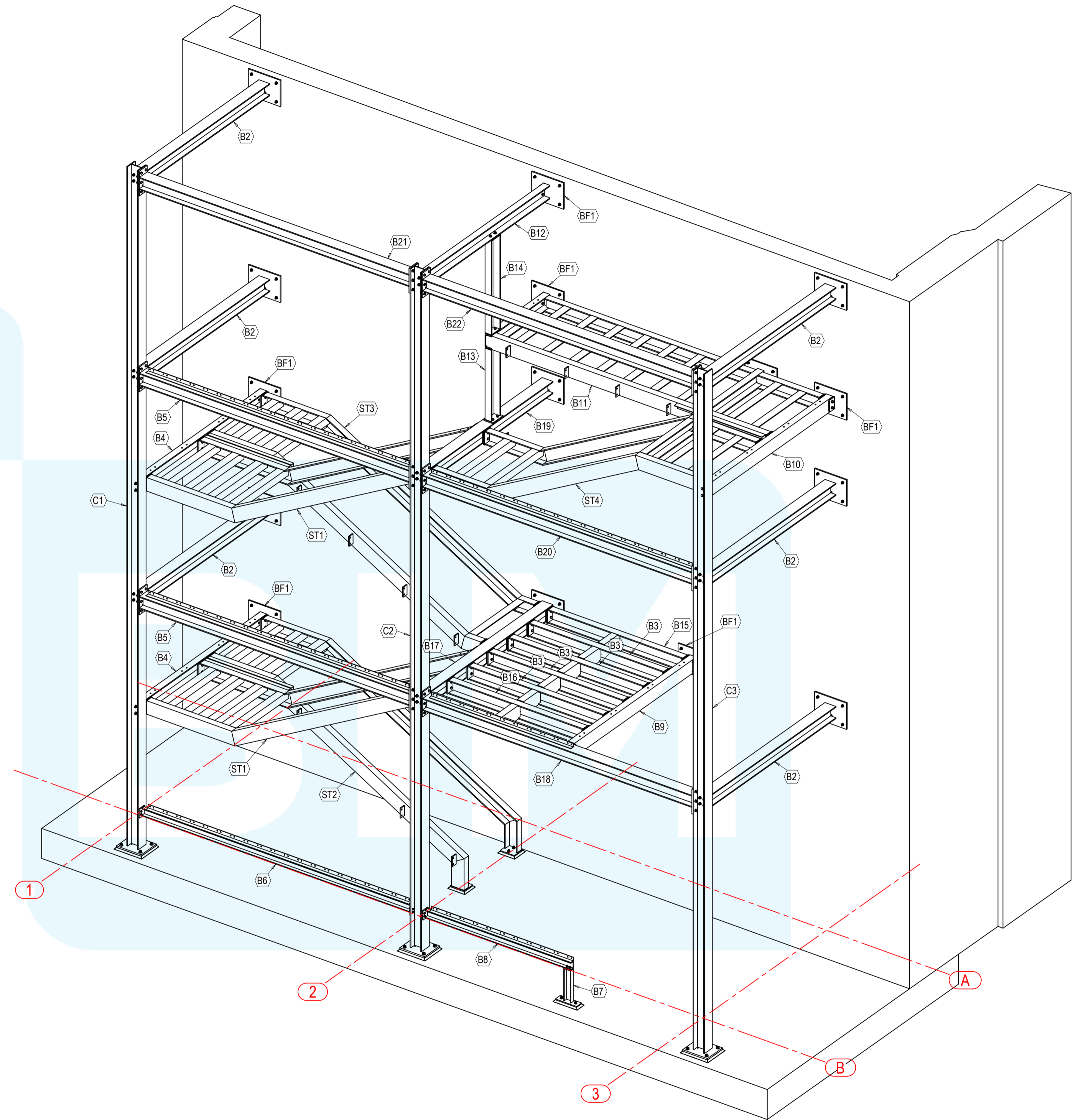


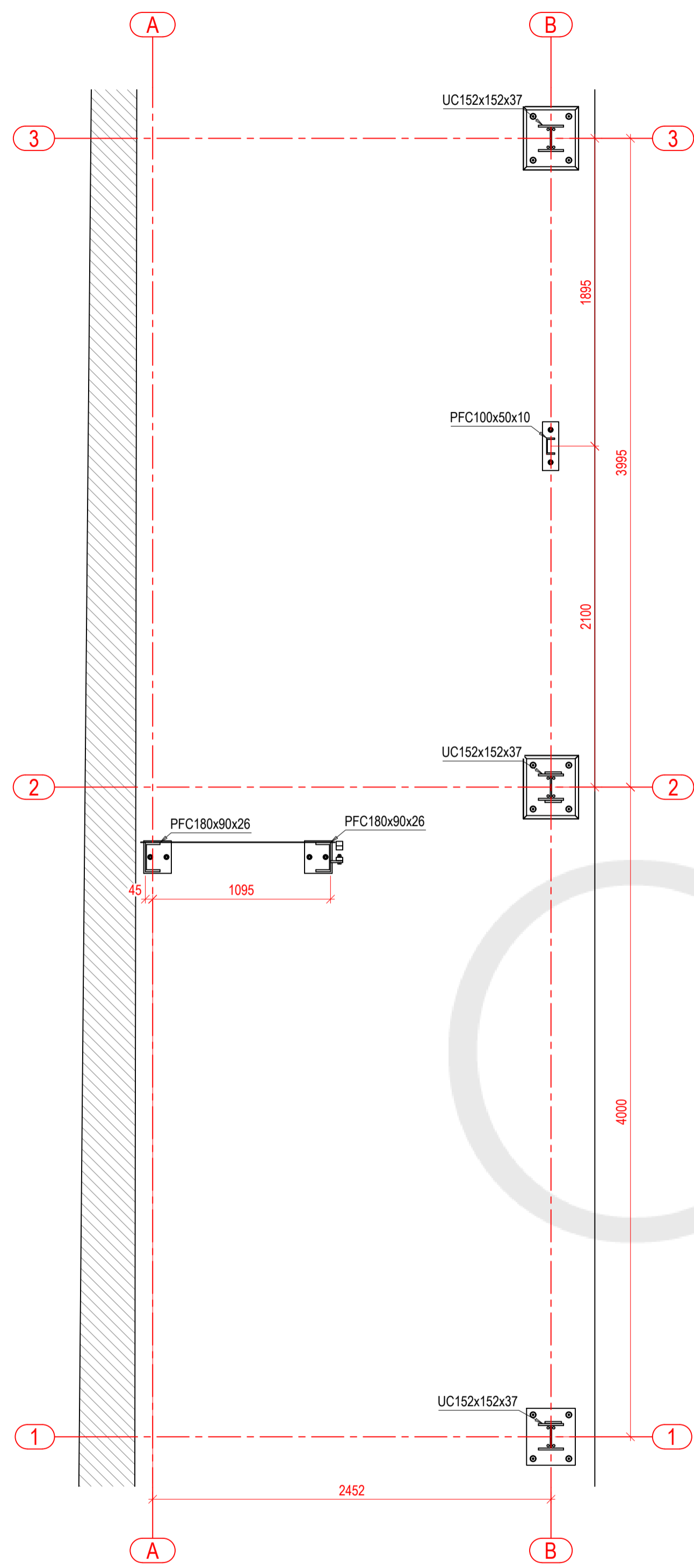
3D VIEW
Scale 1:50



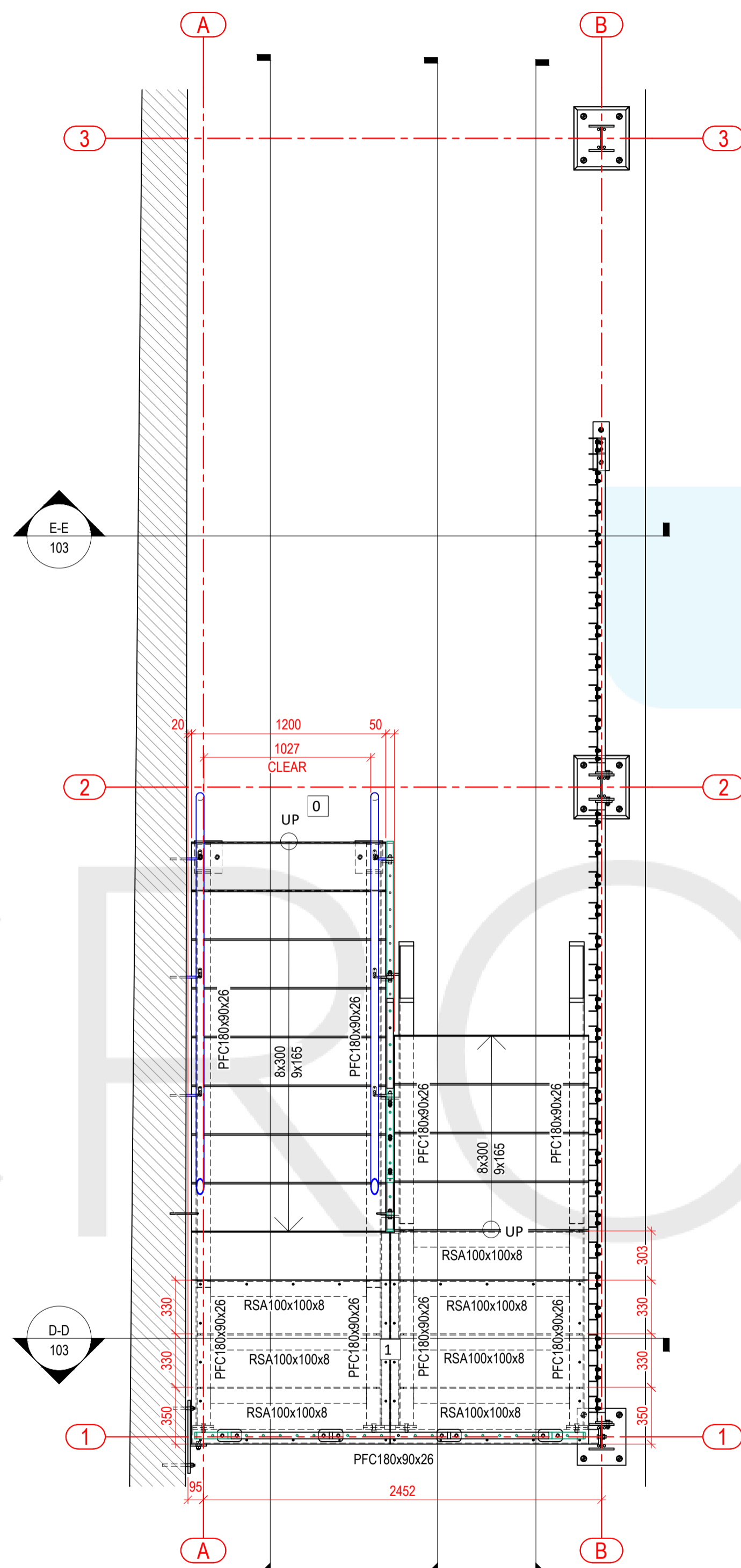
3D VIEW
Scale 1:40



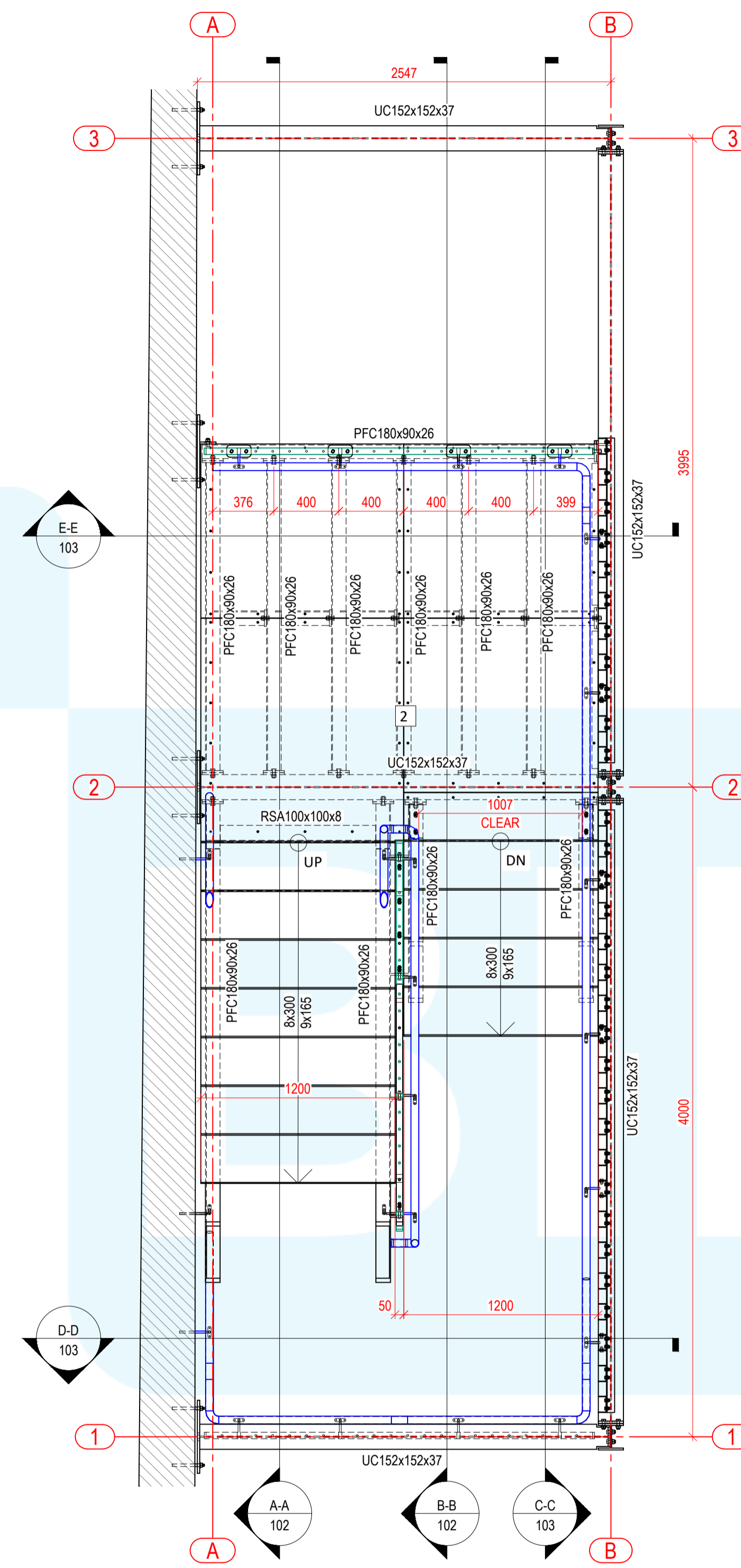
3D VIEW - STRUCTURAL
Scale 1:33 1/3



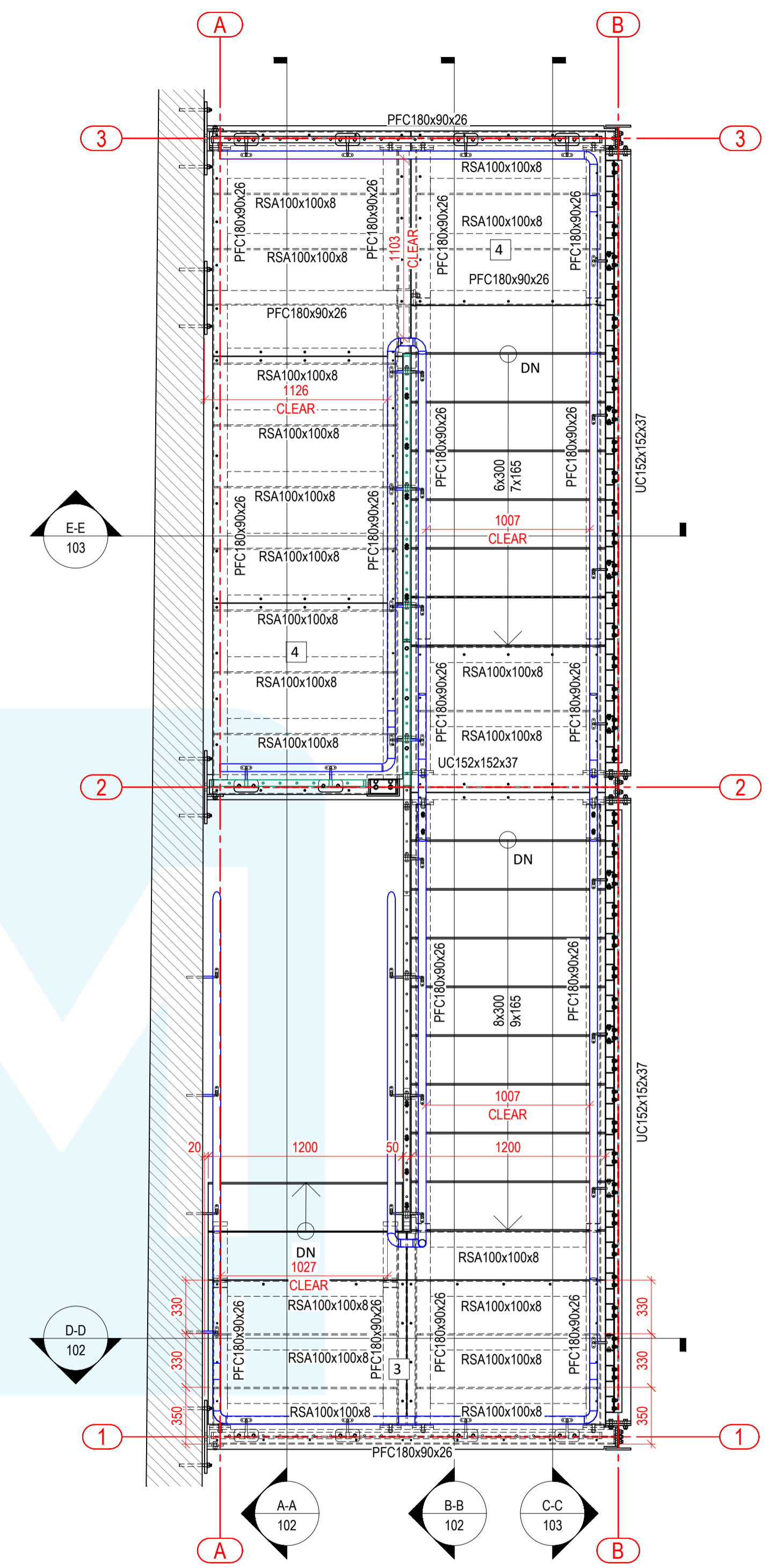
ANCHOR PLAN
Scale 1:25



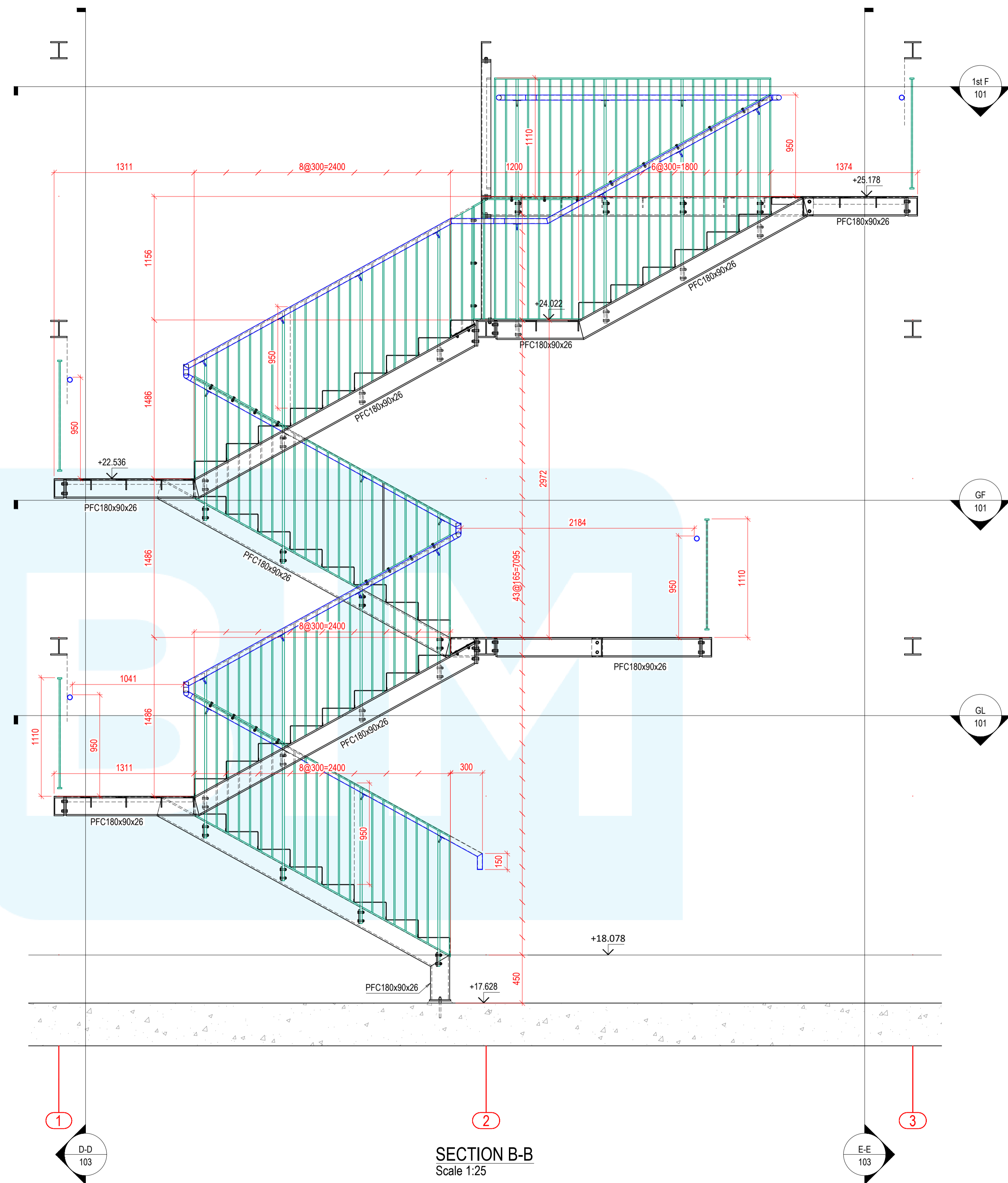
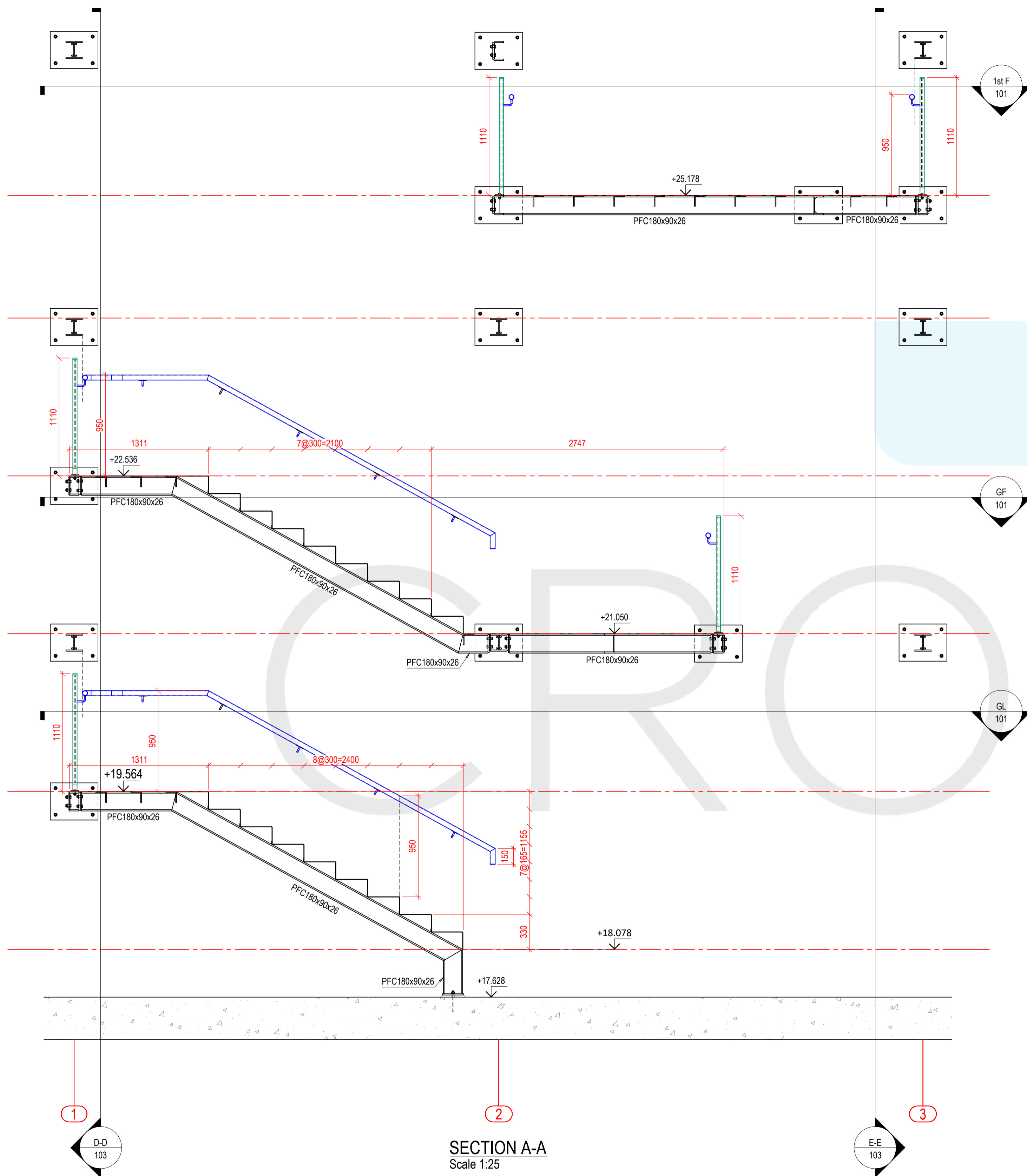
GROUND LEVEL PLAN
Scale 1:25

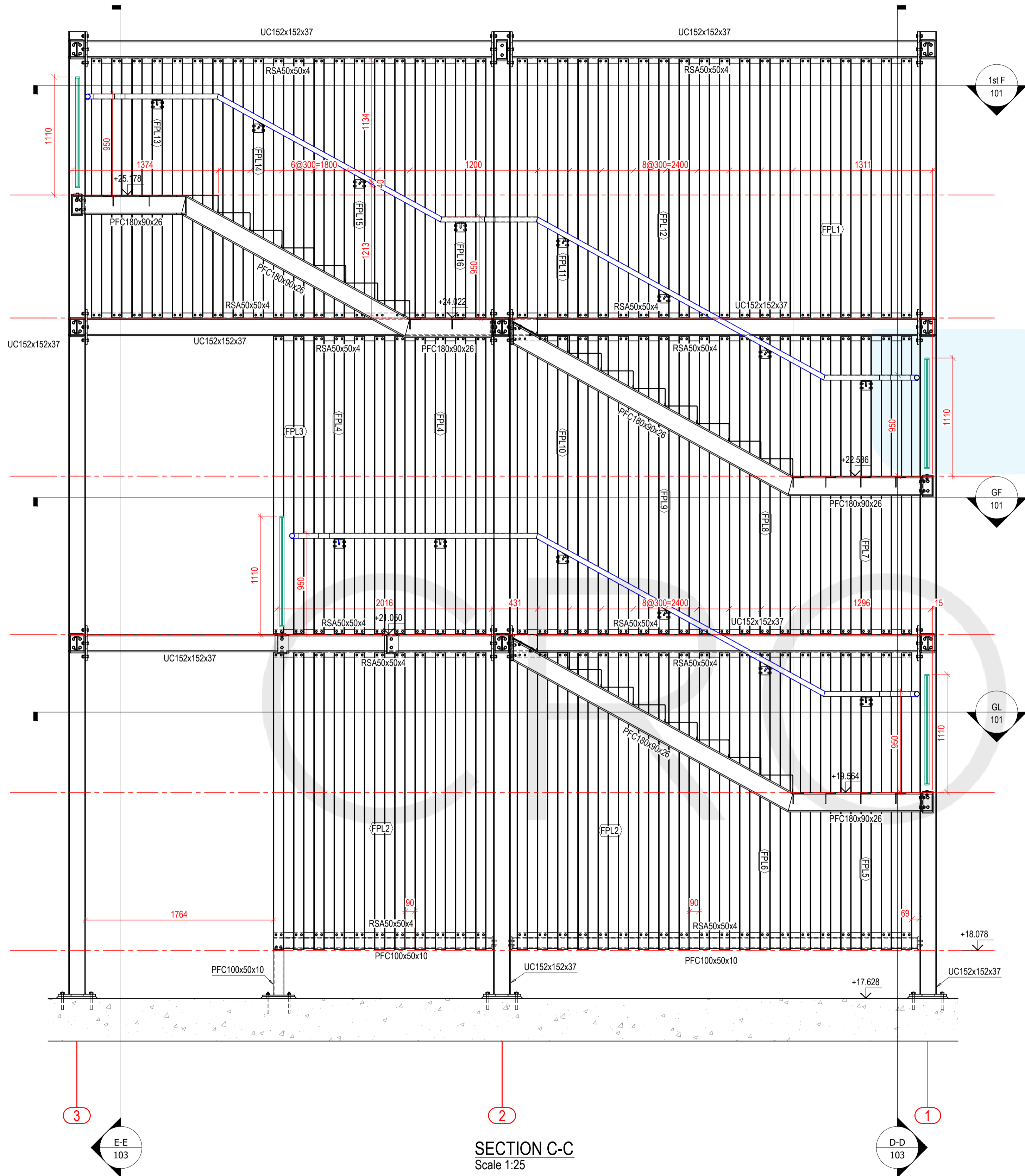


GROUND FLOOR PLAN
Scale 1:25

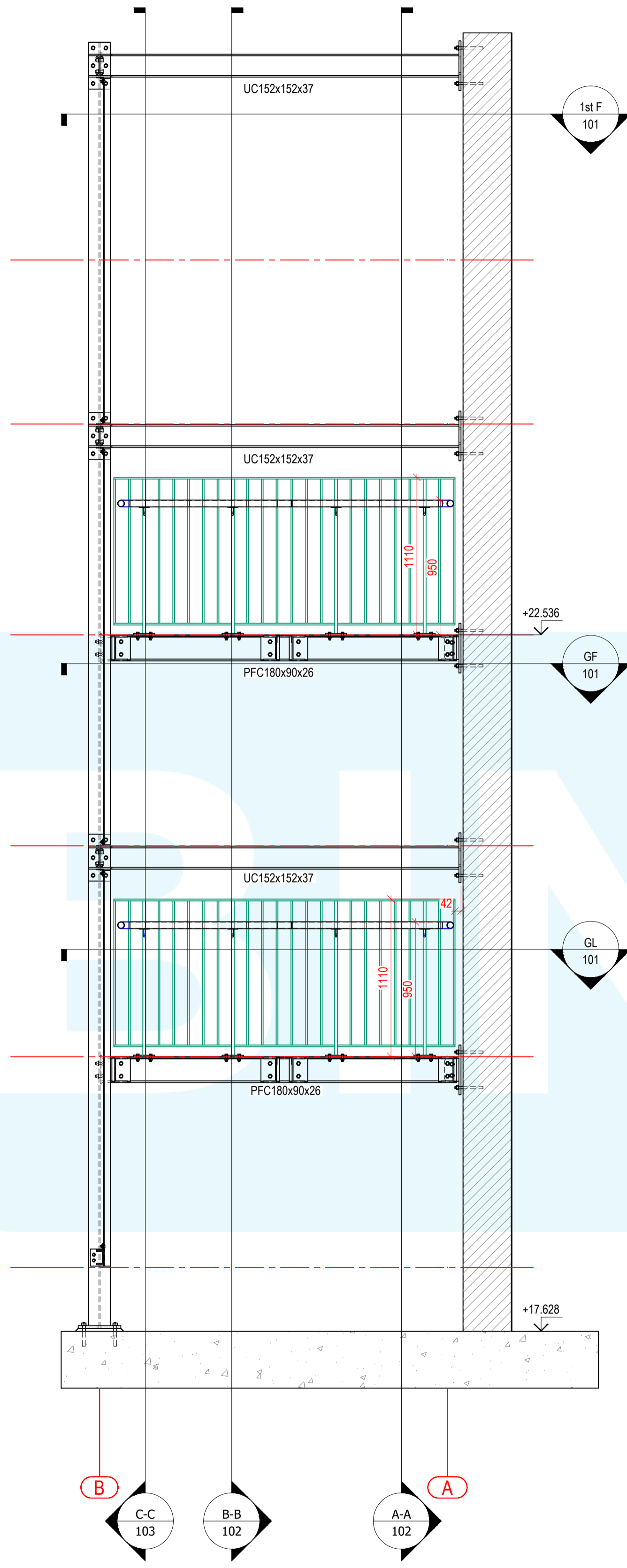


FIRST FLOOR PLAN
Scale 1:25

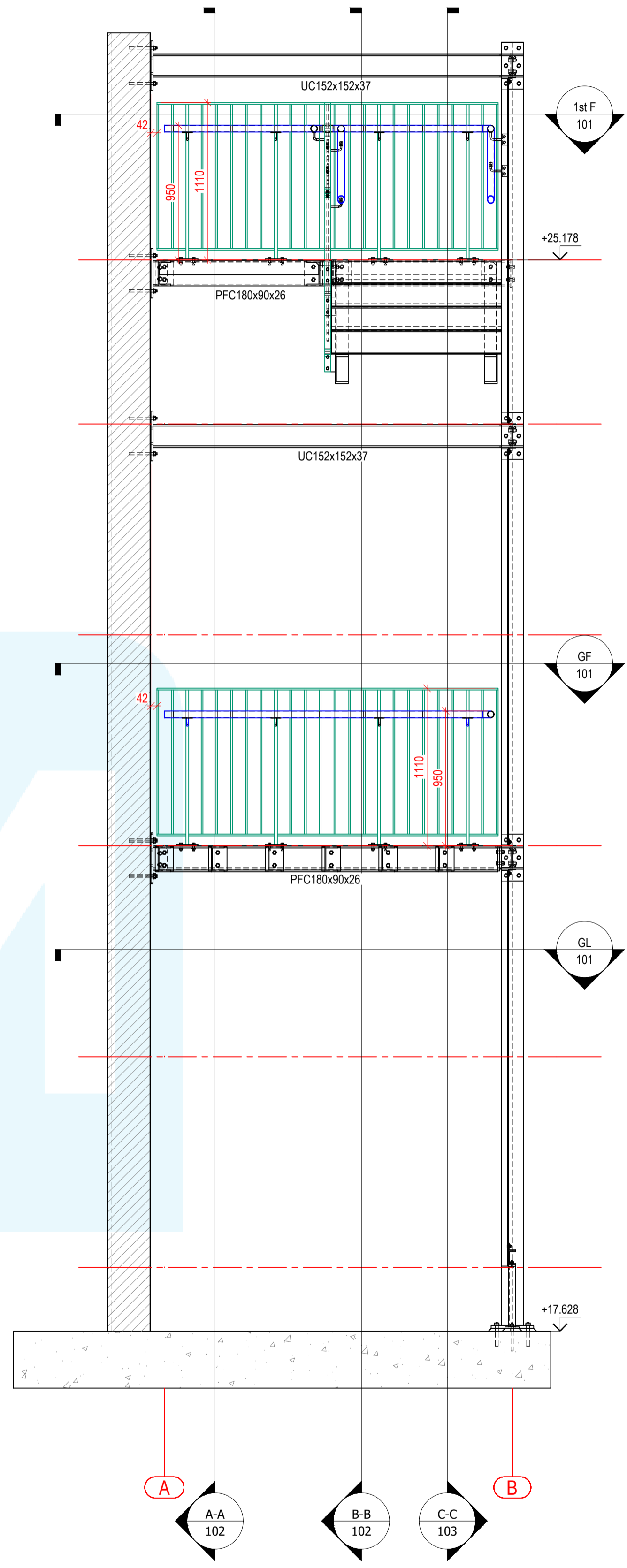




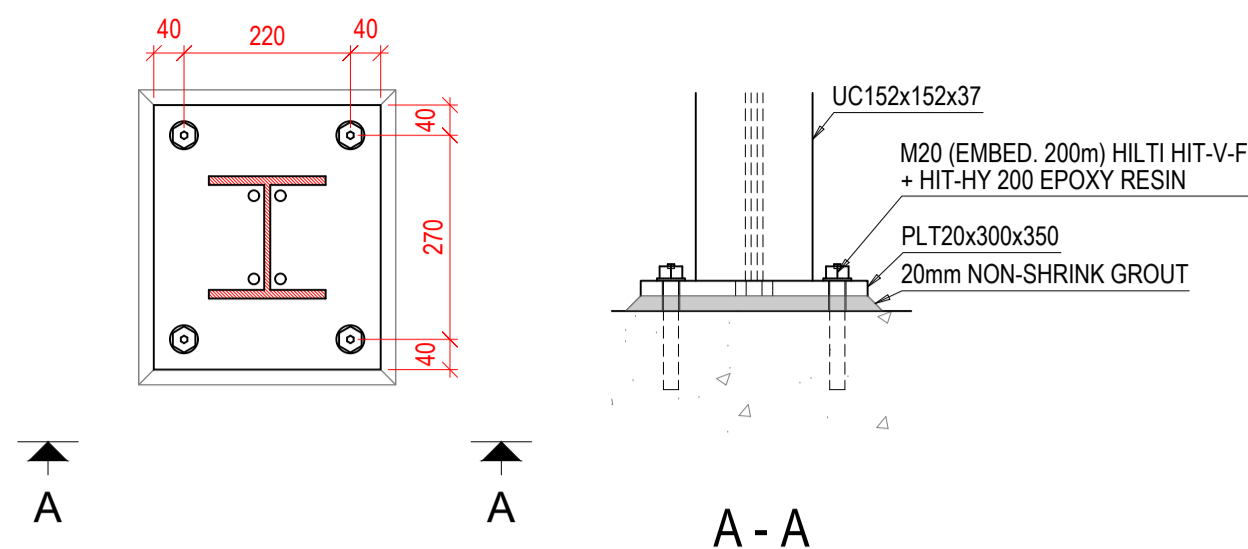
SECTION C-C
Scale 1:25



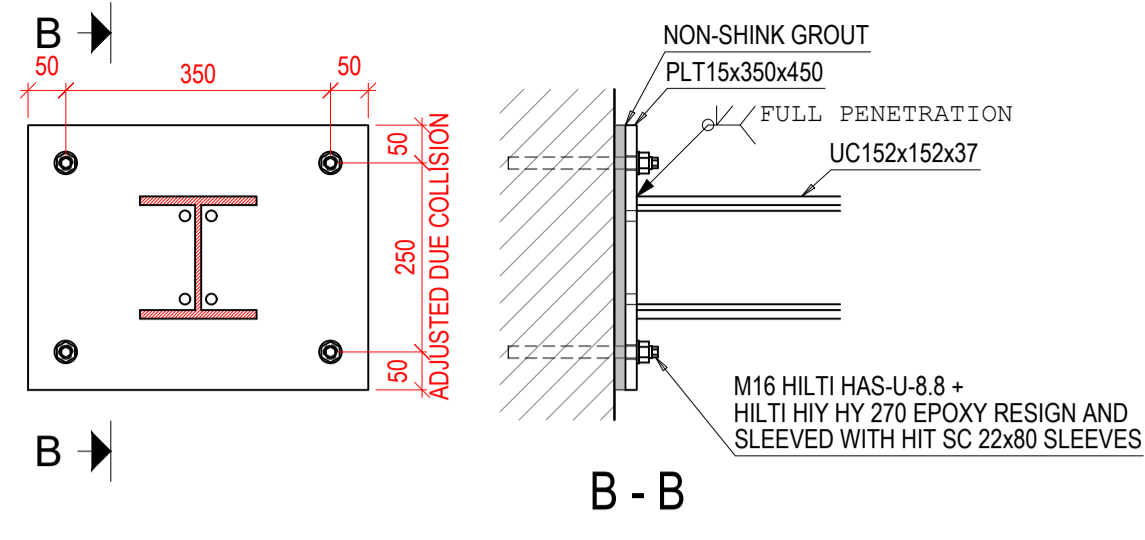
SECTION D-D
Scale 1:25



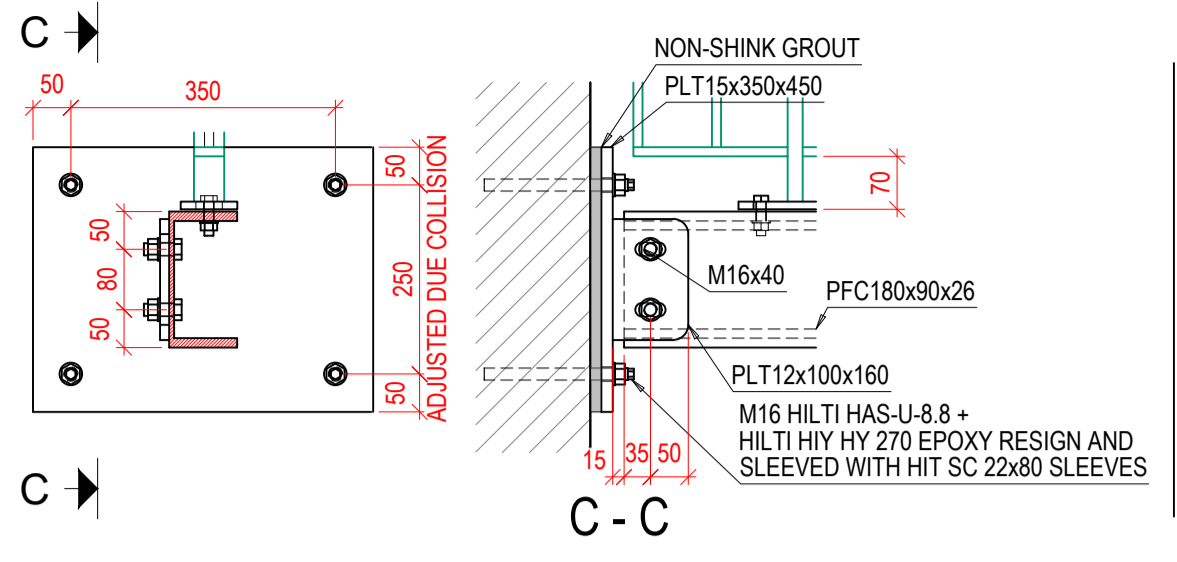
SECTION E-E
Scale 1:25



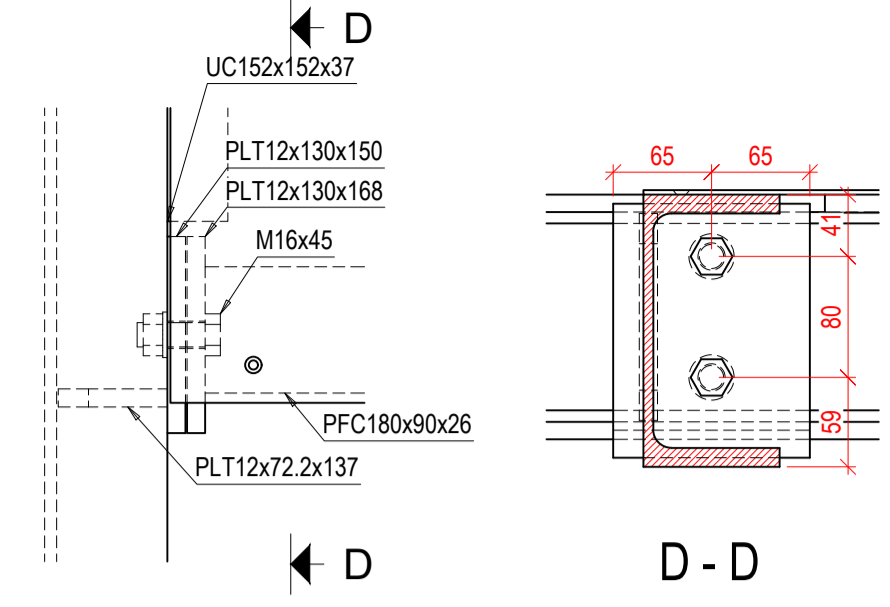
BASE PLATE DETAIL
Scale 1:10



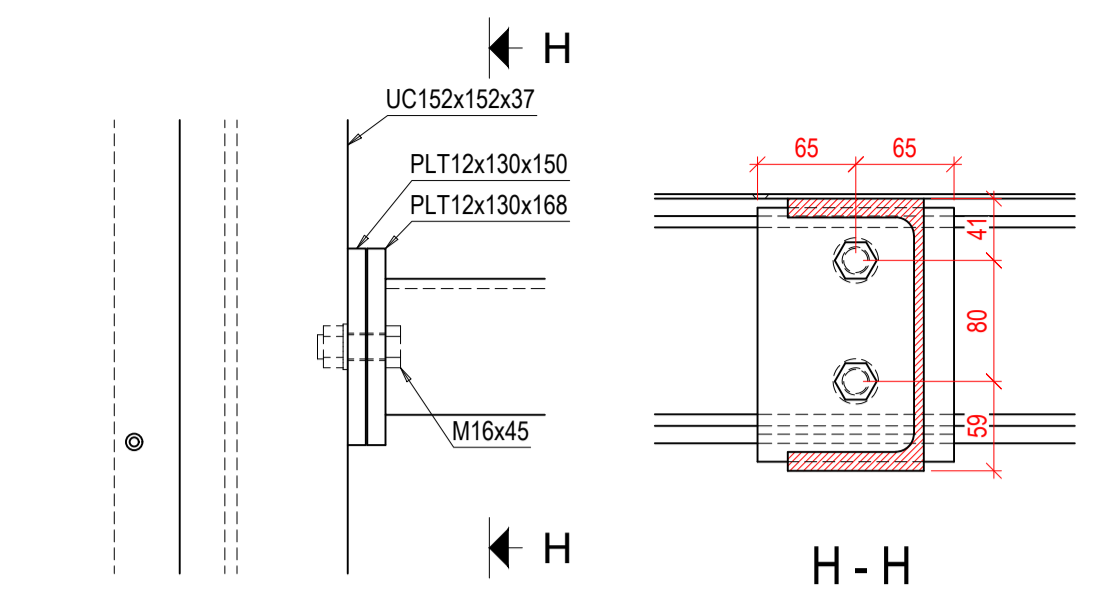
UC TO EX. WALL DETAIL
Scale 1:10



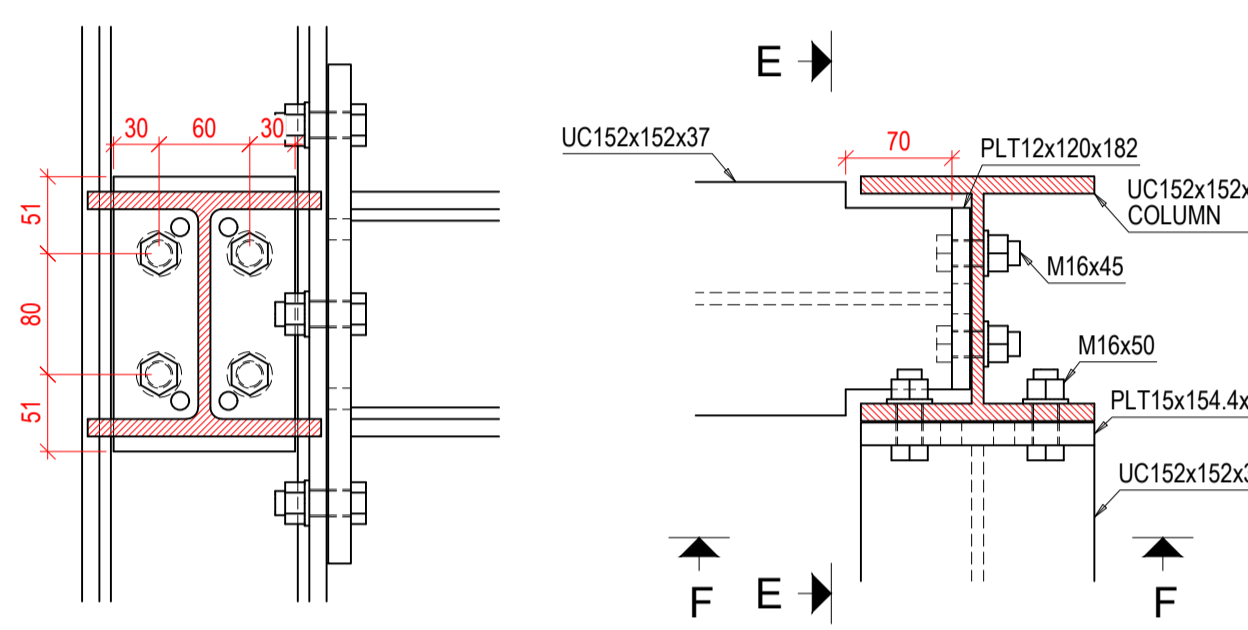
PFC TO EX. WALL DETAIL
Scale 1:10



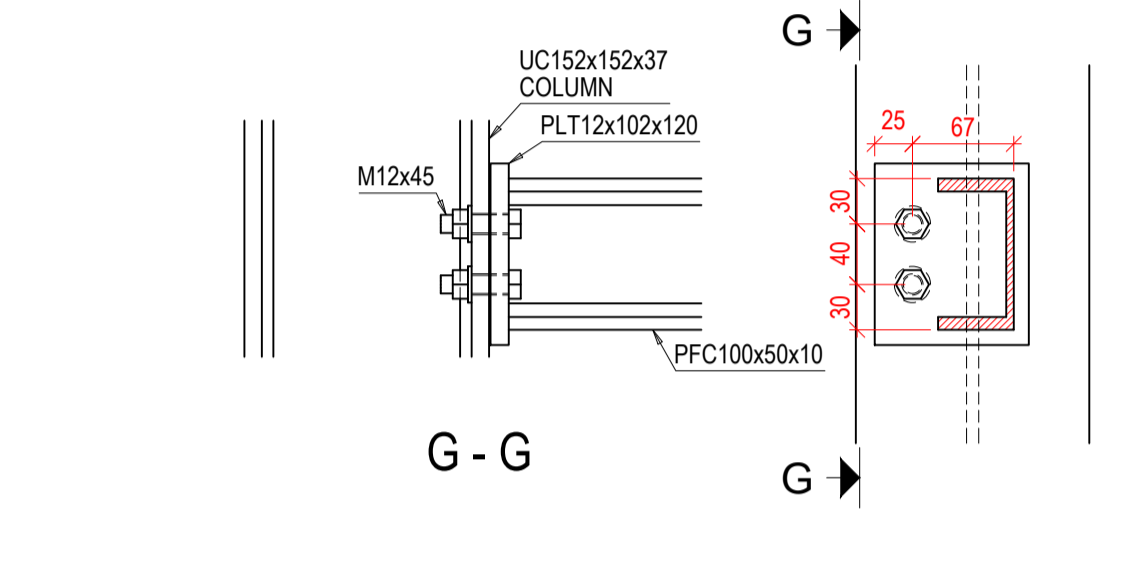
PFC180 TO UC152 DETAIL 1
Scale 1:5



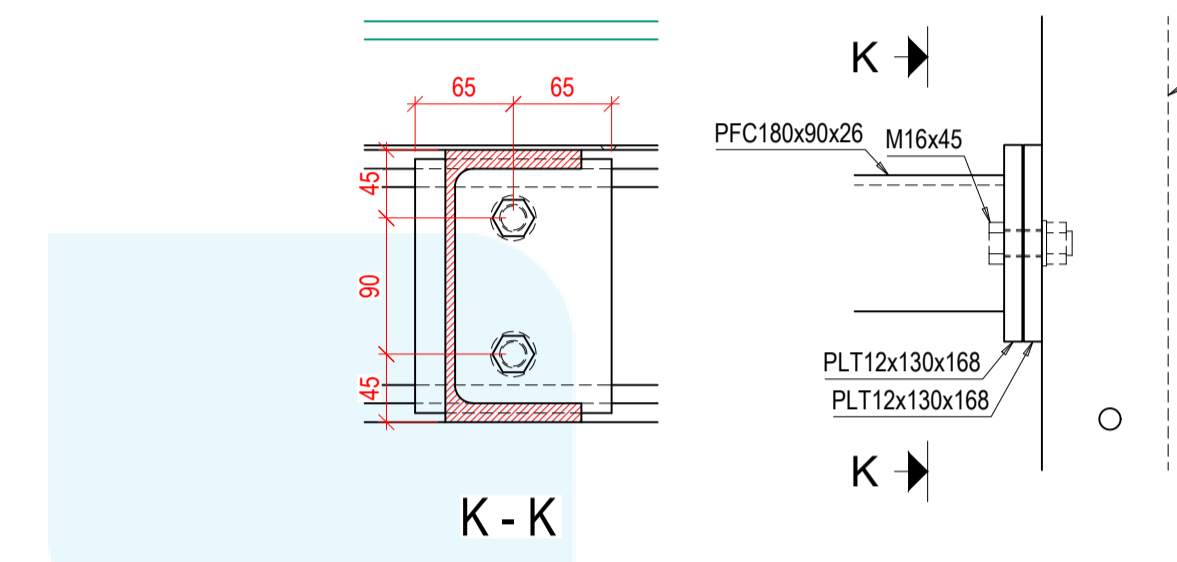
PF180 TO UC152 DETAIL 2
Scale 1:5



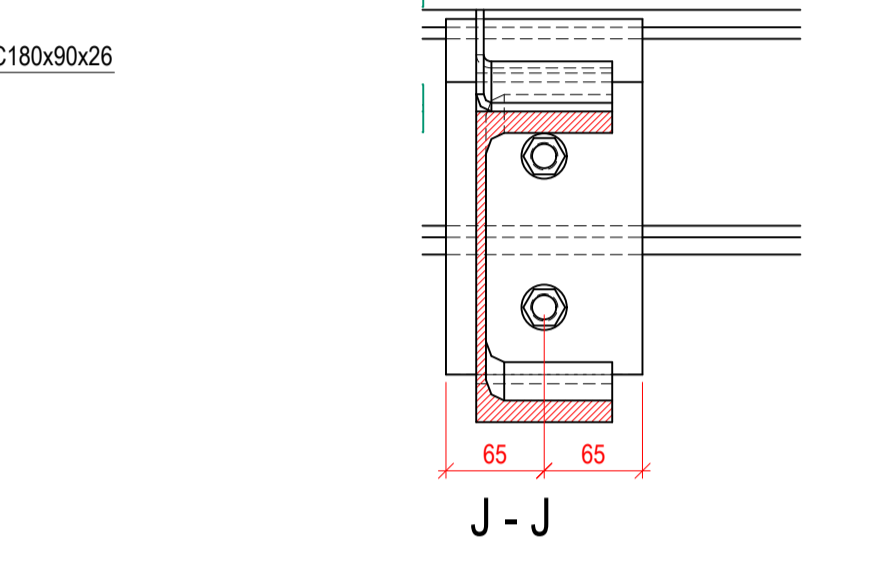
UC BEAM TO COLUMN DETAIL
Scale 1:5



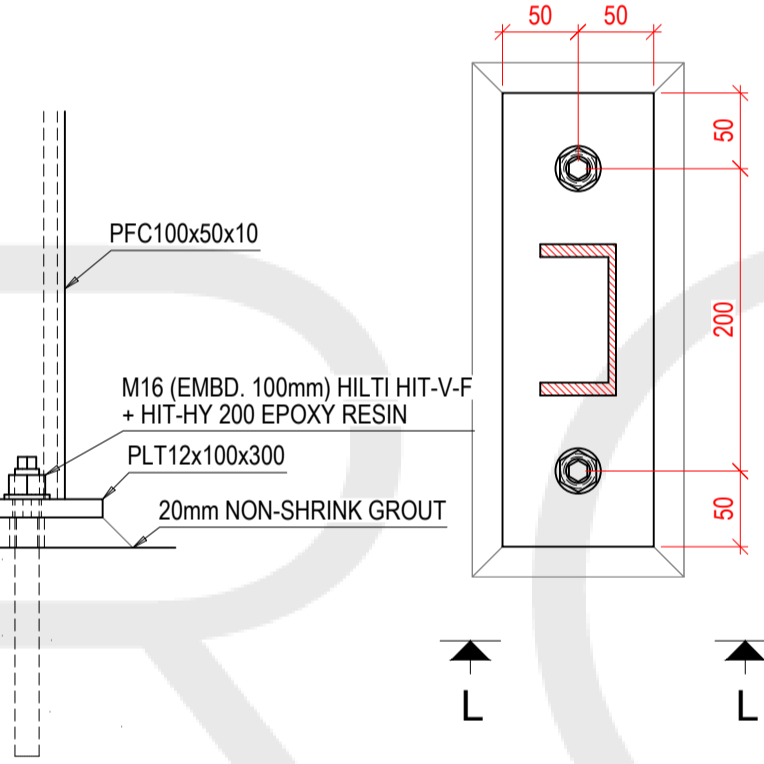
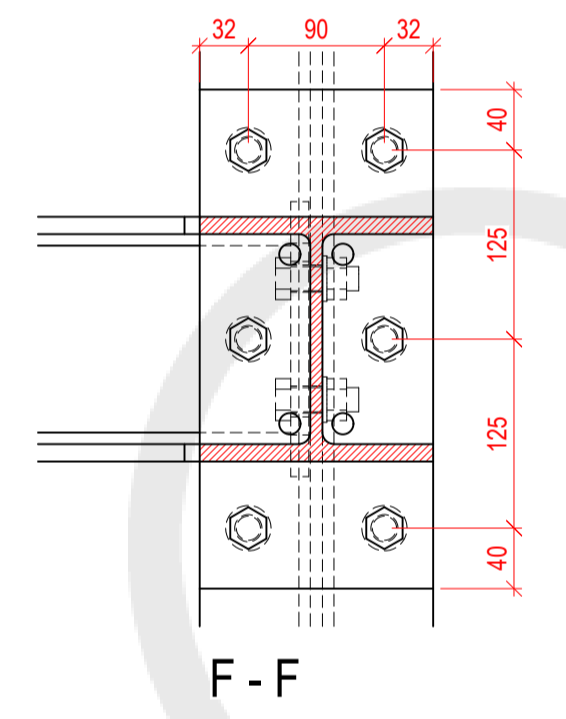
PFC100 TO COLUMN DETAIL
Scale 1:5



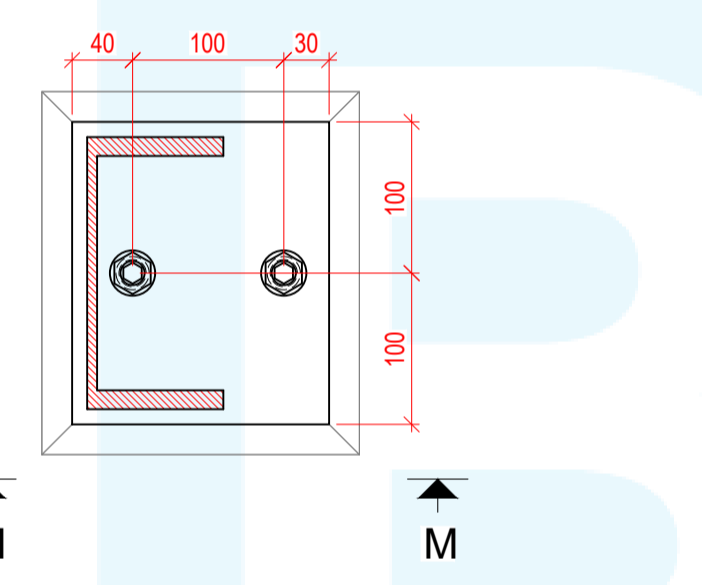
PFC180 TO PFC180 DETAIL
Scale 1:5



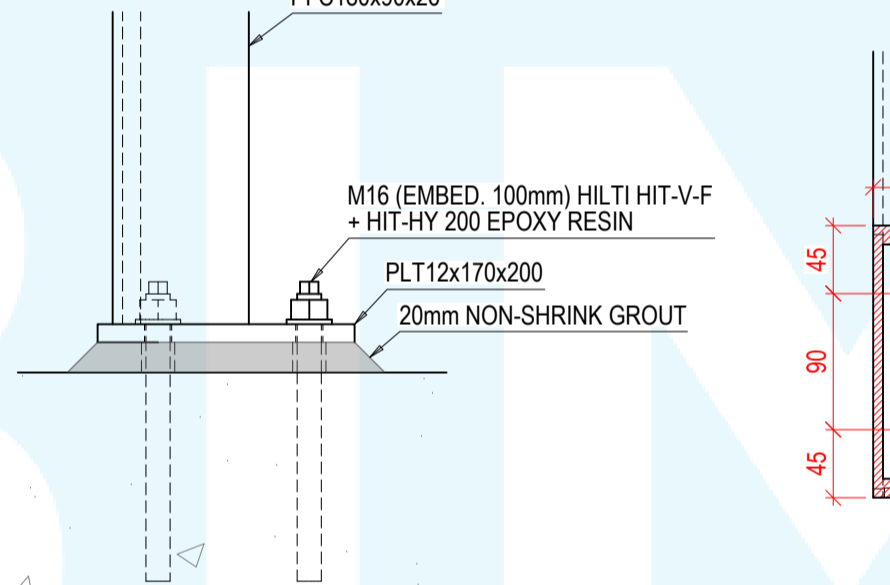
STRINGER TO UC152 DETAIL
Scale 1:5



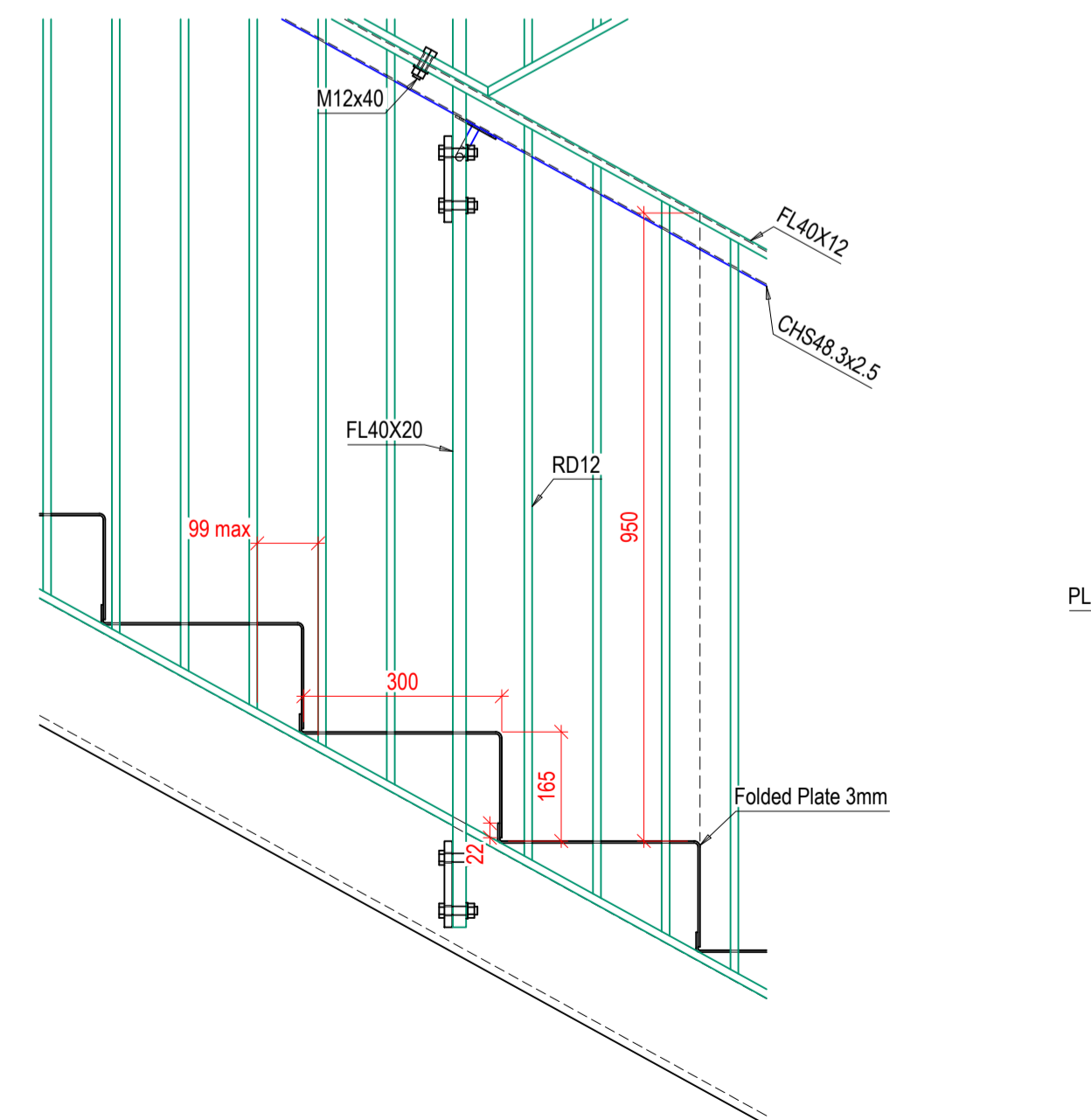
BASE PLATE DETAIL 2
Scale 1:5



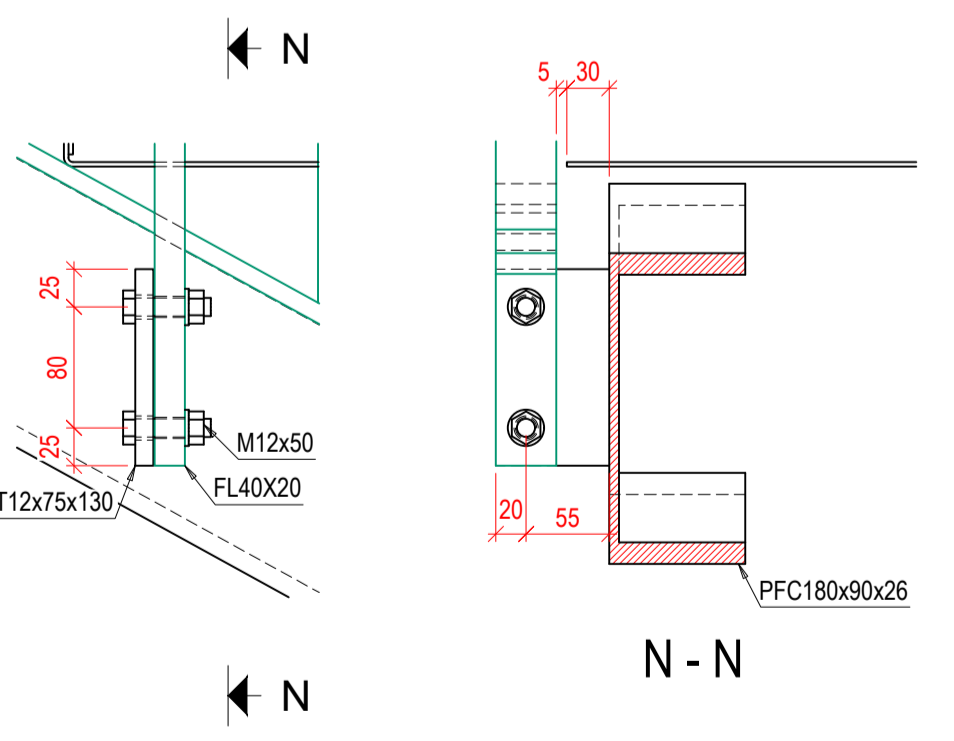
BASE PLATE DETAIL 3
Scale 1:5



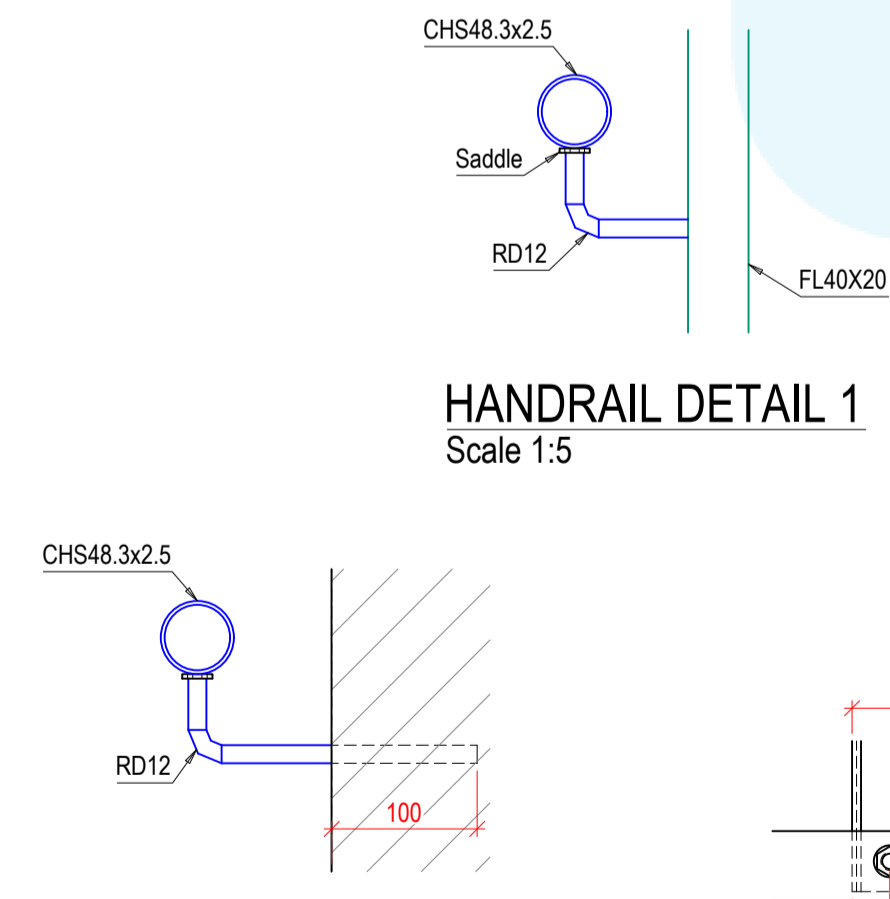
COLUMN PFC TO BEAM PFC
Scale 1:5



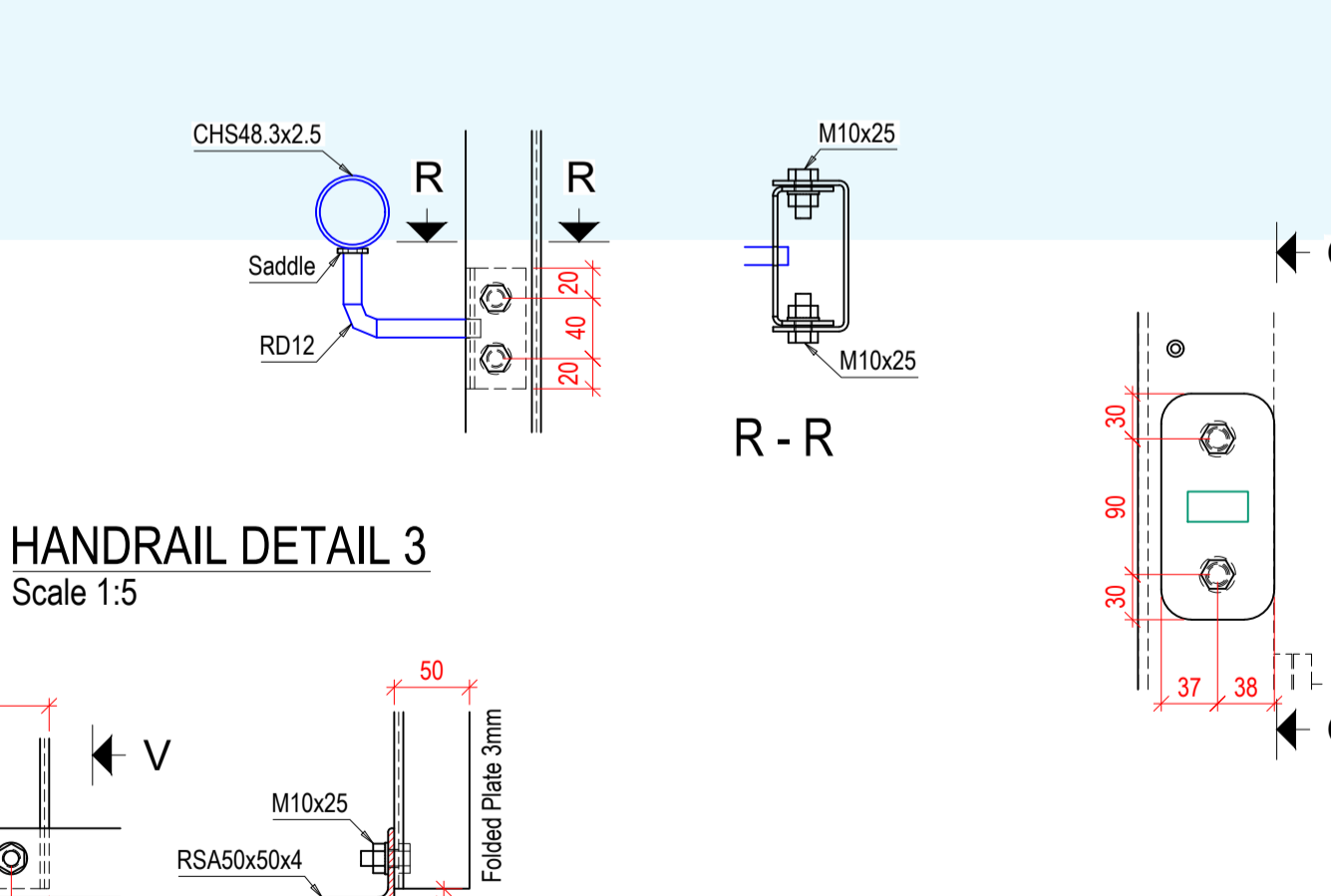
RAILINGS DETAIL
Scale 1:10



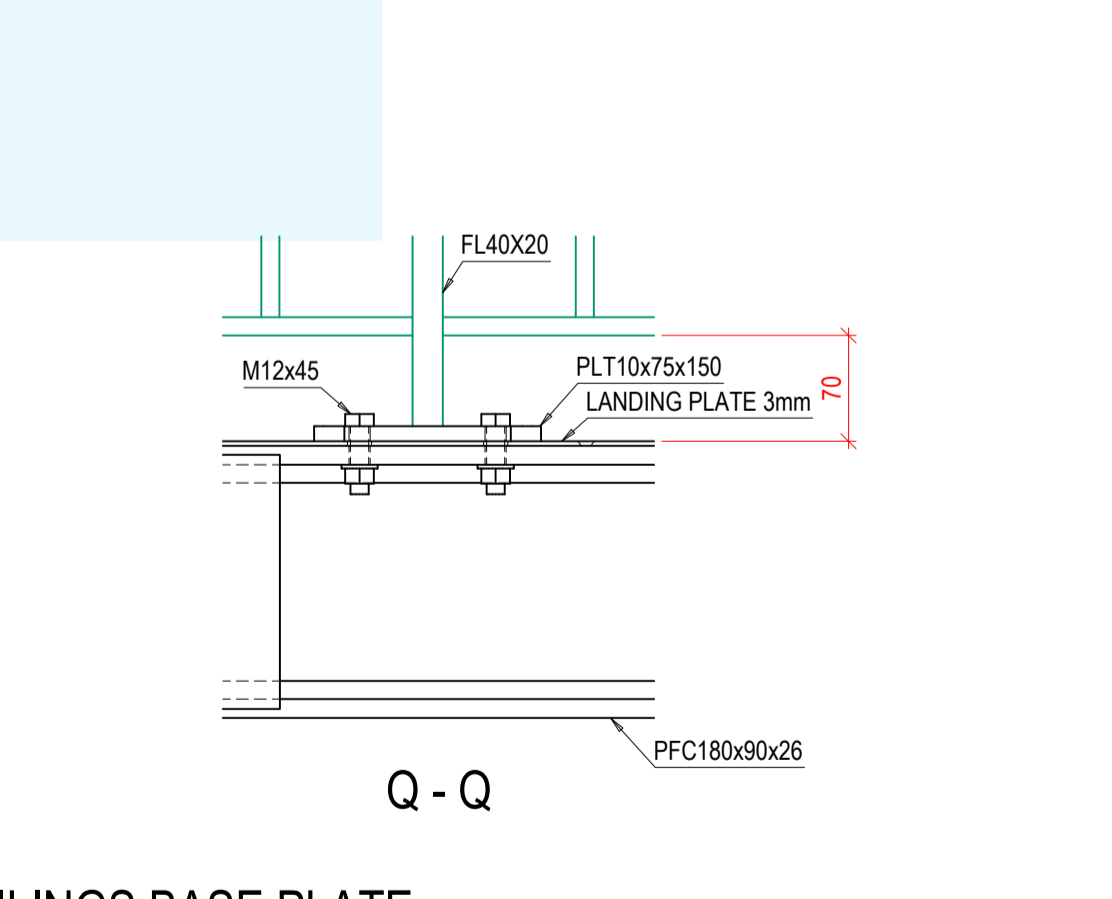
RAILINGS TO STRINGER DETAIL
Scale 1:5



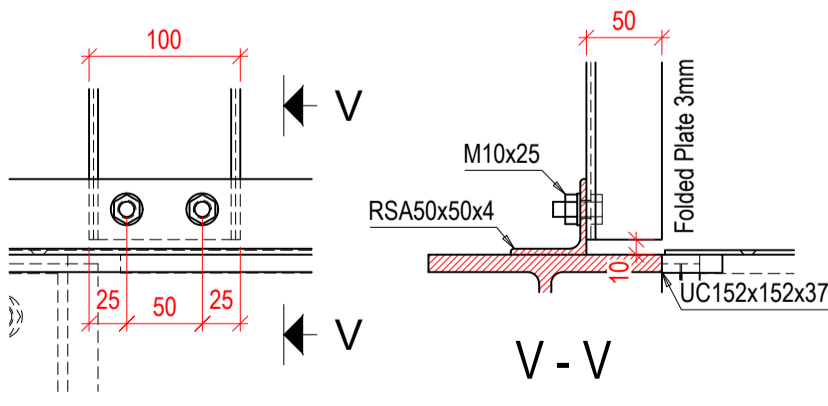
HANDRAIL DETAIL 1
Scale 1:5



HANDRAIL DETAIL 3
Scale 1:5



RAILINGS BASE PLATE
Scale 1:5



PERFORATED METAL FIXING DETAIL
Scale 1:5