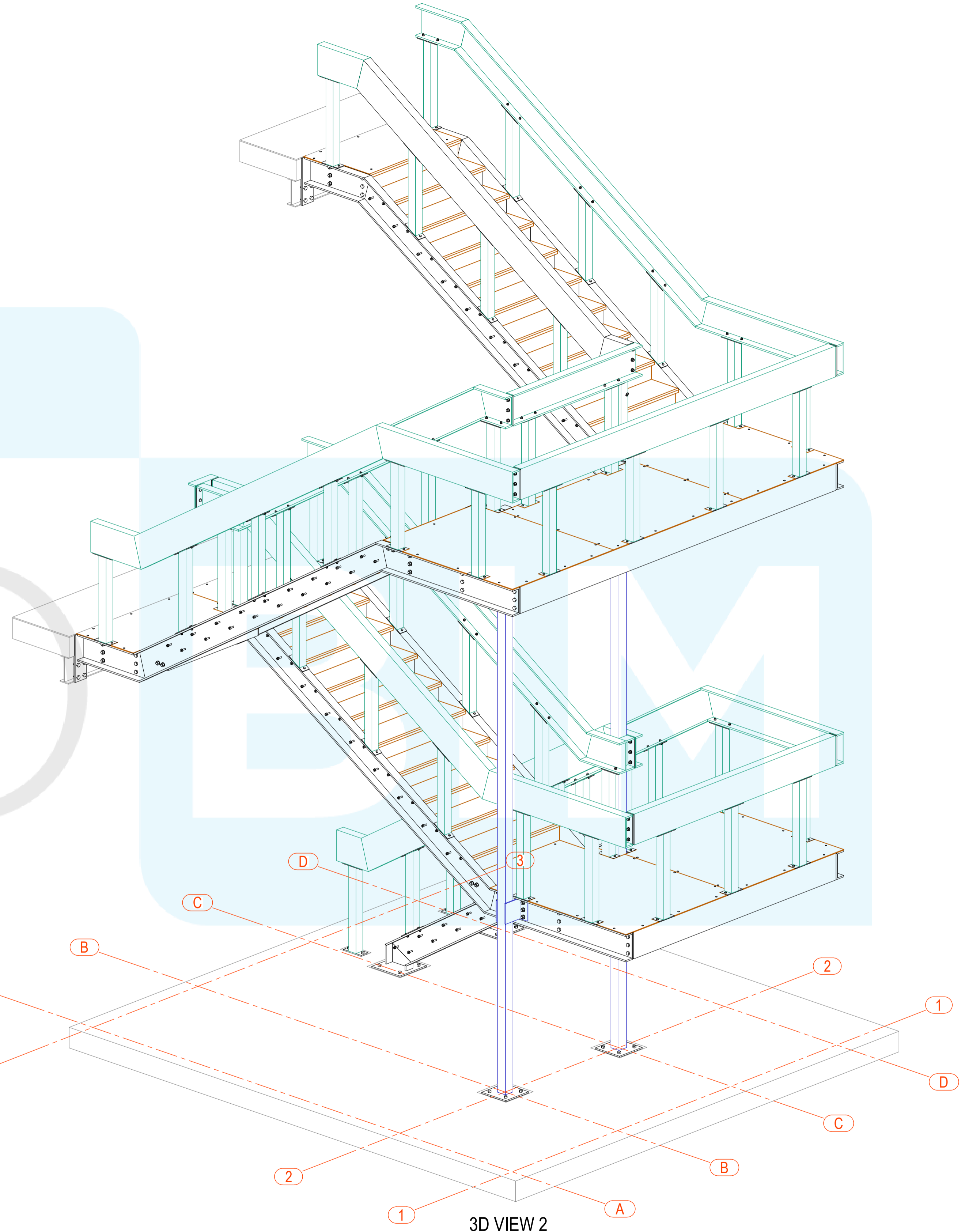
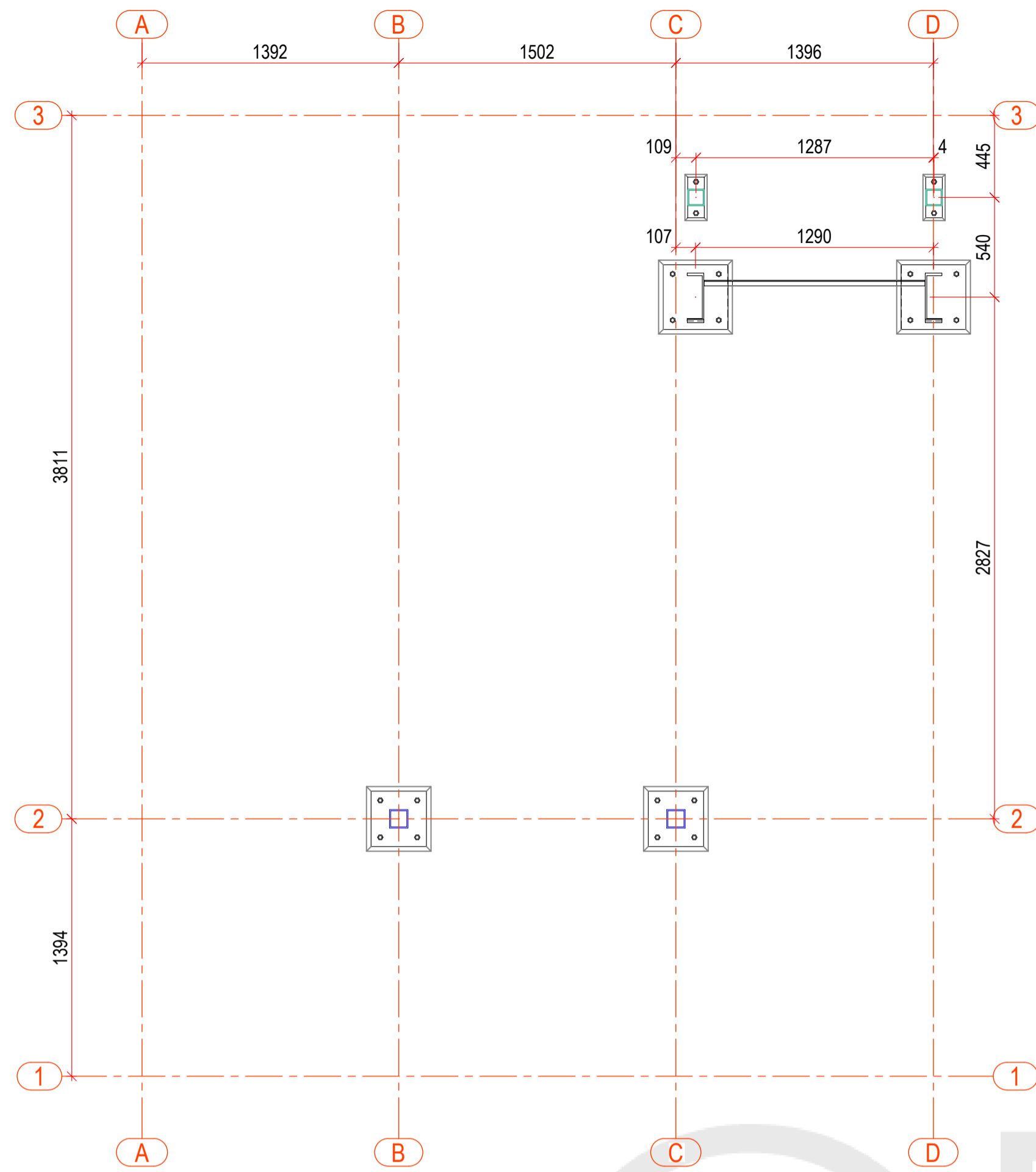


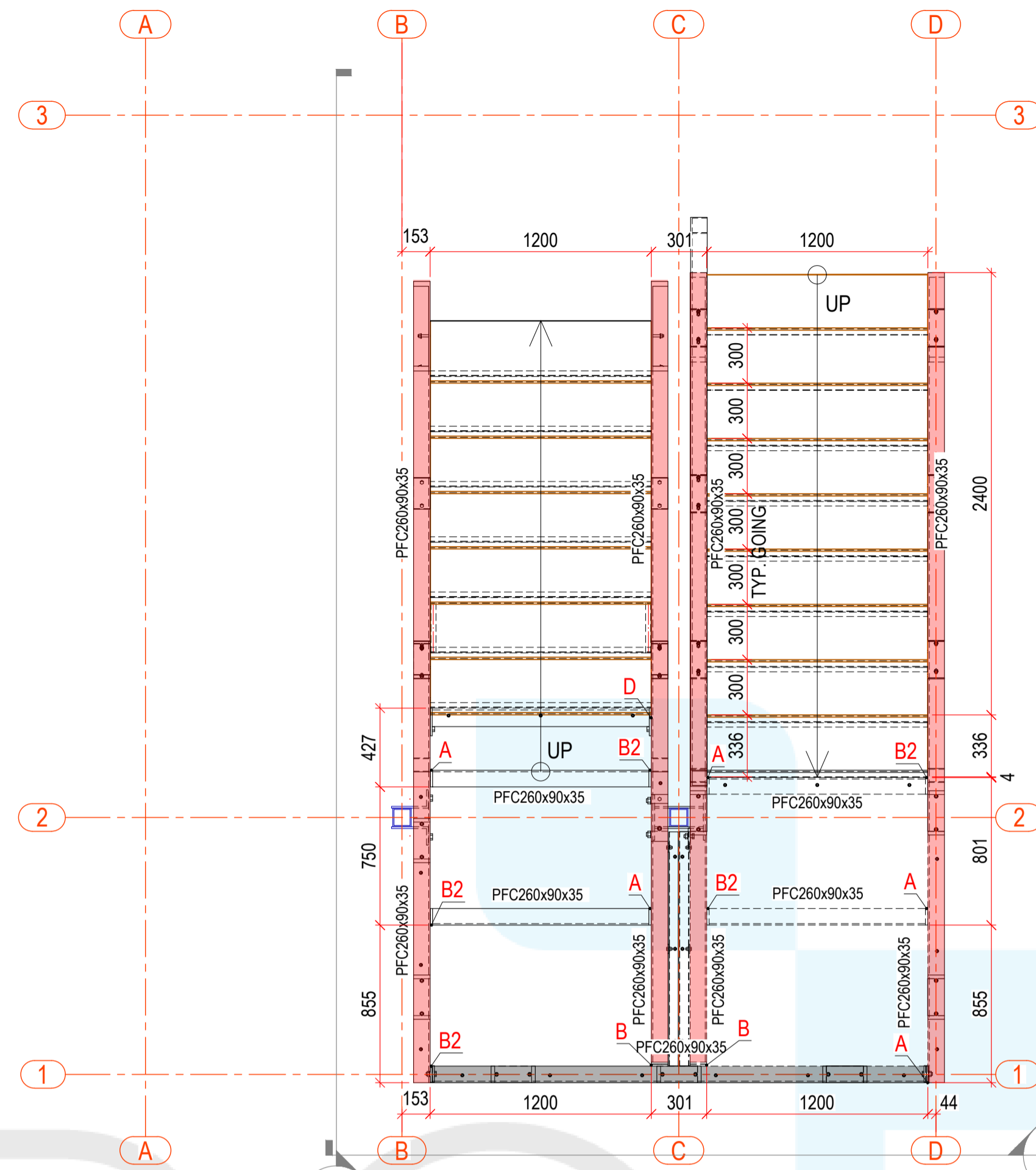
3D VIEW 1  
Scale: 1:25



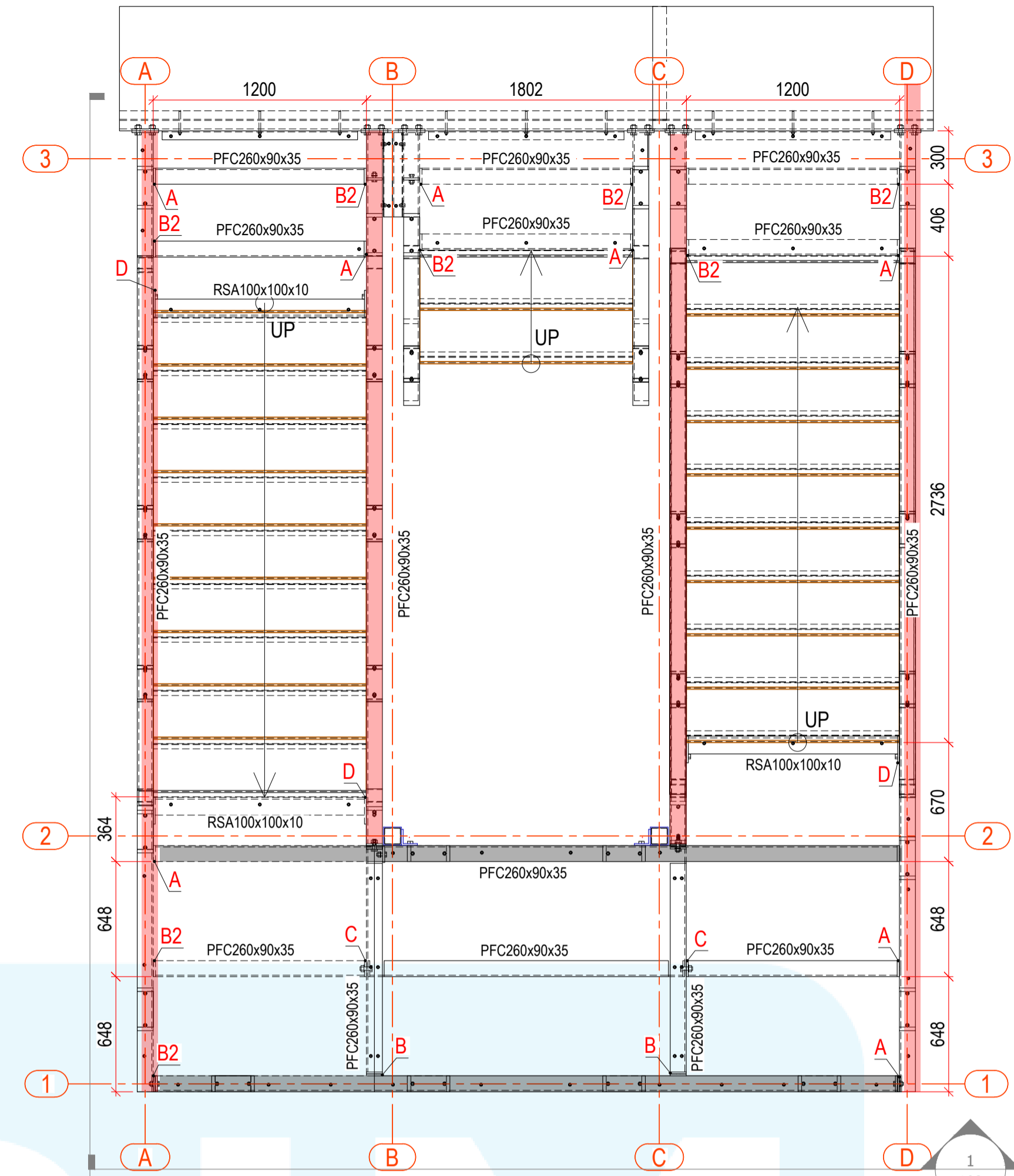
3D VIEW 2  
Scale: 1:25



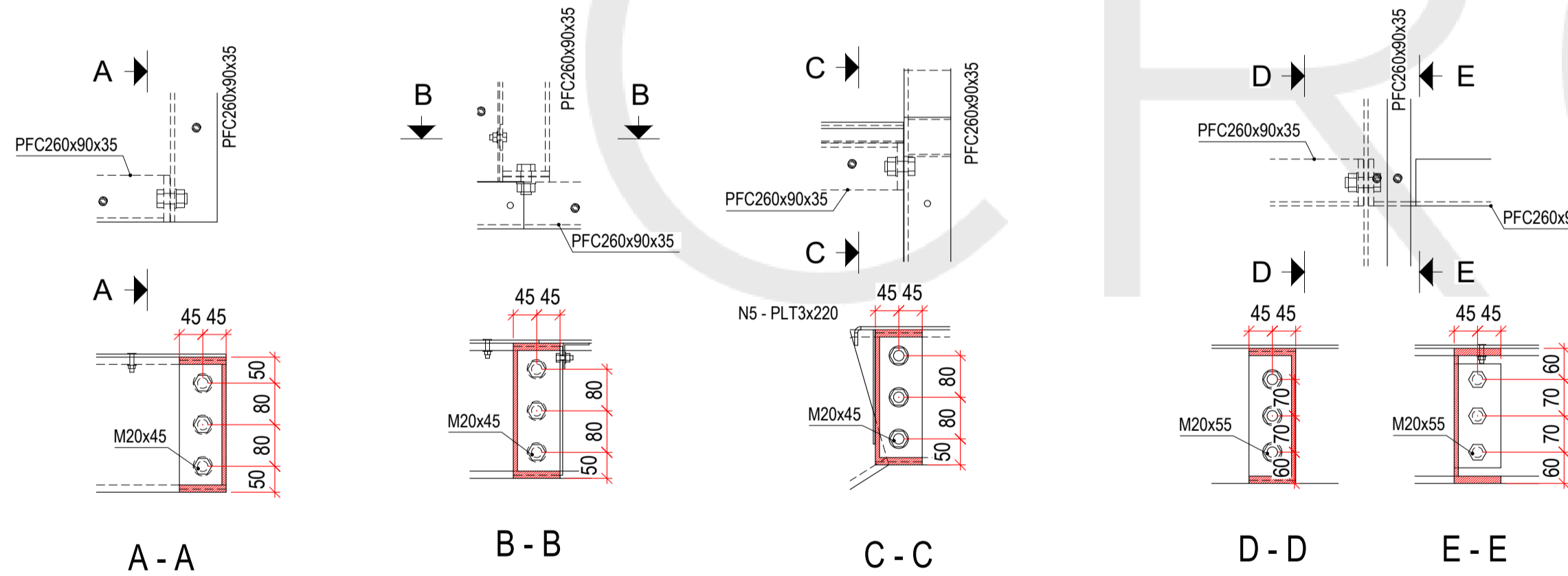
**ANCHOR PLAN**  
Scale: 1:25



**2ND FLOOR PLAN VIEW**  
Scale: 1:25



**3RD & 4TH FLOOR PLAN VIEW**  
Scale: 1:25



**A - A**

**B - B**

**C - C**

**D - D**

**E - E**

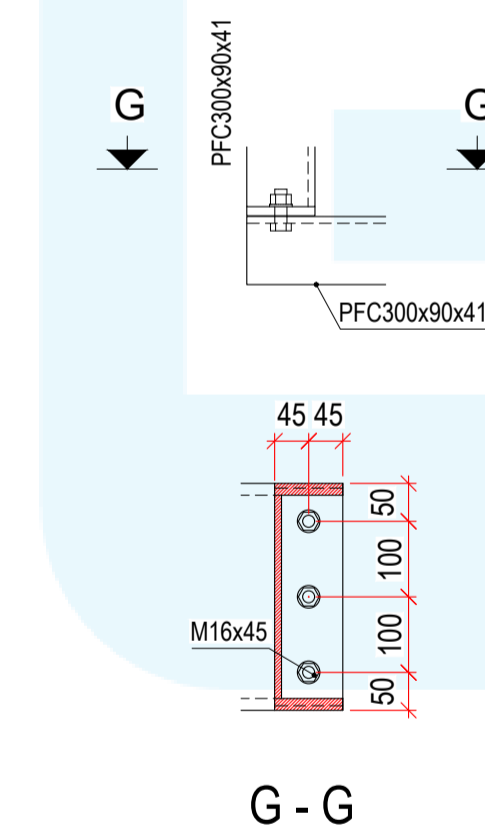
**DETAIL A**  
Scale: 1:10

**DETAIL B**  
Scale: 1:10

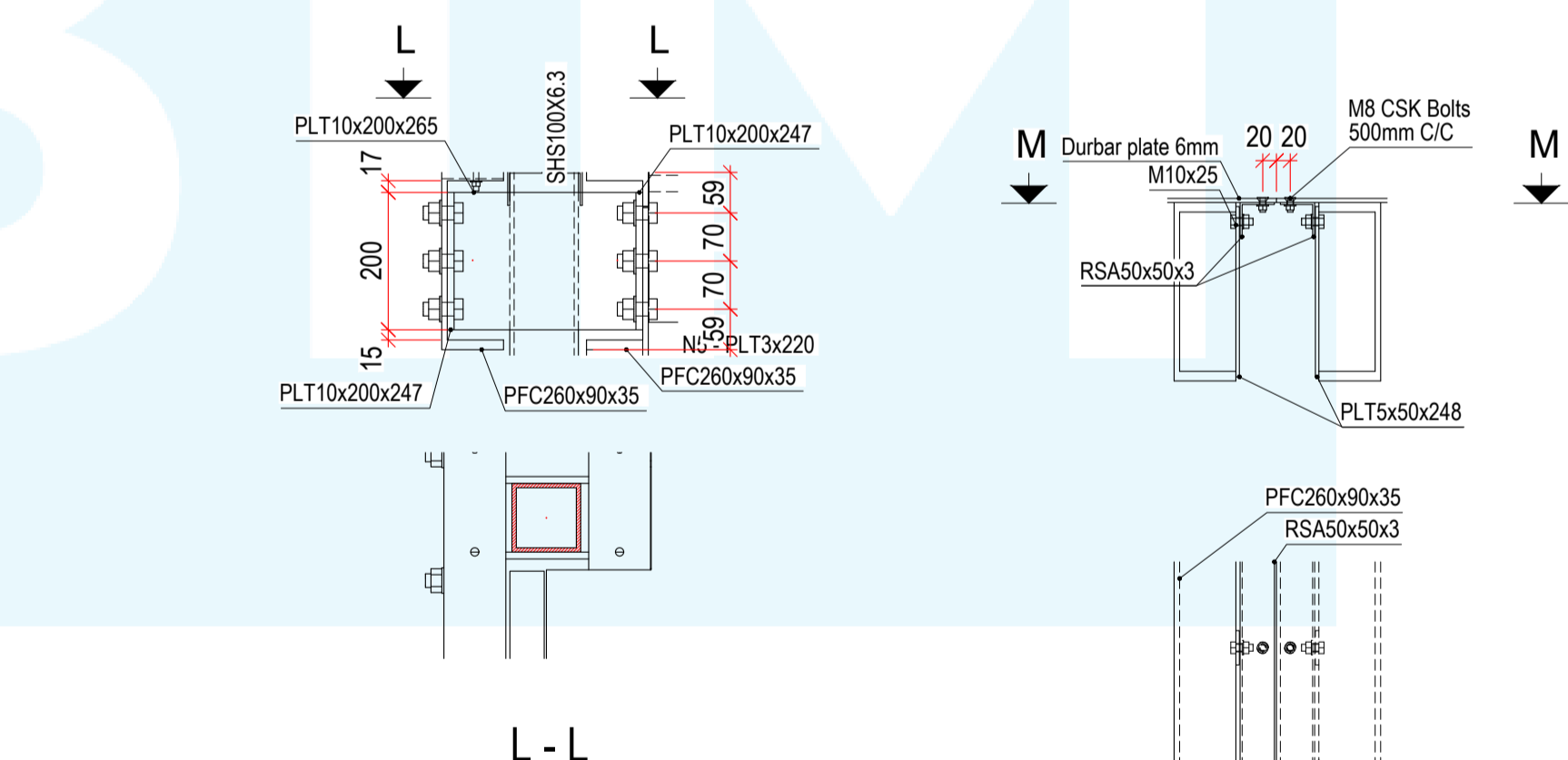
**DETAIL B2**  
Scale: 1:10

**DETAIL C**  
Scale: 1:10

**DETAIL D**  
Scale: 1:10



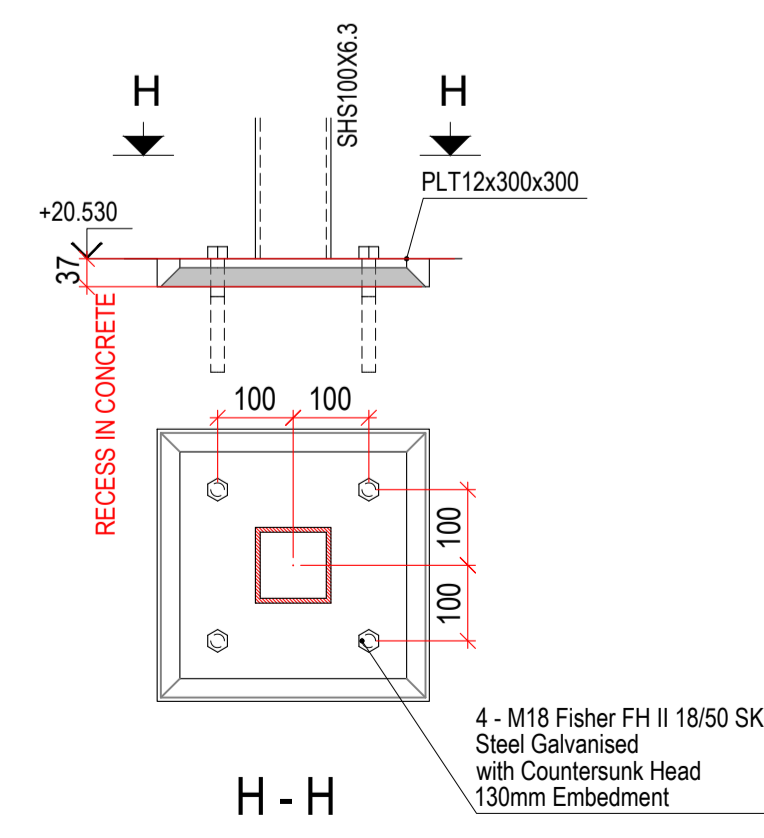
**TYPICAL RAILING CONNECTION**  
Scale: 1:10



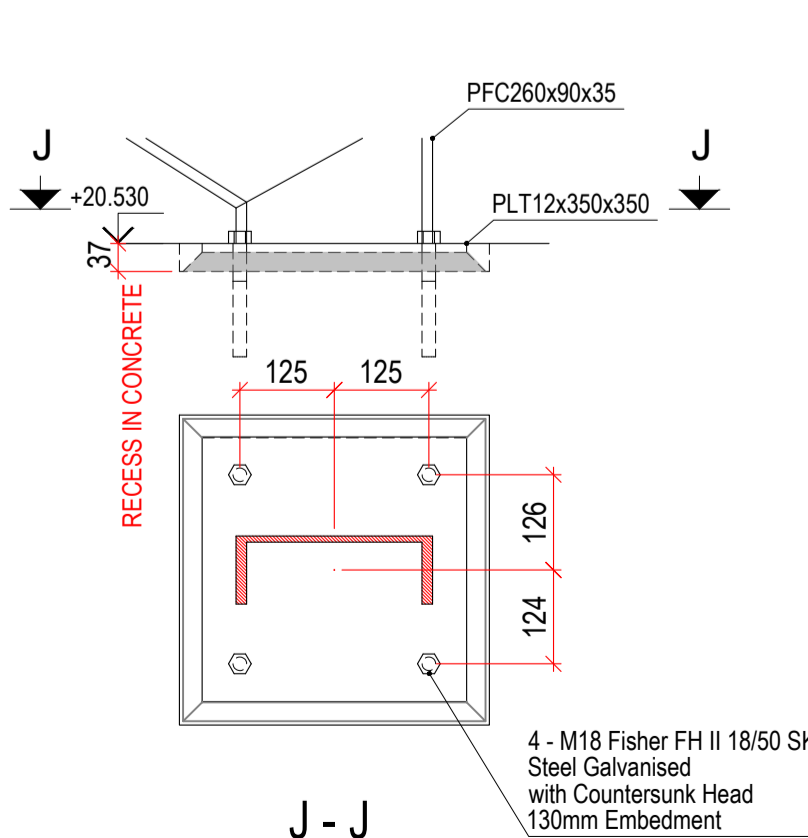
**BEAMS TO COLUMN FIXING**  
Scale: 1:10

**M - M**

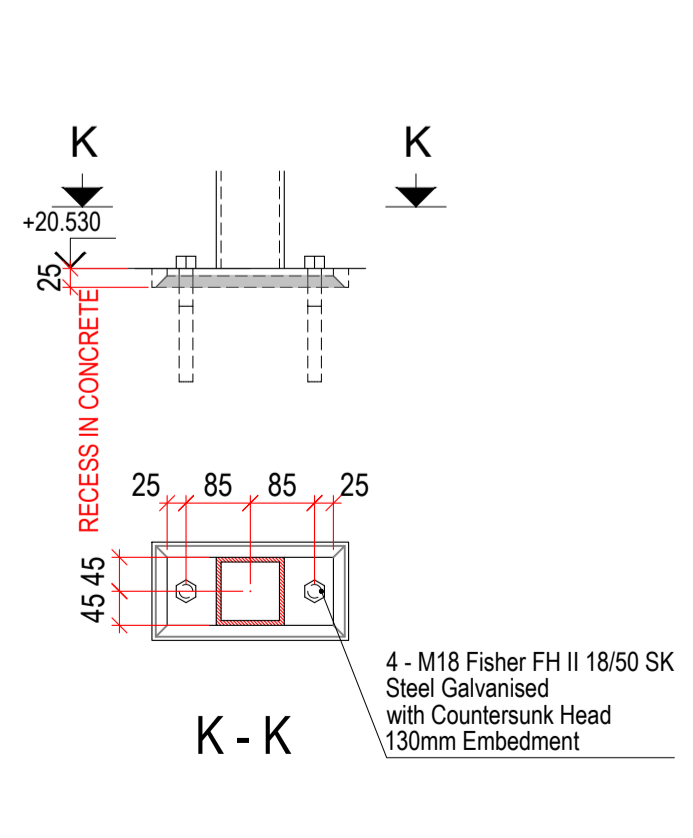
**FLOORING TO STRUCTURAL STEEL**  
Scale: 1:10



**COLUMN BASE PLATE DETAIL**  
Scale: 1:10

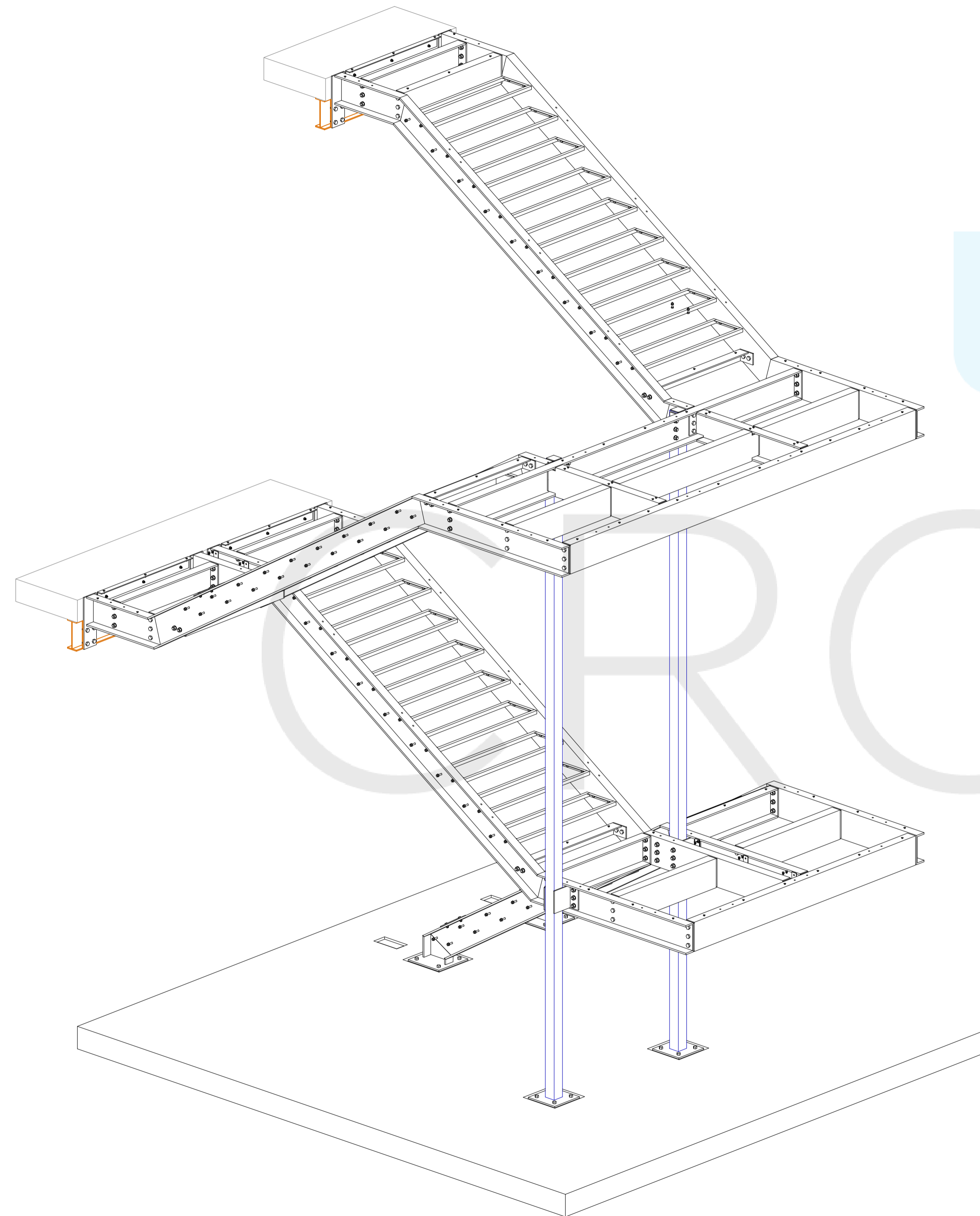


**PFC BASE PLATE DETAIL**  
Scale: 1:10

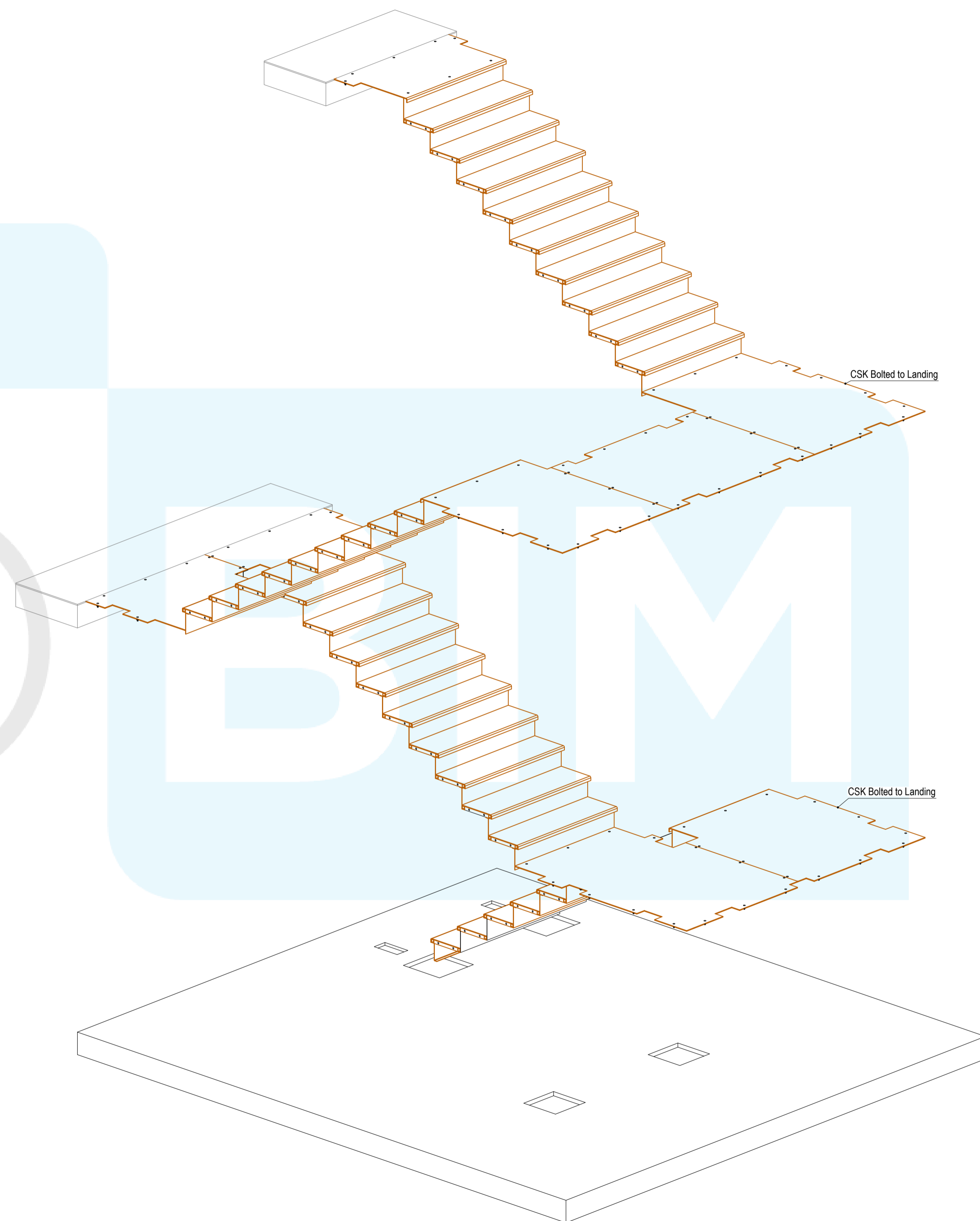


**RAILING BASE PLATE DETAIL**  
Scale: 1:10

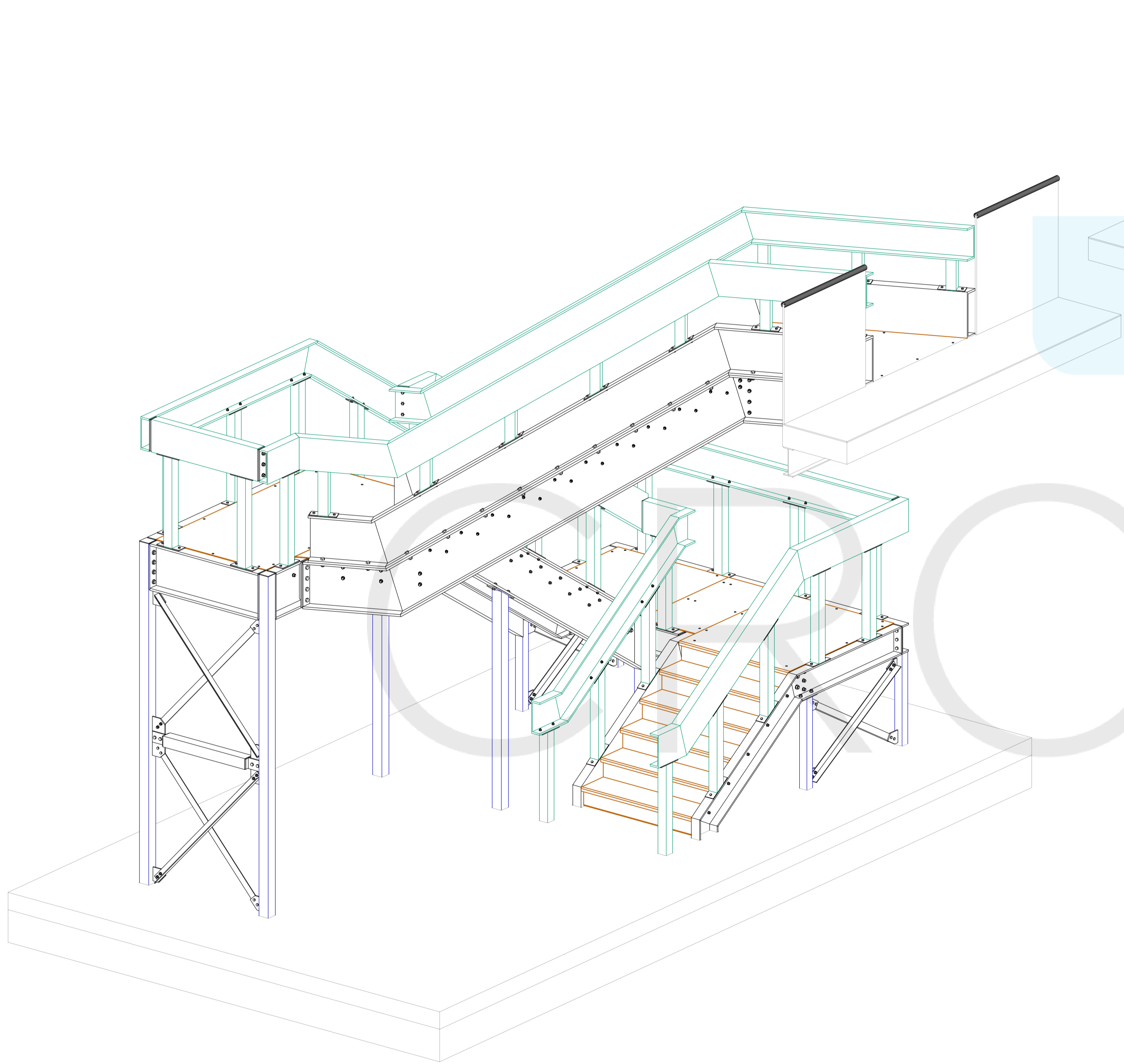




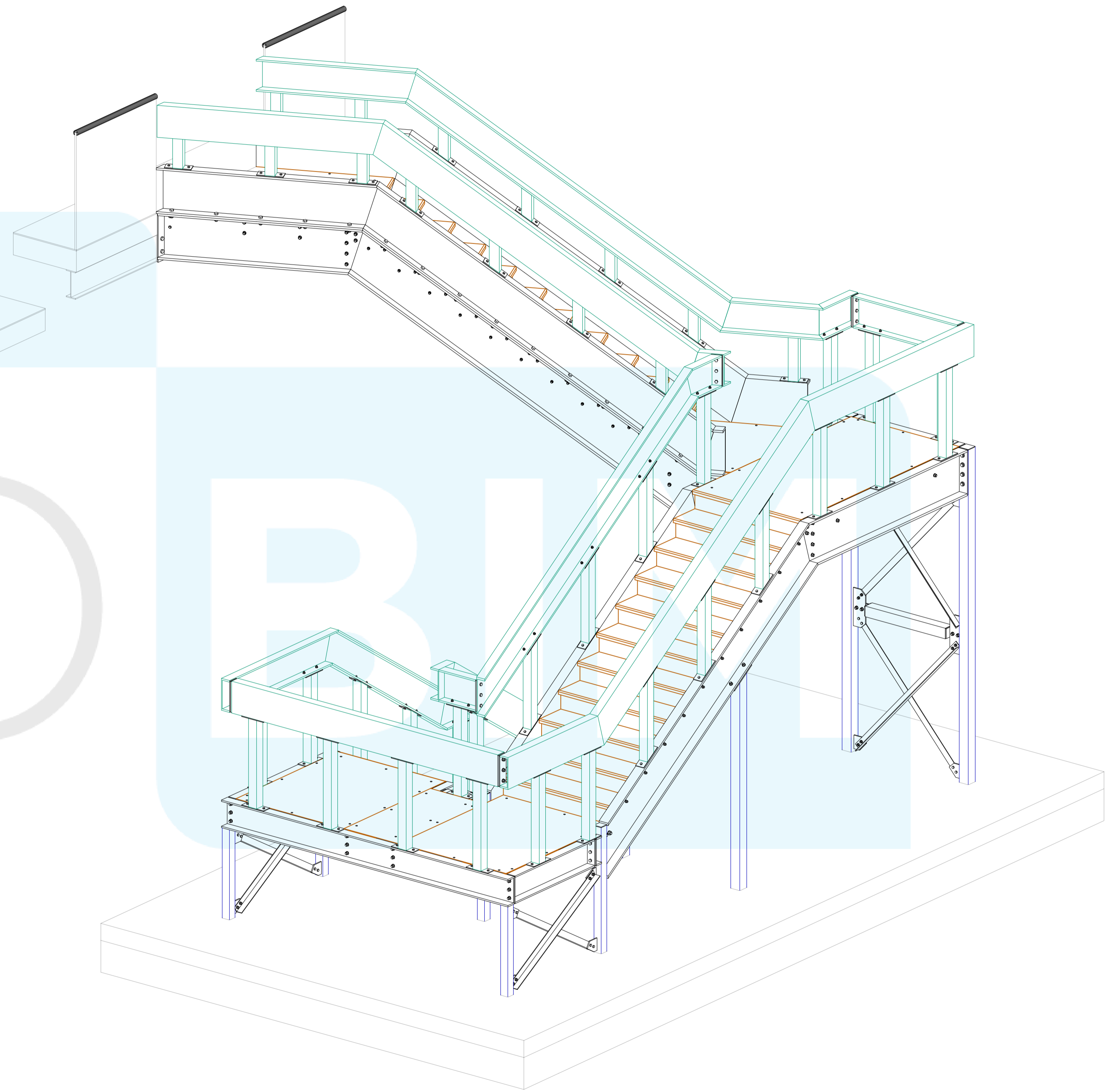
3D VIEW - Structural Steel  
Scale 1:25



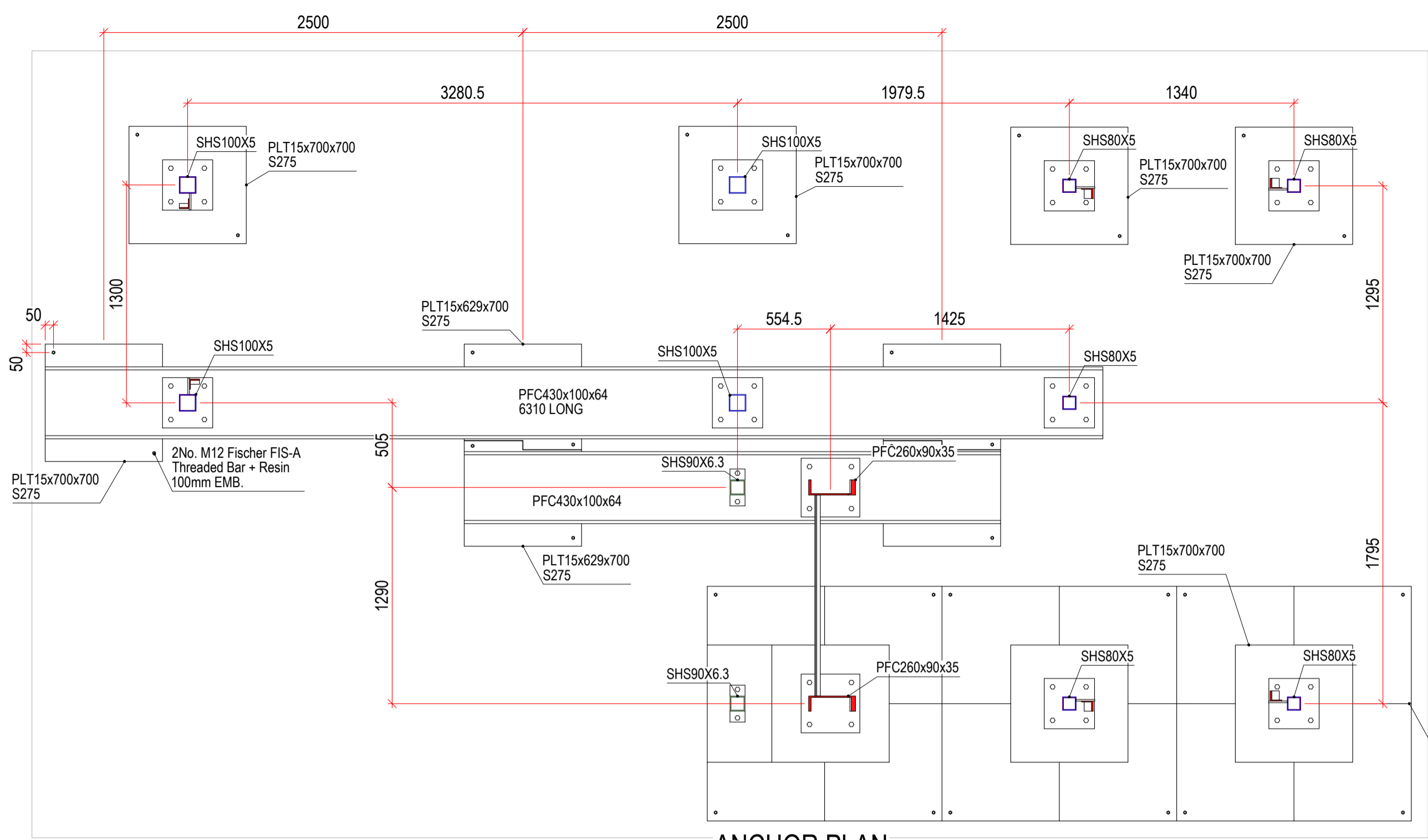
3D VIEW - Treads & Flooring  
Scale 1:25



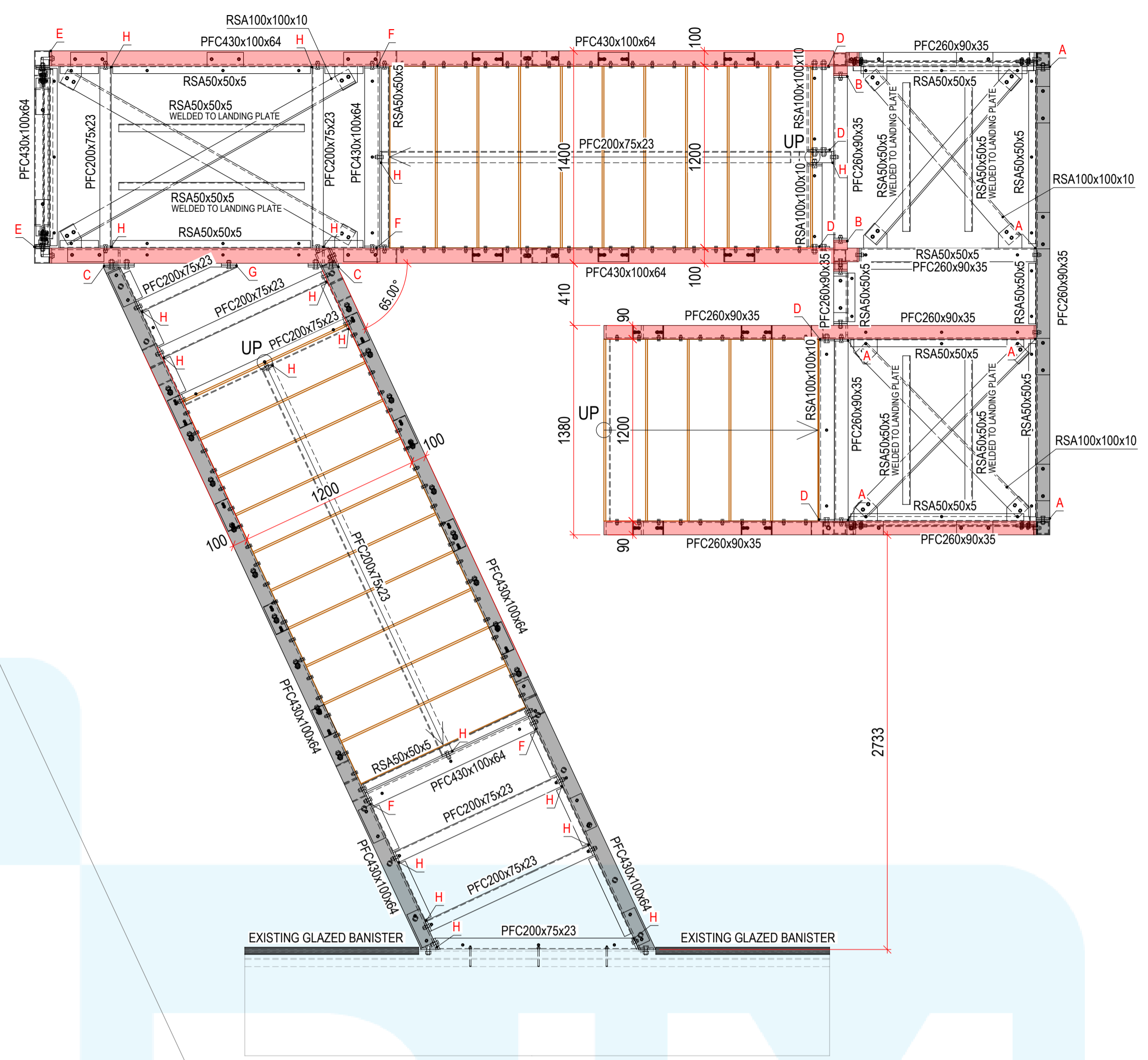
3D VIEW 1  
Scale 1:25



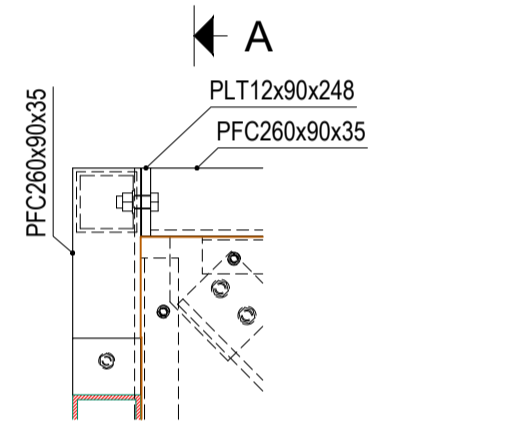
3D VIEW 2  
Scale 1:25



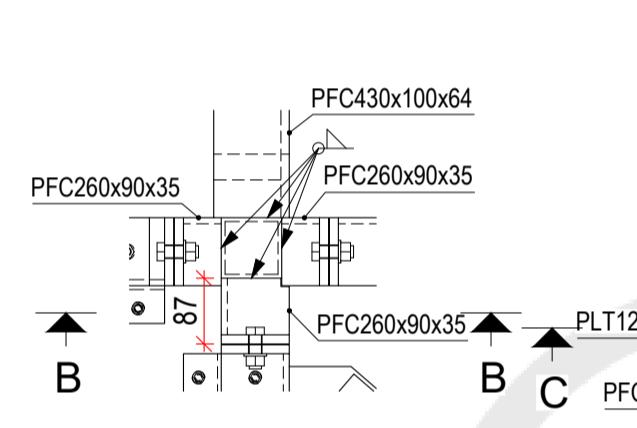
**ANCHOR PLAN**  
Scale 1:25



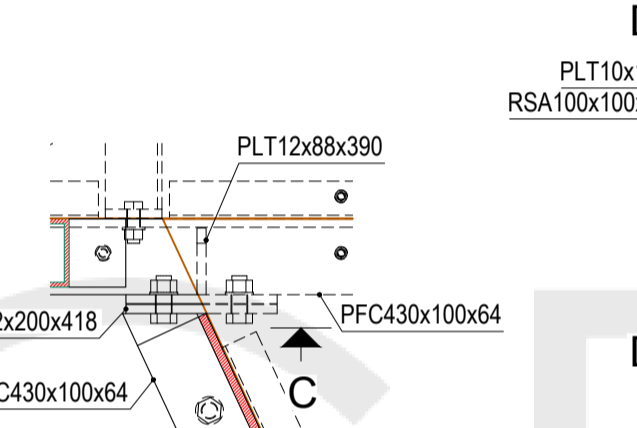
**PLAN VIEW**  
Scale 1:25



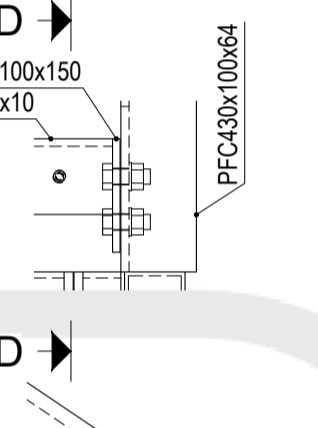
**DETAIL A**  
Scale 1:10



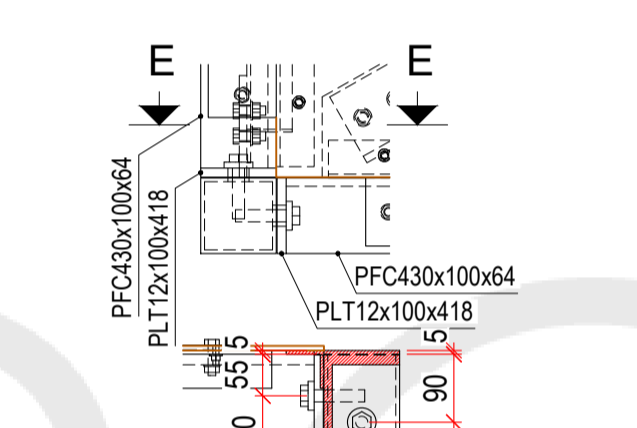
**DETAIL B**  
Scale 1:10



**DETAIL C**  
Scale 1:10



**DETAIL D**  
Scale 1:10



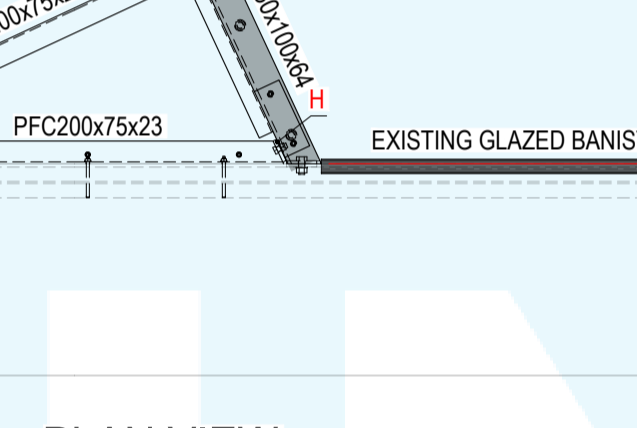
**DETAIL E**  
Scale 1:10



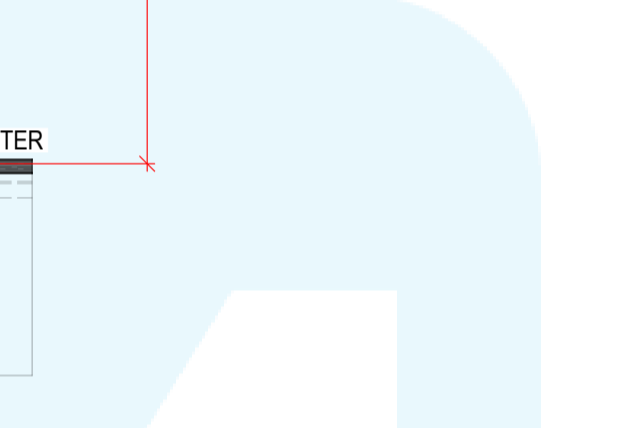
**DETAIL F**  
Scale 1:10



**DETAIL G**  
Scale 1:10



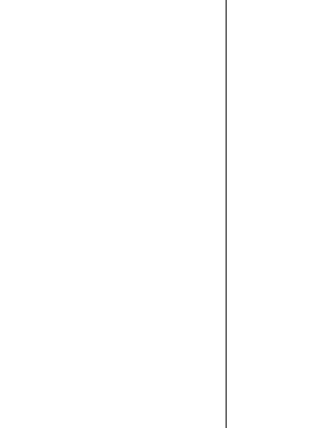
**BRACING DETAIL**  
Scale 1:10



**DETAIL H**  
Scale 1:10



**SHS80X5 BASE PLATE DETAIL**  
Scale 1:10



**SHS100X5 BASE PLATE DETAIL**  
Scale 1:10



**PFC BASE PLATE DETAIL**  
Scale 1:10



**RAILING BASE PLATE DETAIL**  
Scale 1:10



**RAILING CONNECTION 2ND LANDING**  
Scale 1:10



**FLOORING TO STRUCTURAL STEEL**  
Scale 1:10



**TYPICAL RAILING CONNECTION**  
Scale 1:10



**RAILING CONNECTION 2ND LANDING**  
Scale 1:10



**FLOORING TO STRUCTURAL STEEL**  
Scale 1:10



**RAILING CONNECTION 2ND LANDING**  
Scale 1:10



**FLOORING TO STRUCTURAL STEEL**  
Scale 1:10



**RAILING CONNECTION 2ND LANDING**  
Scale 1:10



**FLOORING TO STRUCTURAL STEEL**  
Scale 1:10



**RAILING CONNECTION 2ND LANDING**  
Scale 1:10



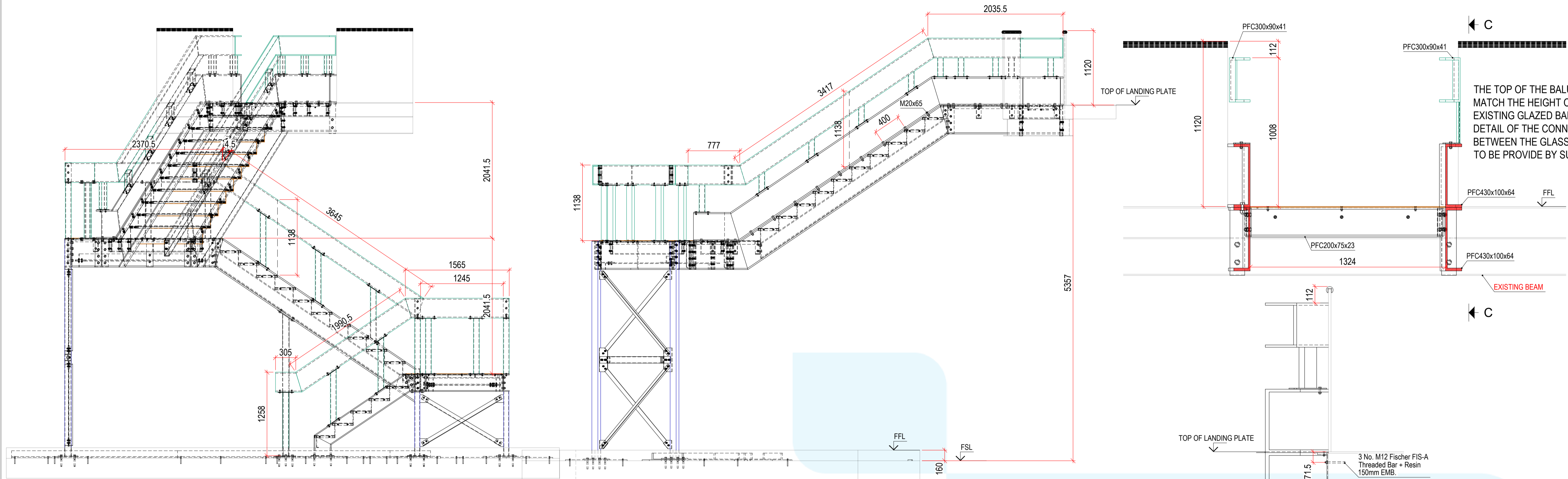
**FLOORING TO STRUCTURAL STEEL**  
Scale 1:10



**RAILING CONNECTION 2ND LANDING**  
Scale 1:10

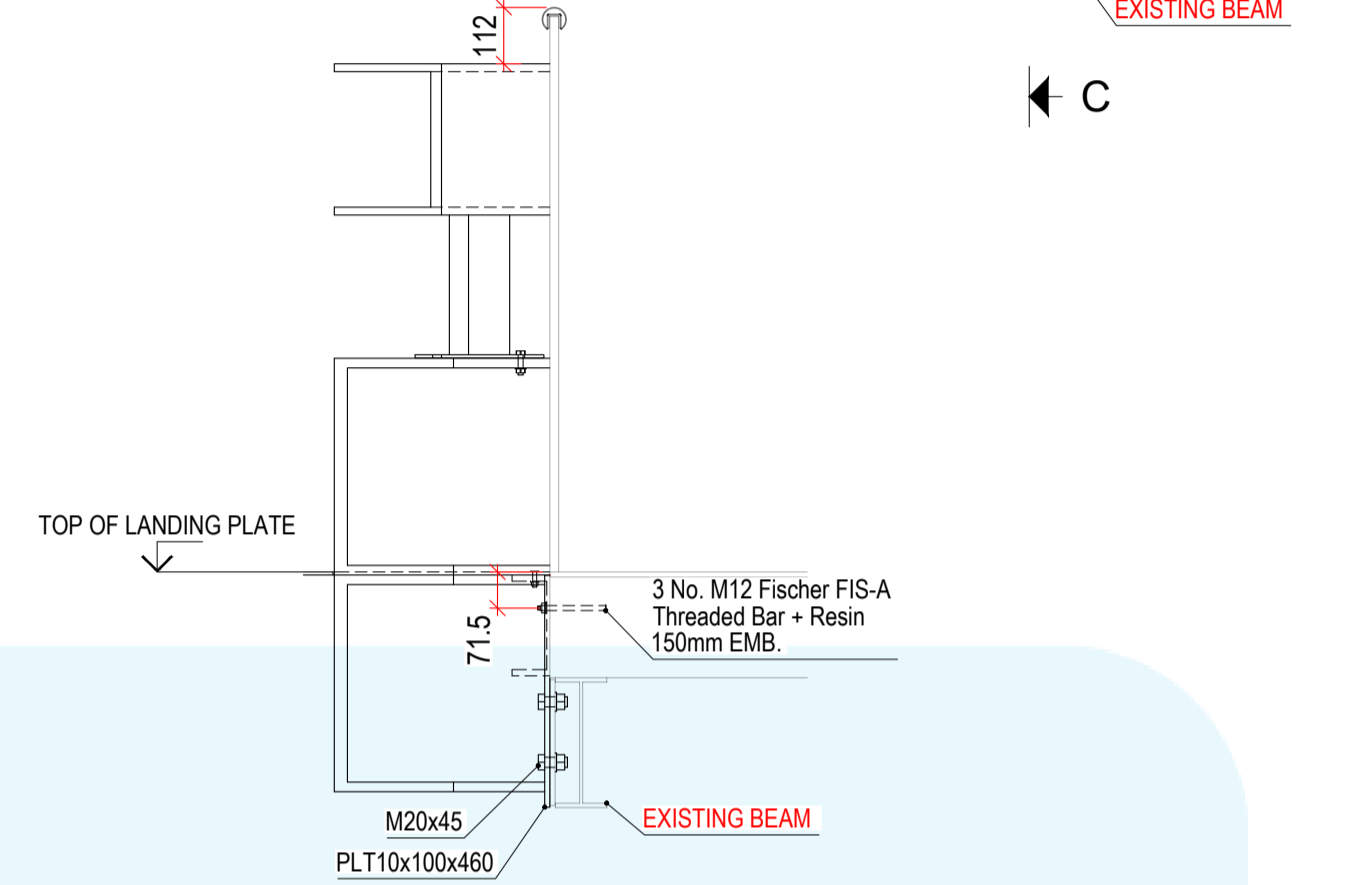
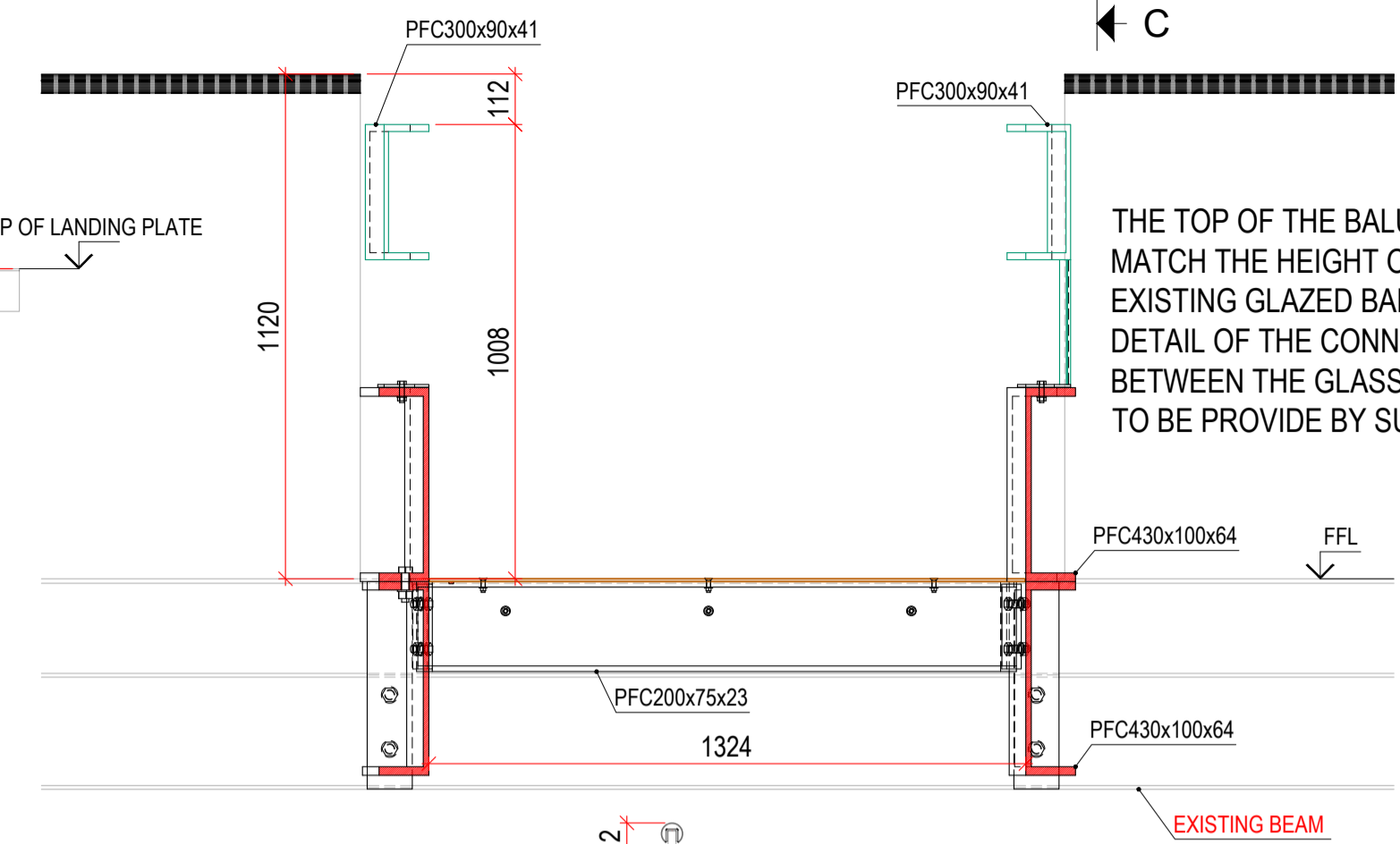


**FLOORING TO STRUCTURAL STEEL**  
Scale 1:10



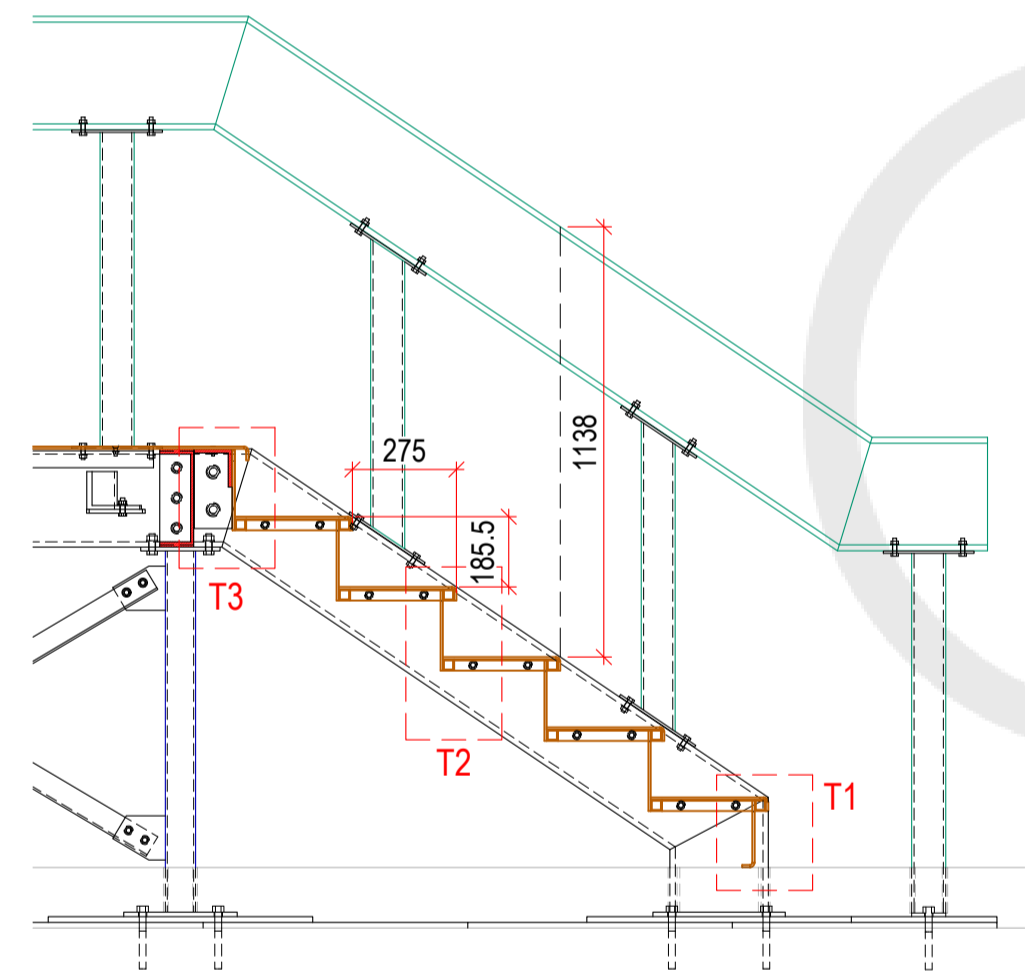
**ELEVATION A**  
Scale 1:33 1/3

**SECTION 1**  
Scale 1:33 1/3

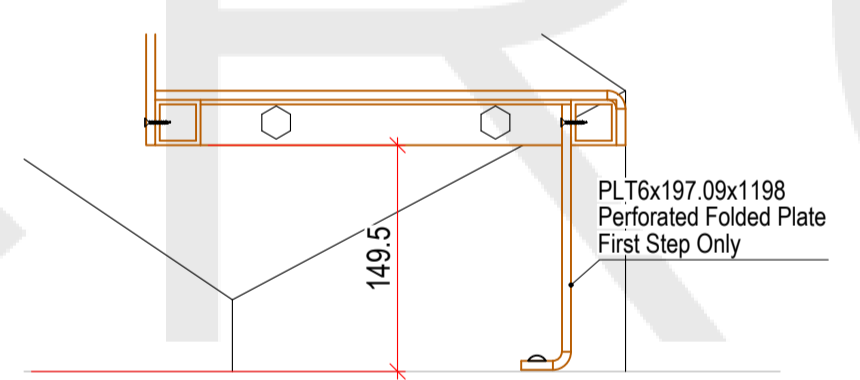


**C - C**  
**CONNECTION TO EXISTING**  
Scale 1:15

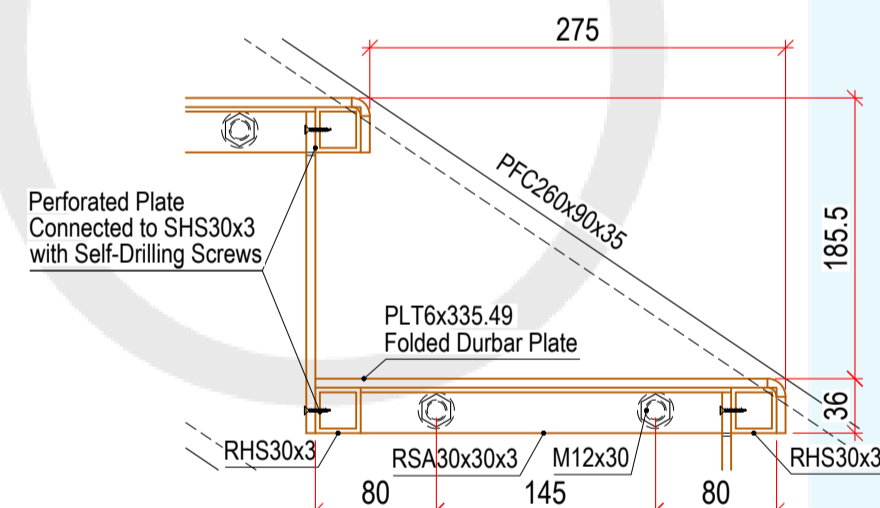
THE TOP OF THE BALUSTRADE TO MATCH THE HEIGHT OF THE EXISTING GLAZED BANISTER. DETAIL OF THE CONNECTION BETWEEN THE GLASS AND METAL TO BE PROVIDED BY SUPPLIER



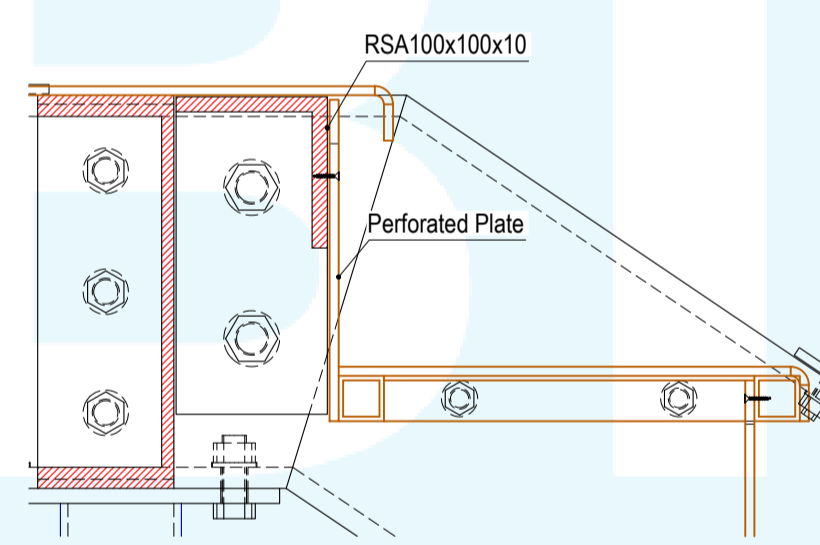
**RAILINGS DETAILS FROM LOBBY TO 2ND LANDING**  
Scale 1:20



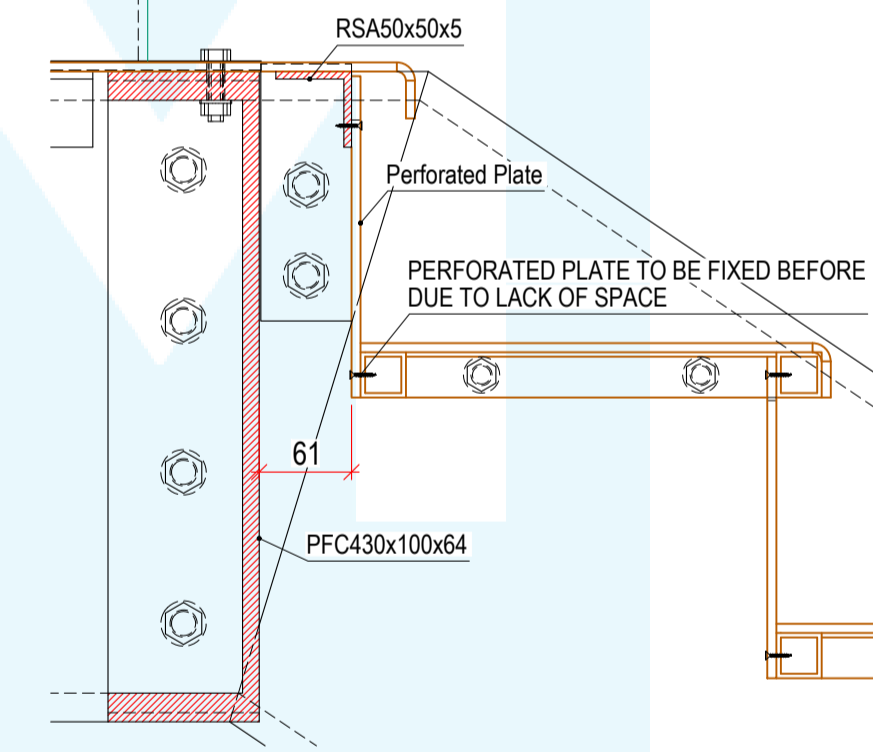
**TREAD DETAIL BOTTOM OF STRINGER T1**  
Scale 1:5



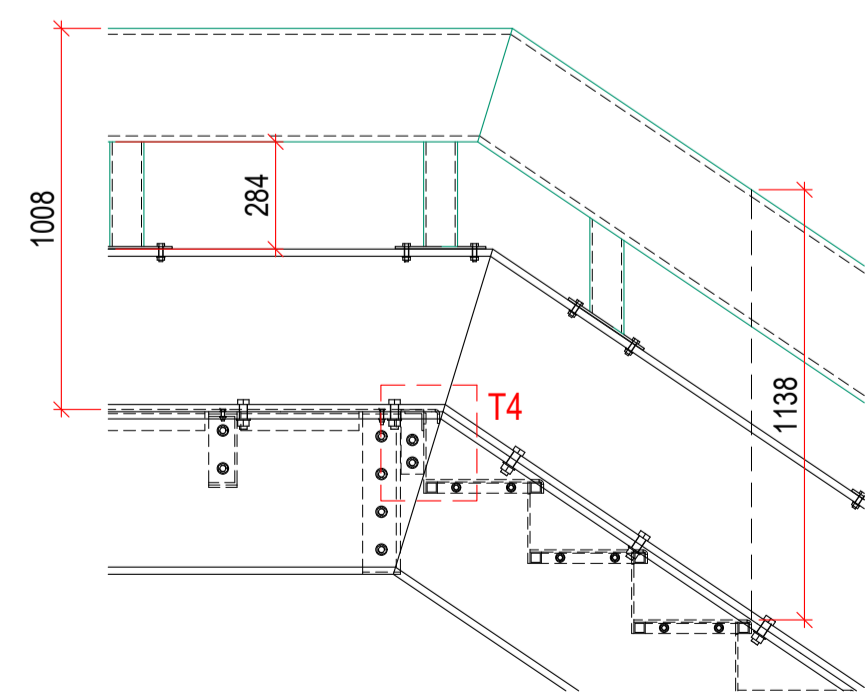
**TYPICAL TREAD DETAIL T2**  
Scale 1:5



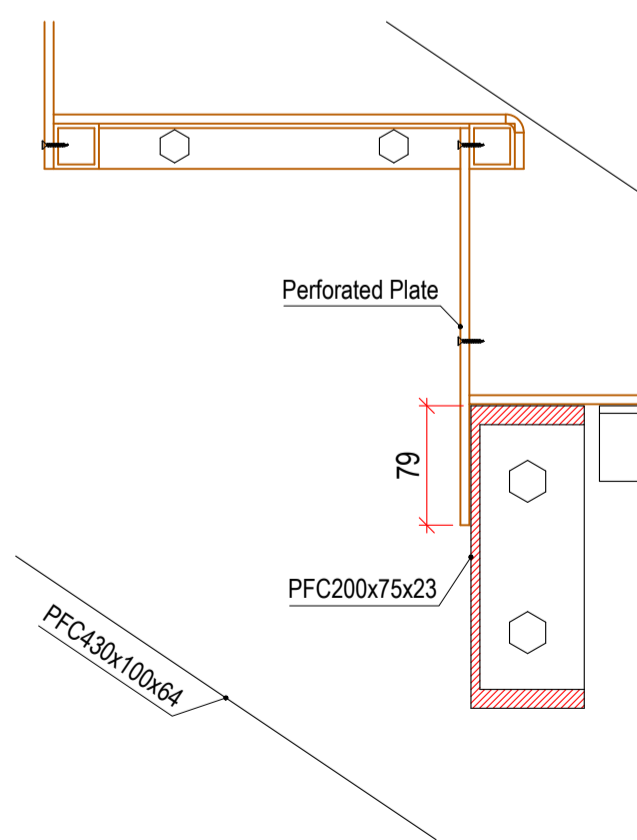
**TREAD DETAIL TOP OF STRINGER T3**  
Scale 1:5



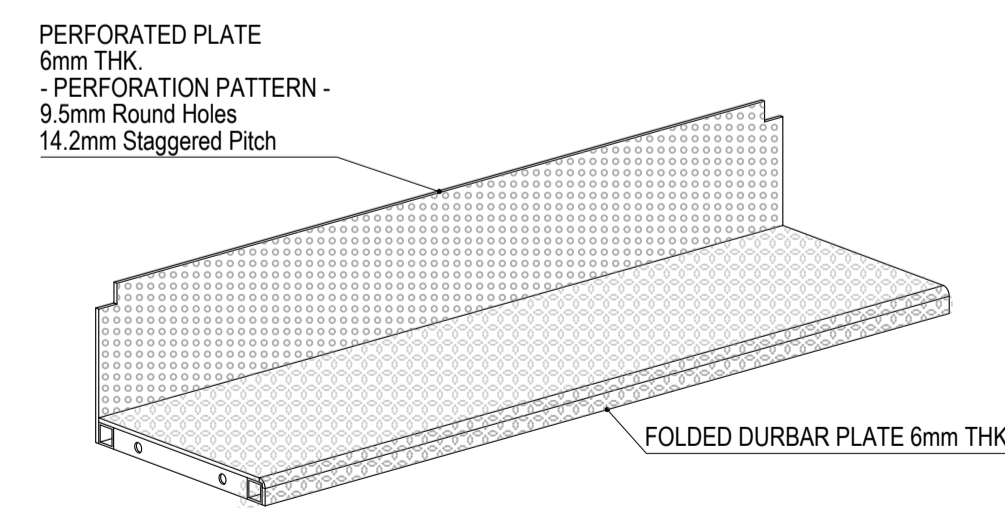
**TREAD DETAIL TOP OF STRINGER T4**  
Scale 1:5



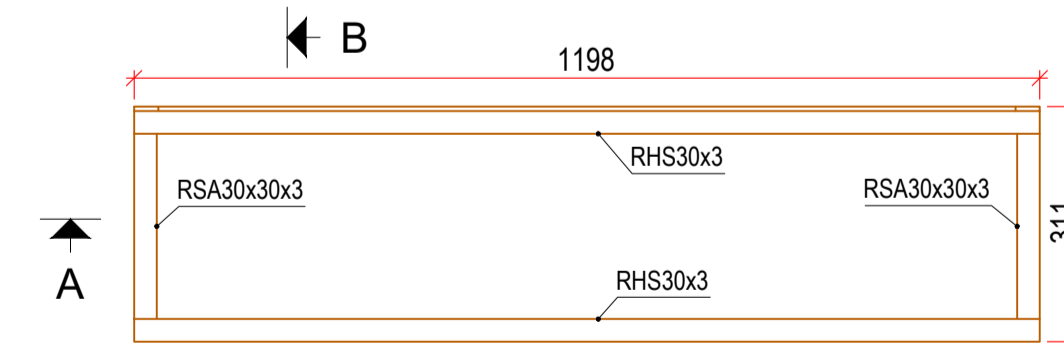
**RAILINGS DETAILS FROM 2ND LANDING TO UPPER FLOOR**  
Scale 1:20



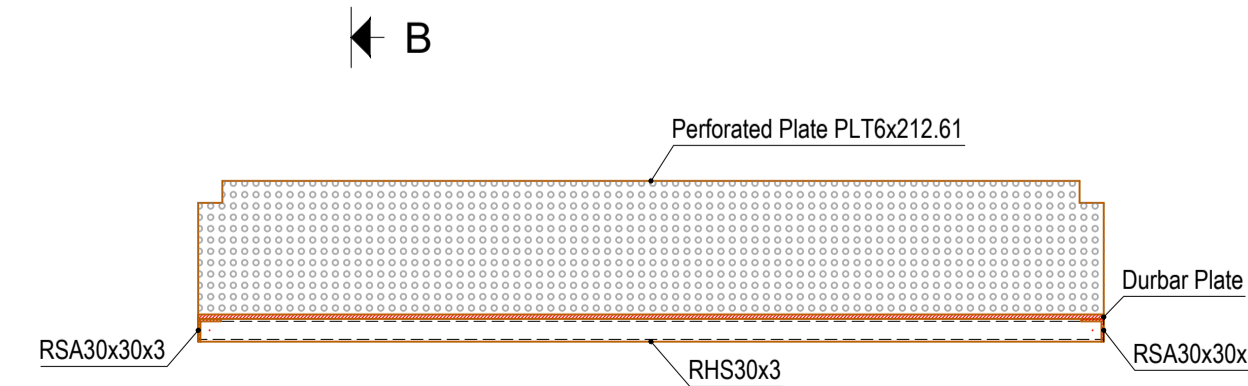
**TREAD DETAIL BOTTOM OF 3RD FLIGHT T5**  
Scale 1:5



**TREAD 3D VIEW**  
Scale:1:10



**A - A**



**TREAD DETAIL**  
Scale 1:10