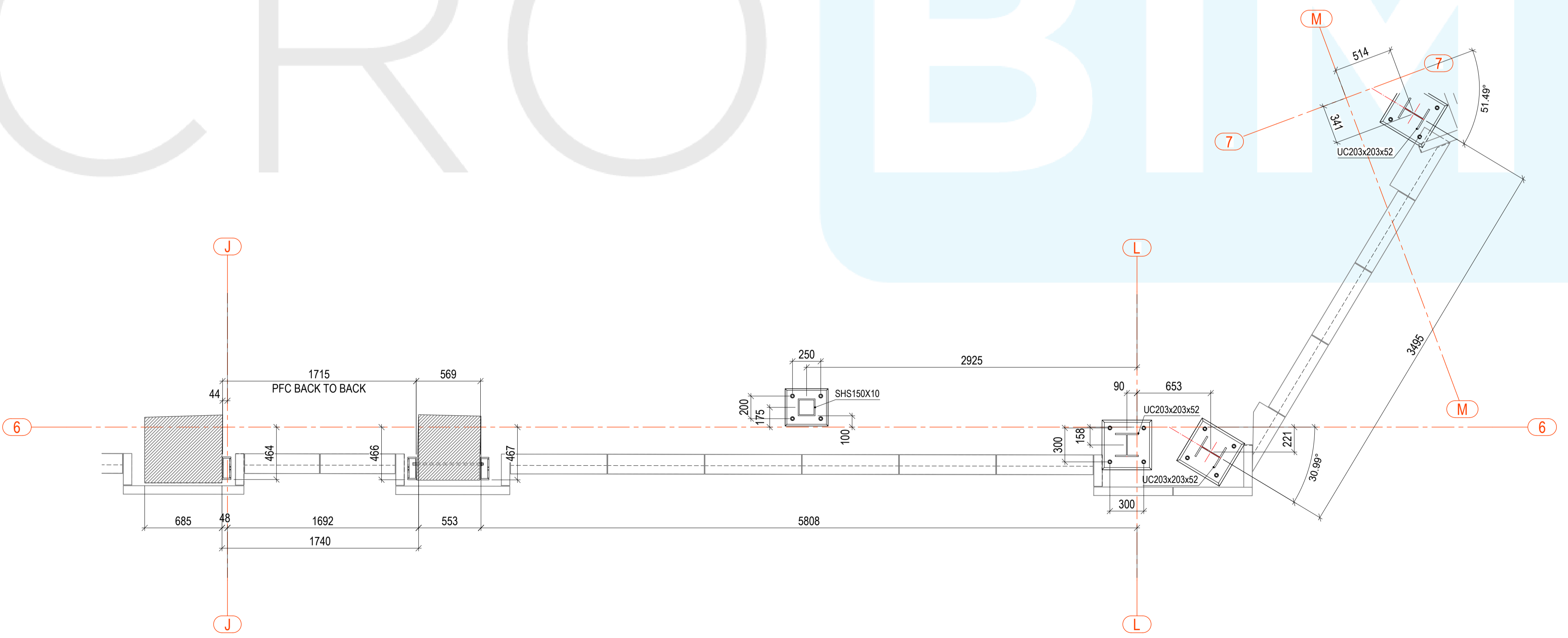
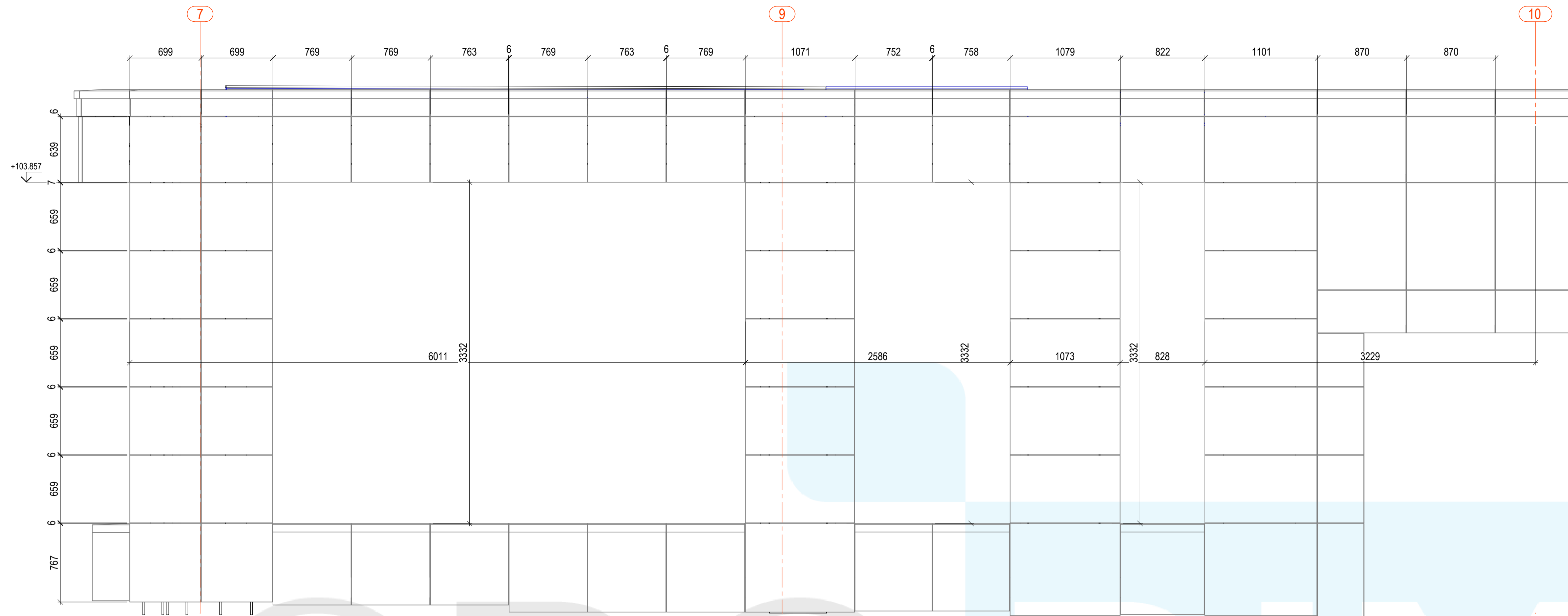


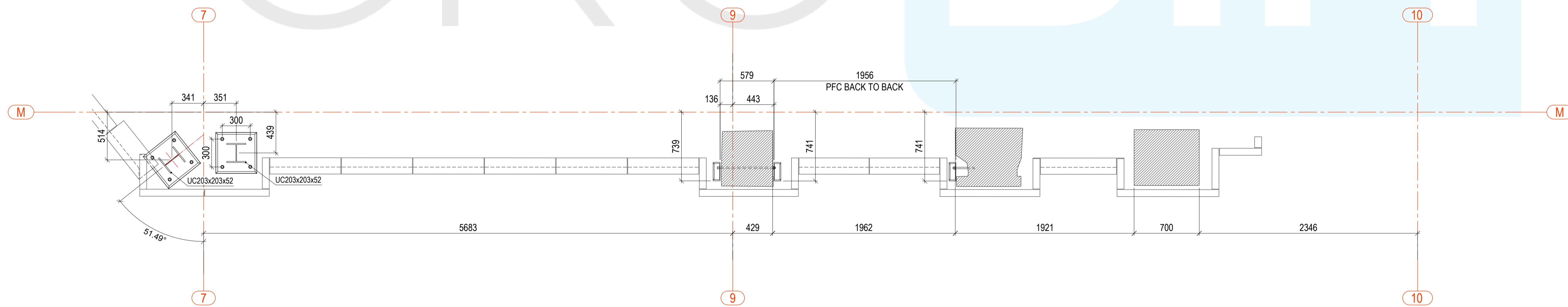
FRONT ELEVATION 3 GL 6/J-L
Scale: 1:25



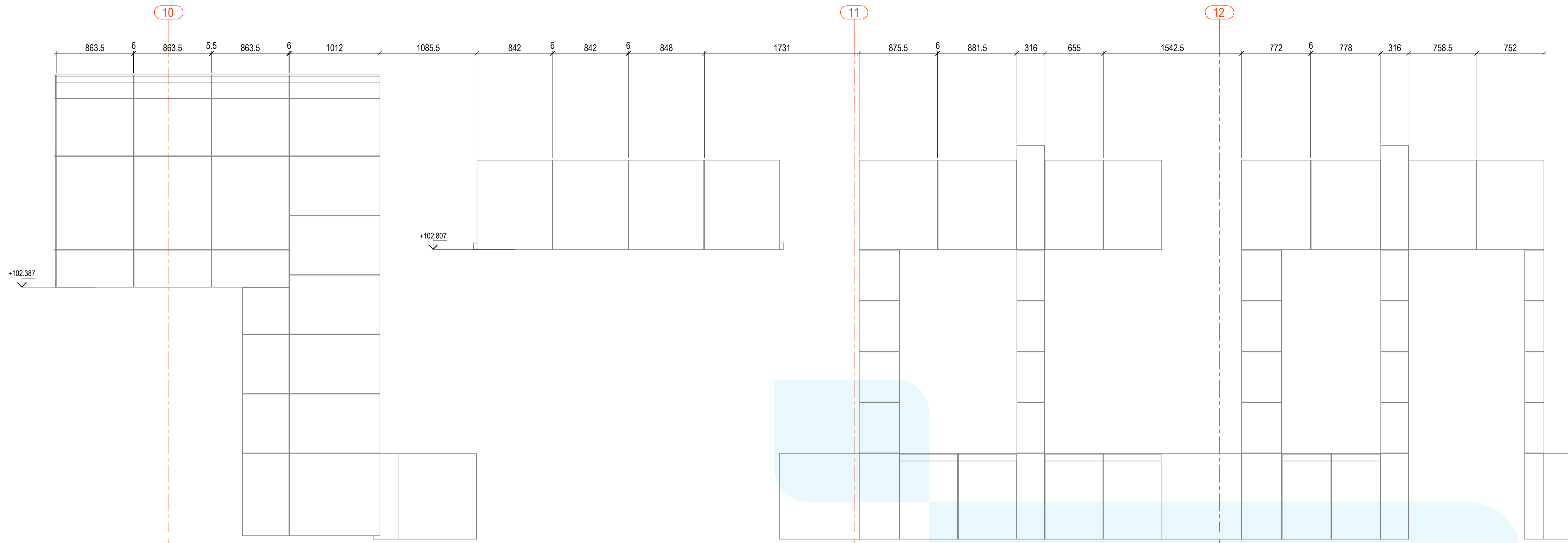
PLAN VIEW 3 GL 6/ J-L
Scale: 1:25



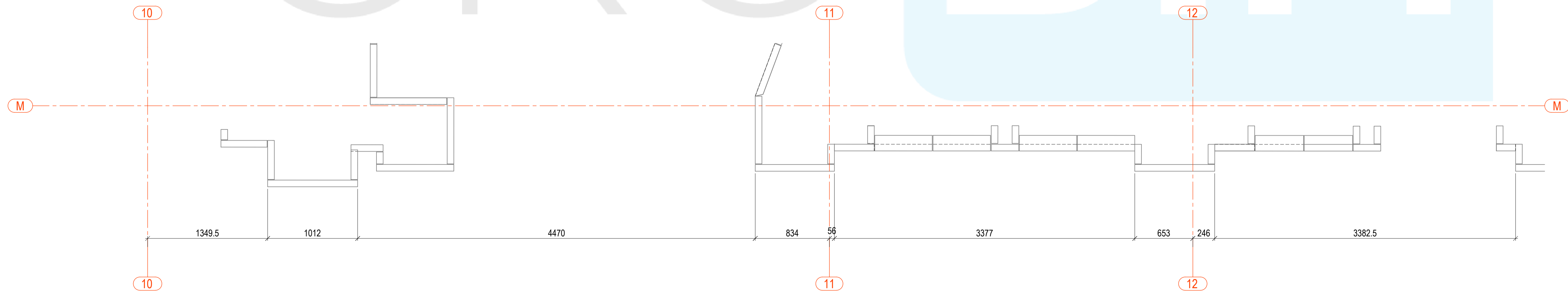
FRONT ELEVATION 3 GL M/7-9
Scale: 1:25



PLAN VIEW 4 GL M/7-9
Scale: 1:25

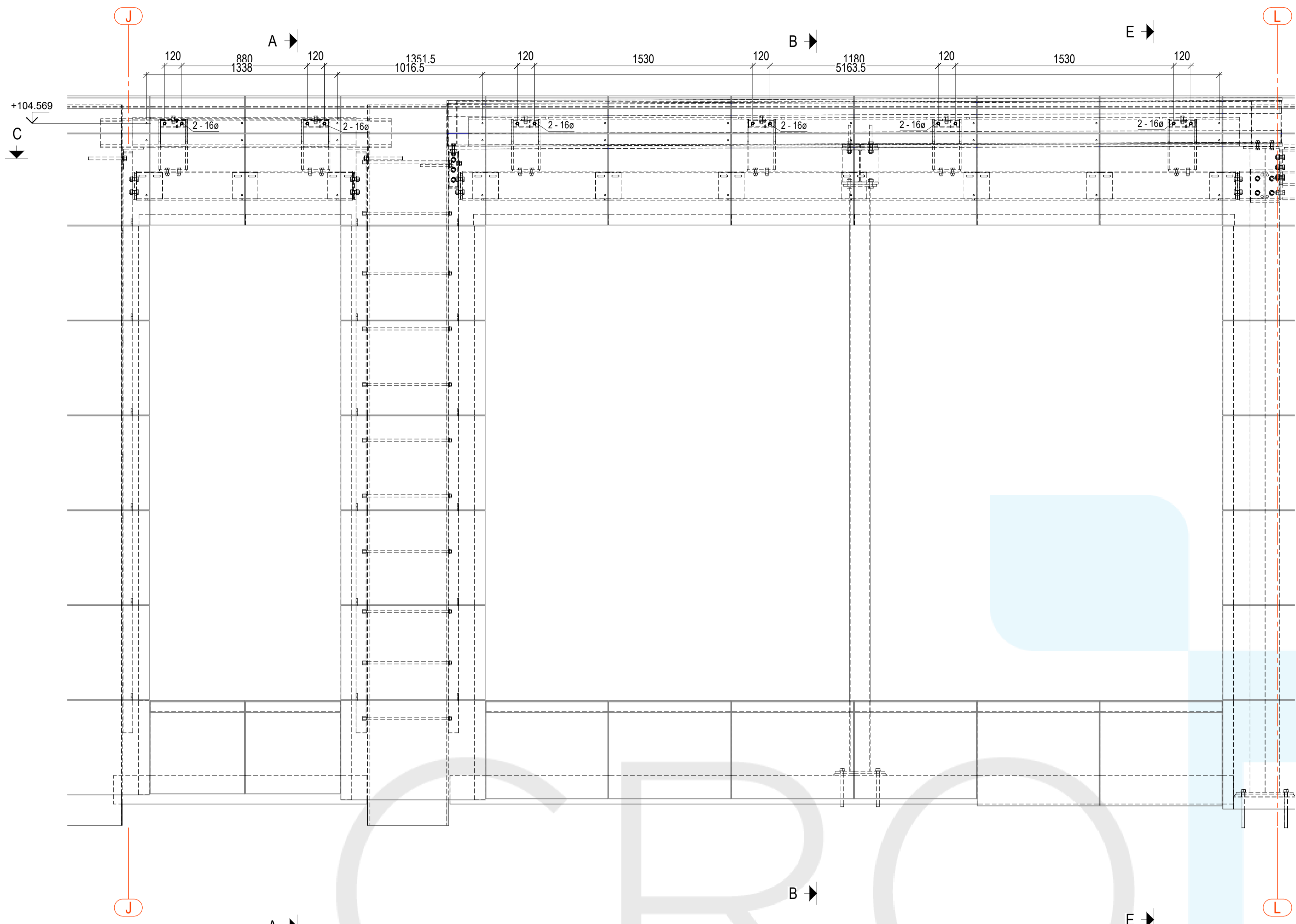


FRONT ELEVATION 3 GL M/9-11
Scale: 1:25

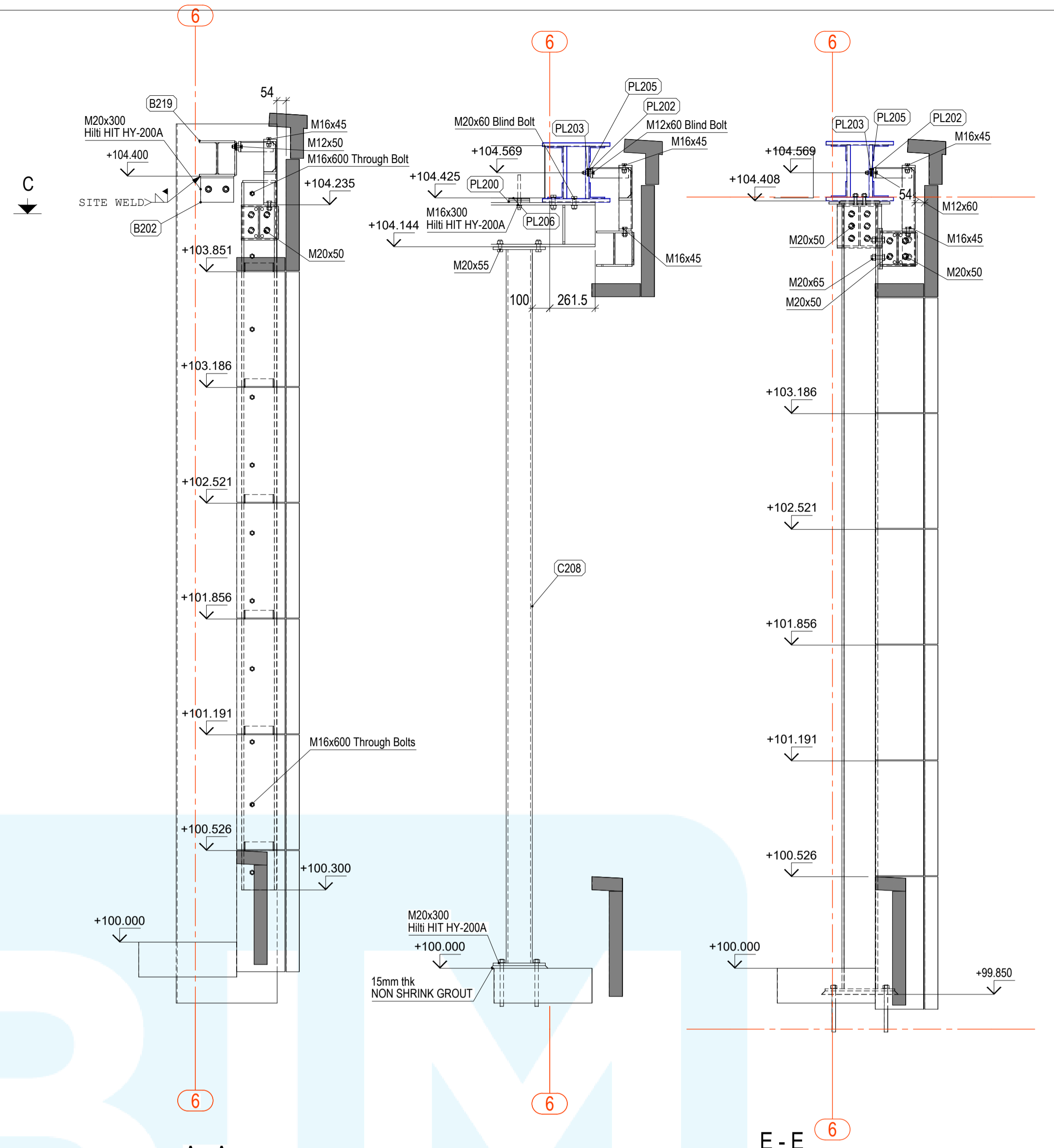


PLAN VIEW 5 GL M/9-11
Scale: 1:25

CRO
BIM



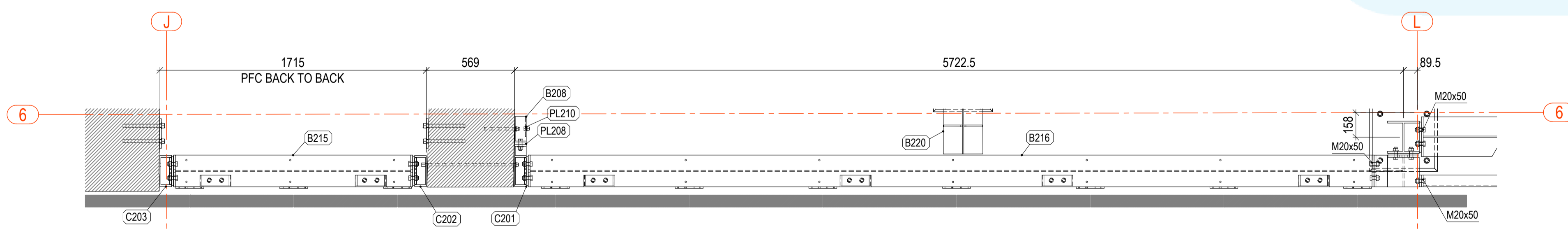
OPENING 6 & 7 - STEEL BETWEEN GL J - L
Scale: 1:20



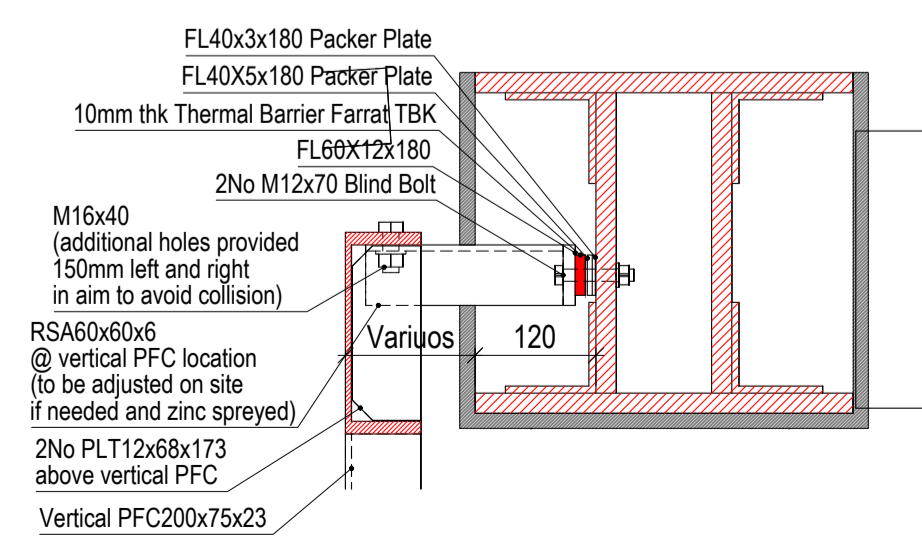
A - A

B - B

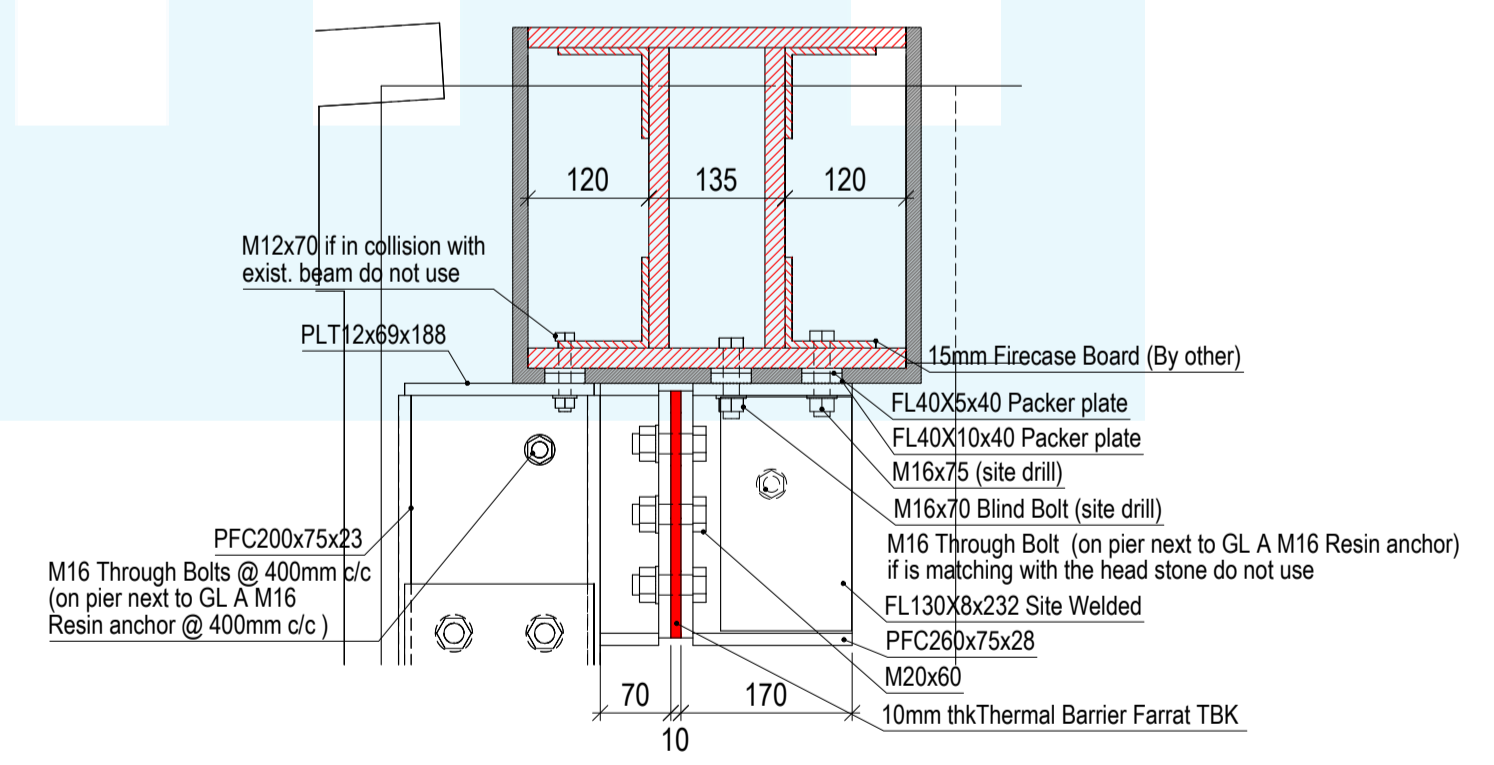
E - E



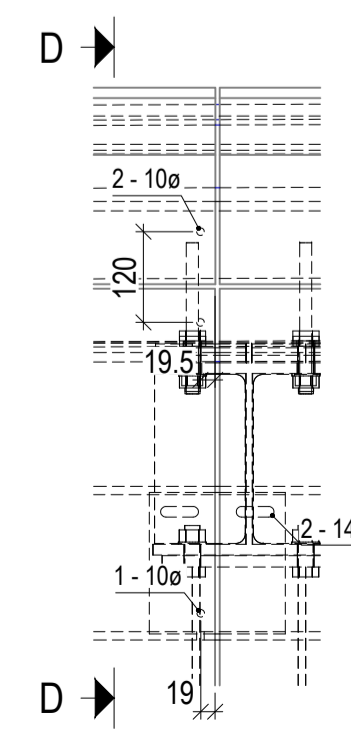
C - C



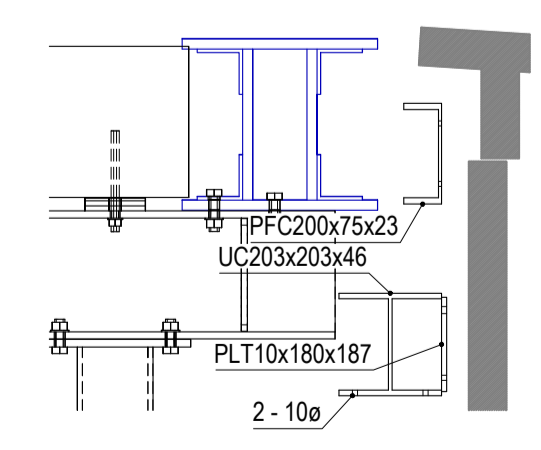
PFC LATERAL SUPPORT FIXING DETAIL
Scale: 1:7.5



PFC BRACKET TYP DETAIL
Scale: 1:7.5

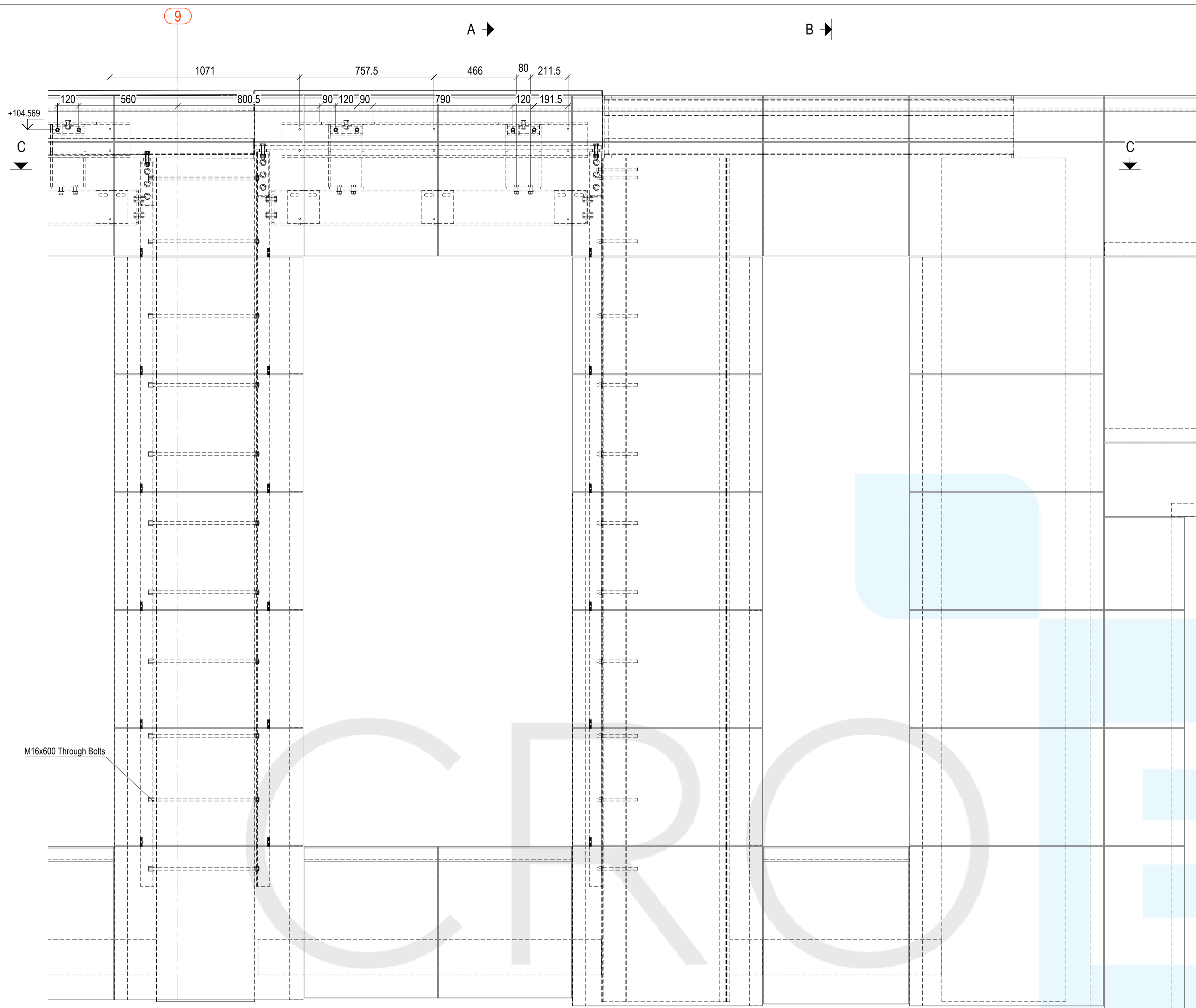


D - D

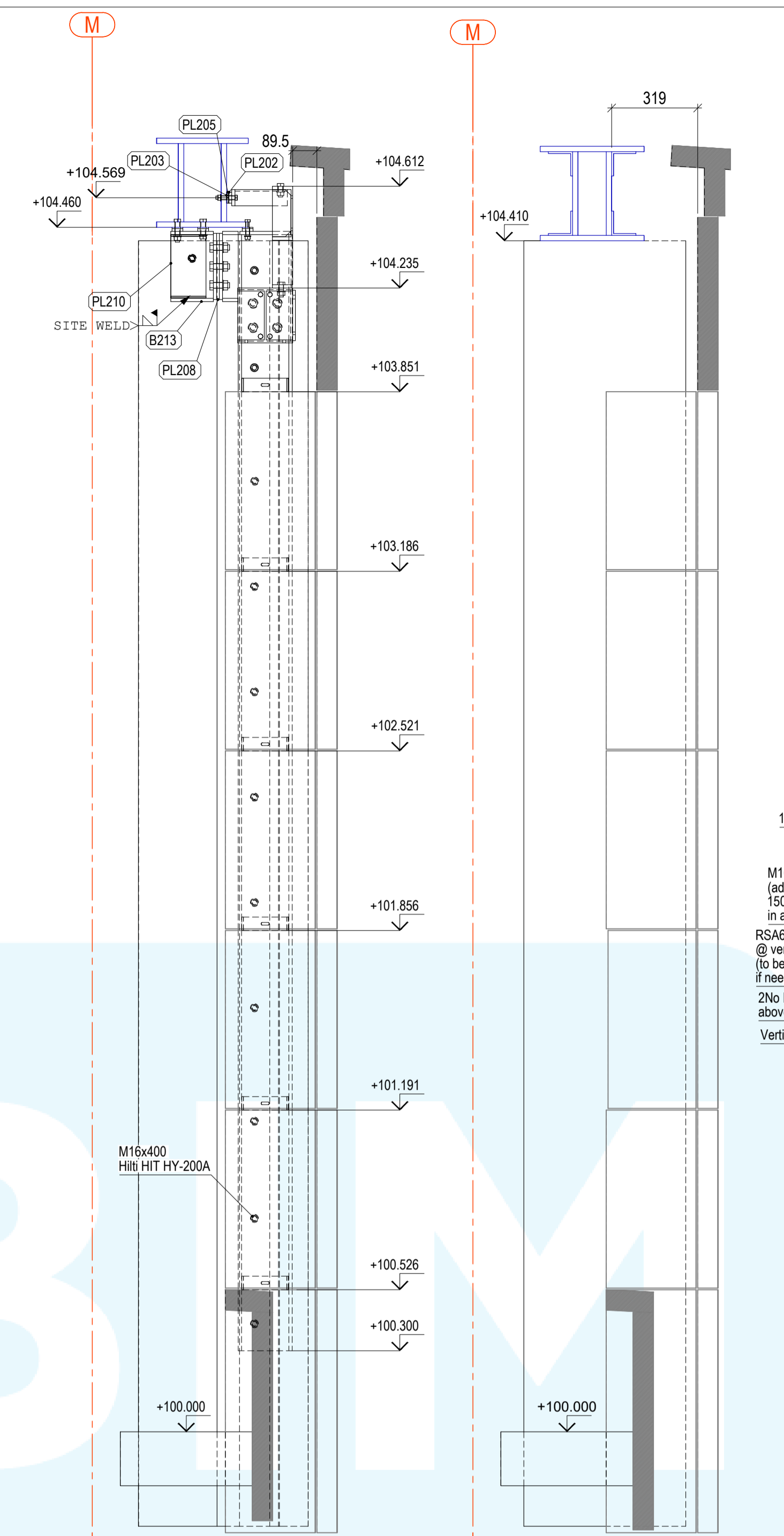


D - D

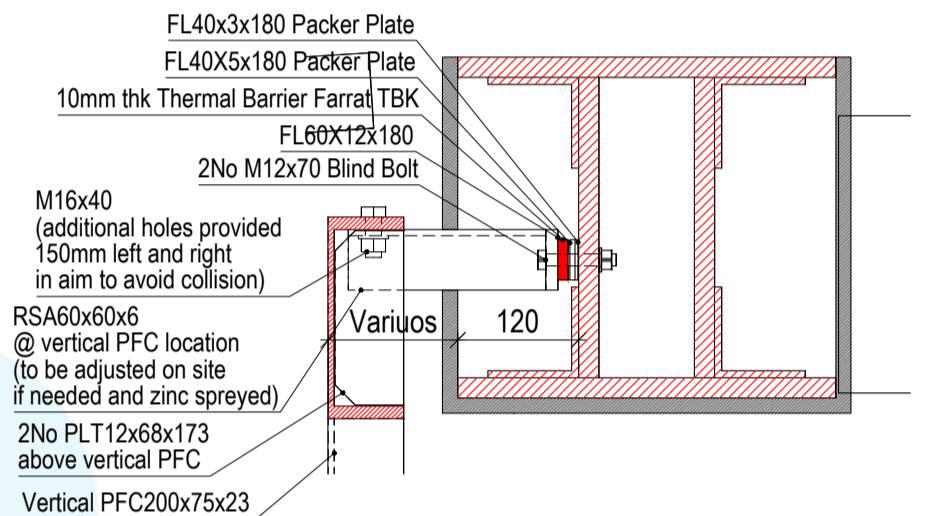
TYPICAL HOLES DETAIL
Scale: 1:10



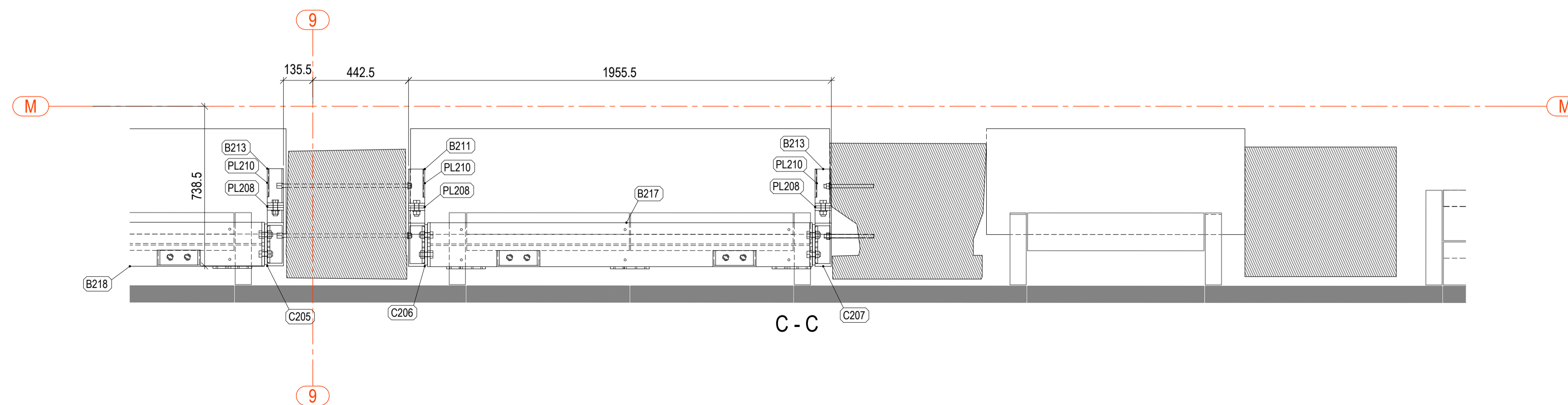
OPENING 10&11 - STEEL BETWEEN GL 9-10
Scale: 1:15



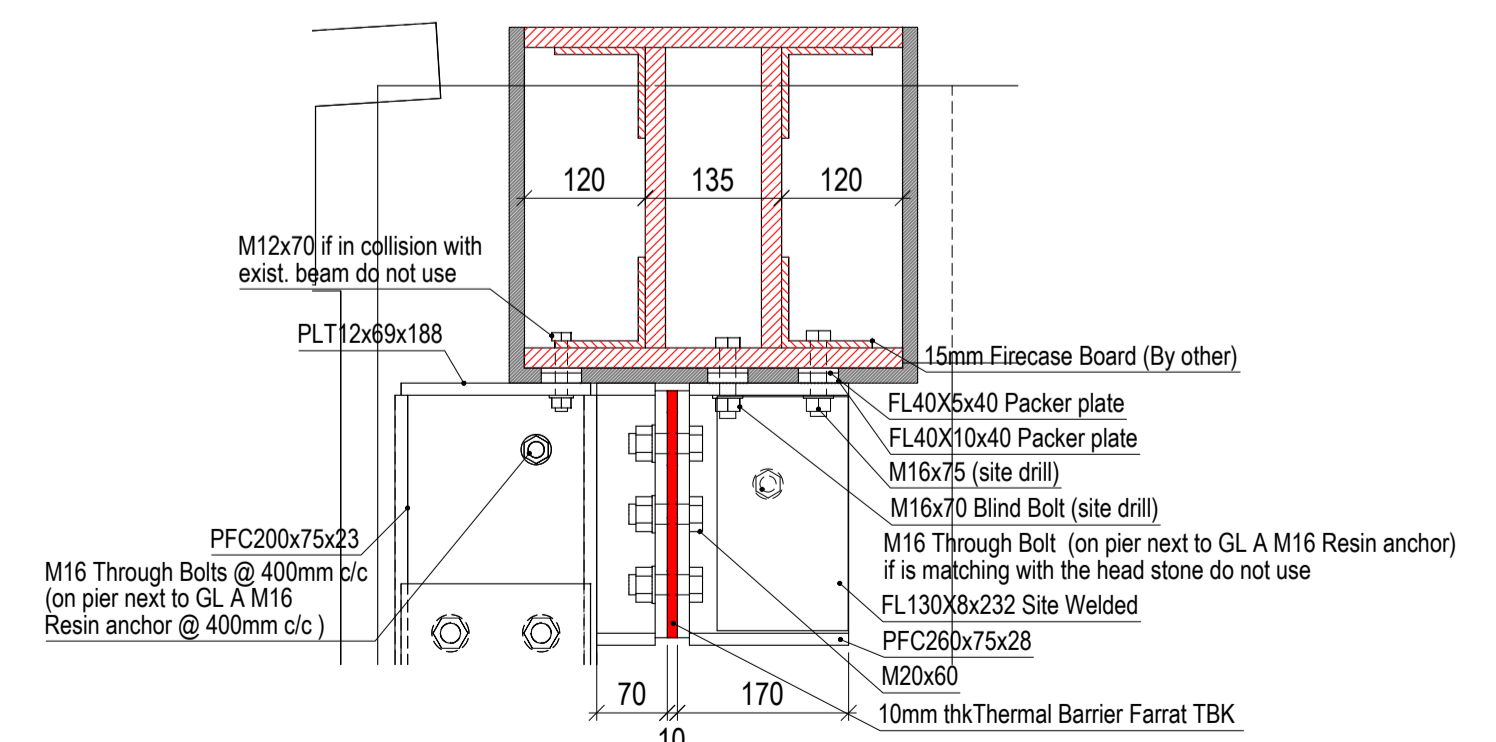
A - A B - B
Scale: 1:7.5



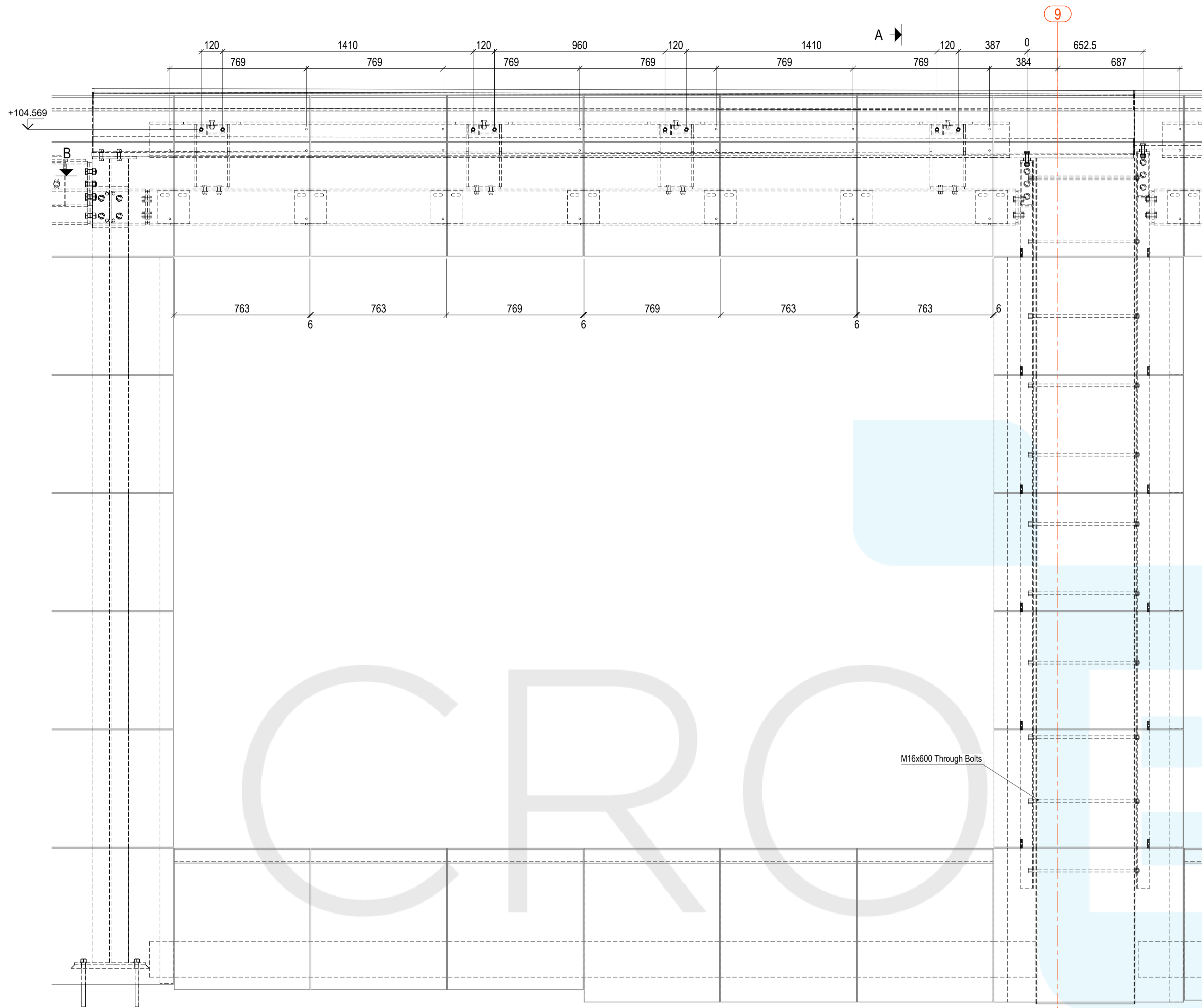
PFC LATERAL SUPPORT FIXING DETAIL
Scale: 1:7.5



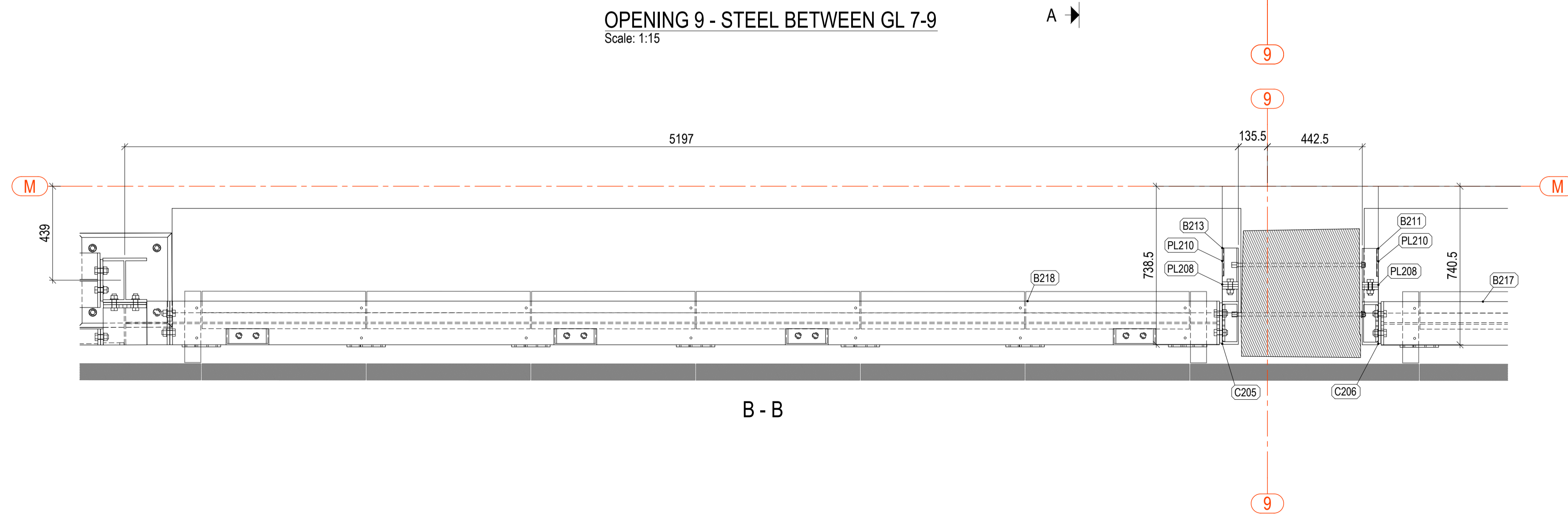
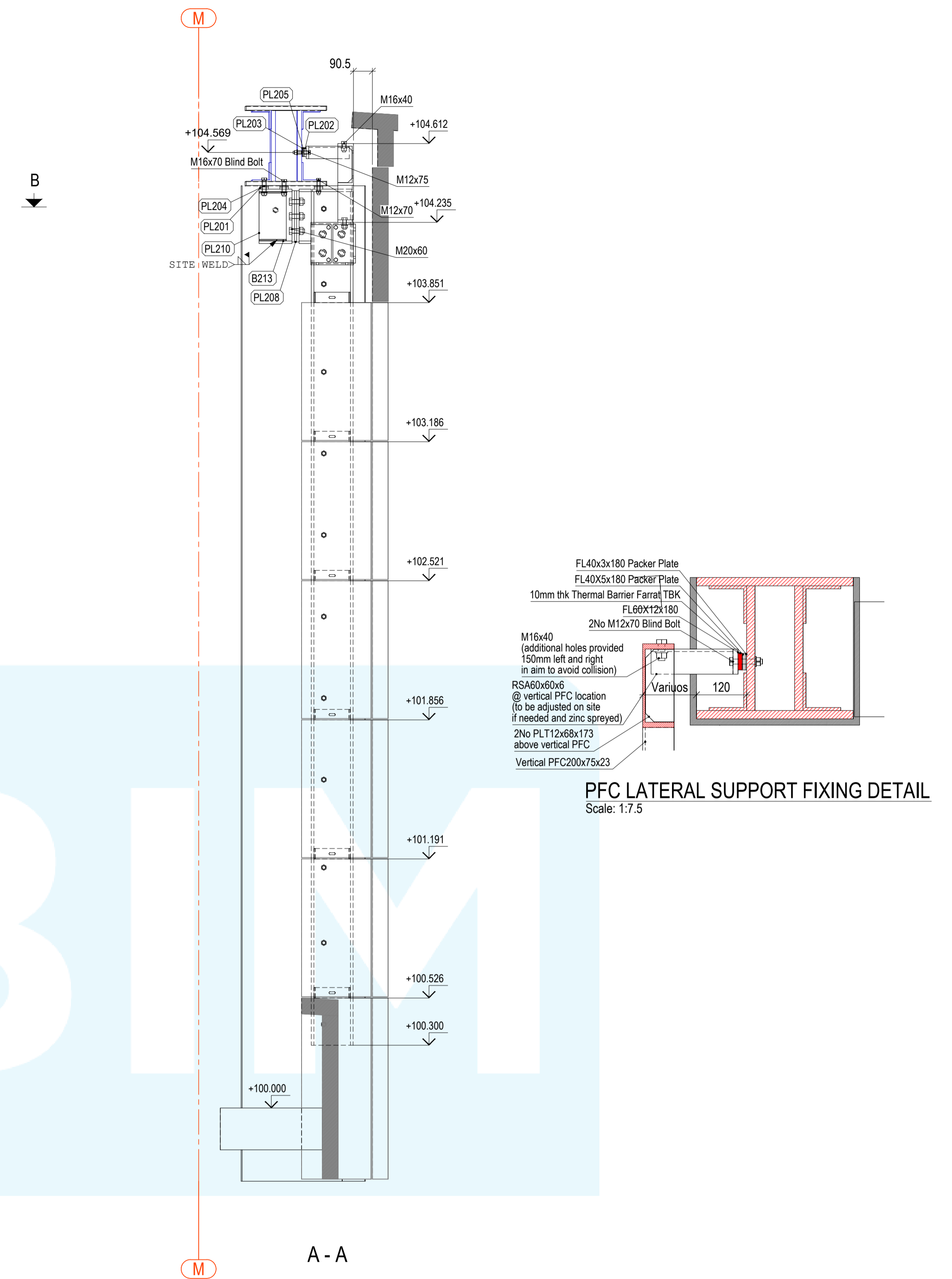
C - C



PFC BRACKET TYP DETAIL
Scale: 1:7.5

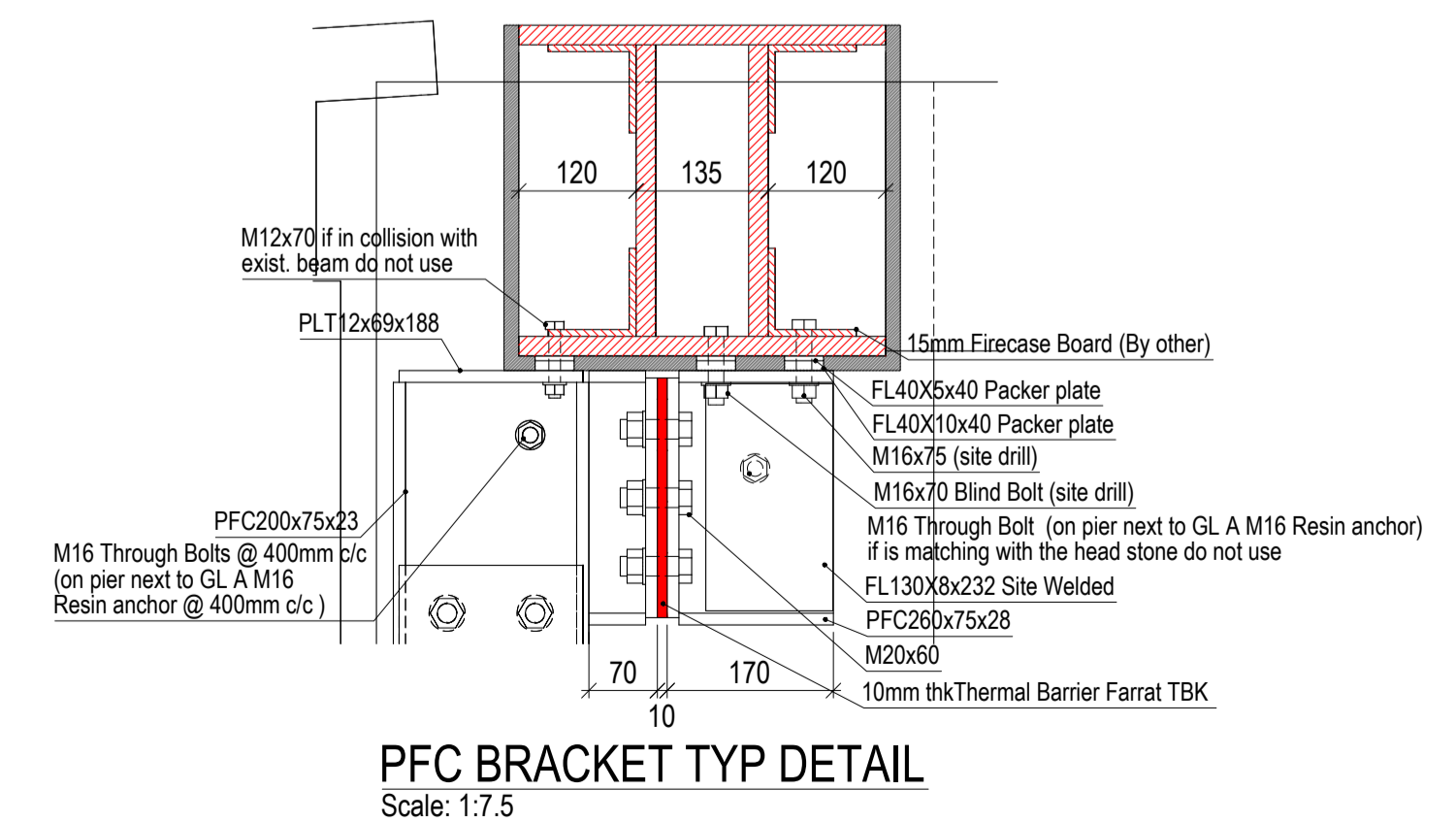


OPENING 9 - STEEL BETWEEN GL 7-9
Scale: 1:15



A - A

B - B



PFC BRACKET TYP DETAIL
Scale: 1:7.5