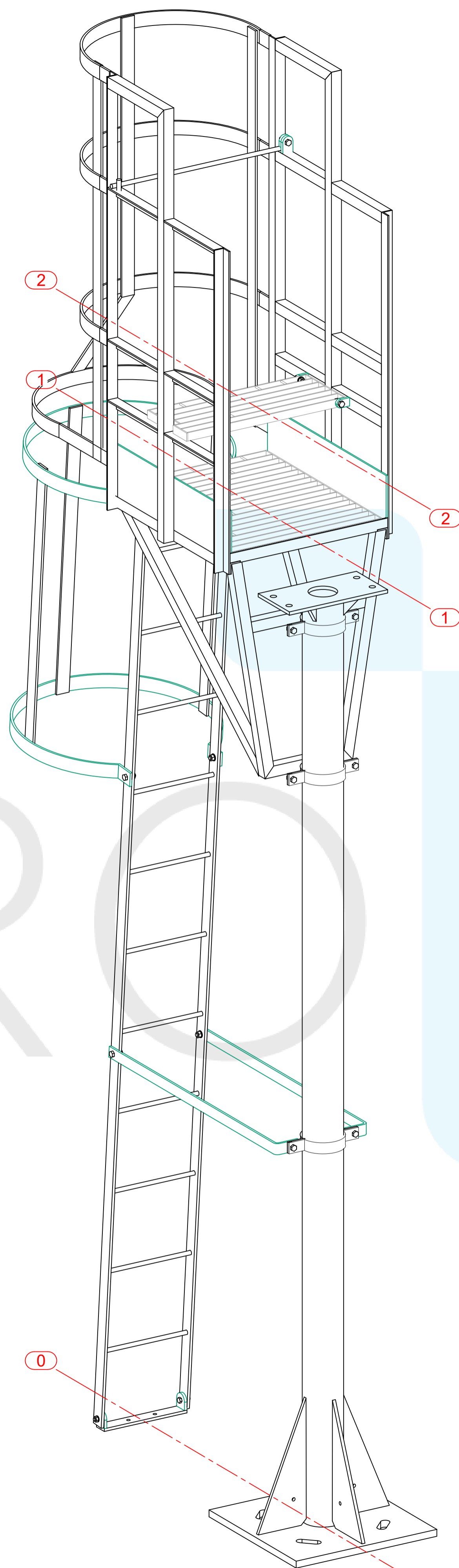
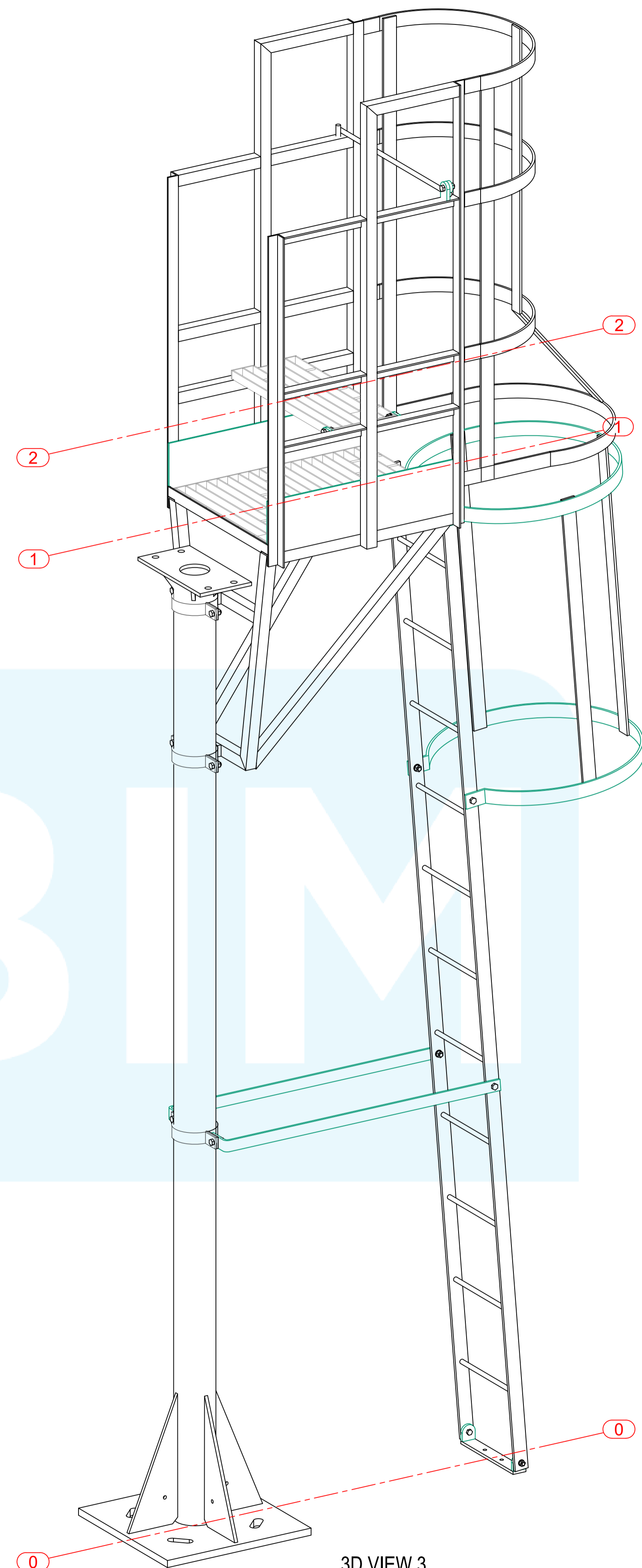


3D VIEW 1  
Scale: 1:10

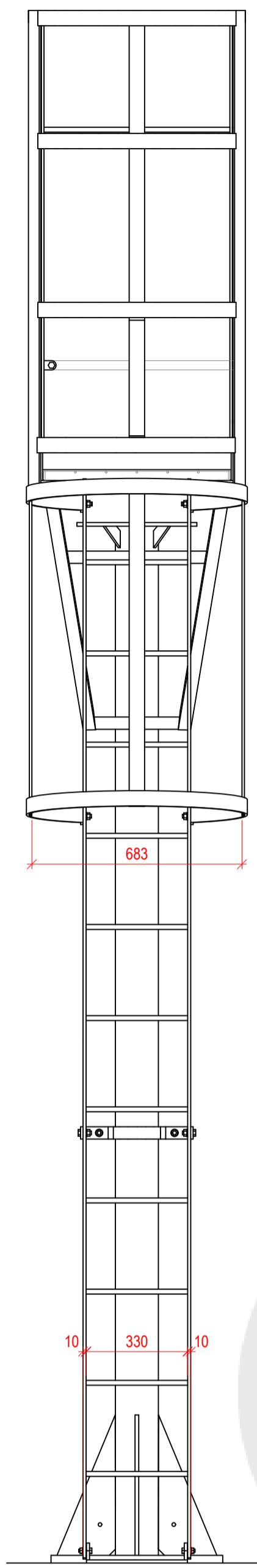


3D VIEW 2  
Scale: 1:10

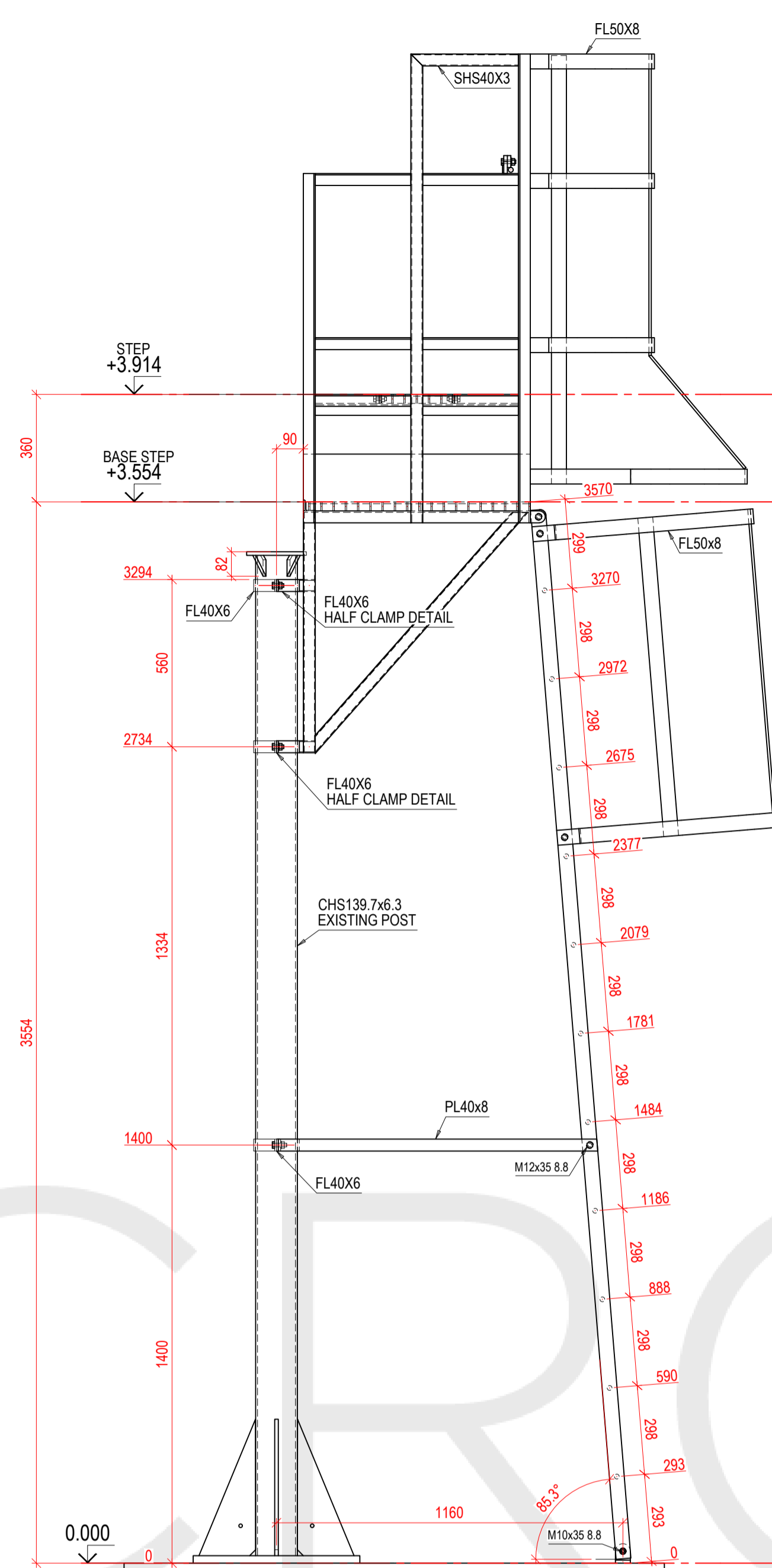


3D VIEW 3  
Scale: 1:10

A

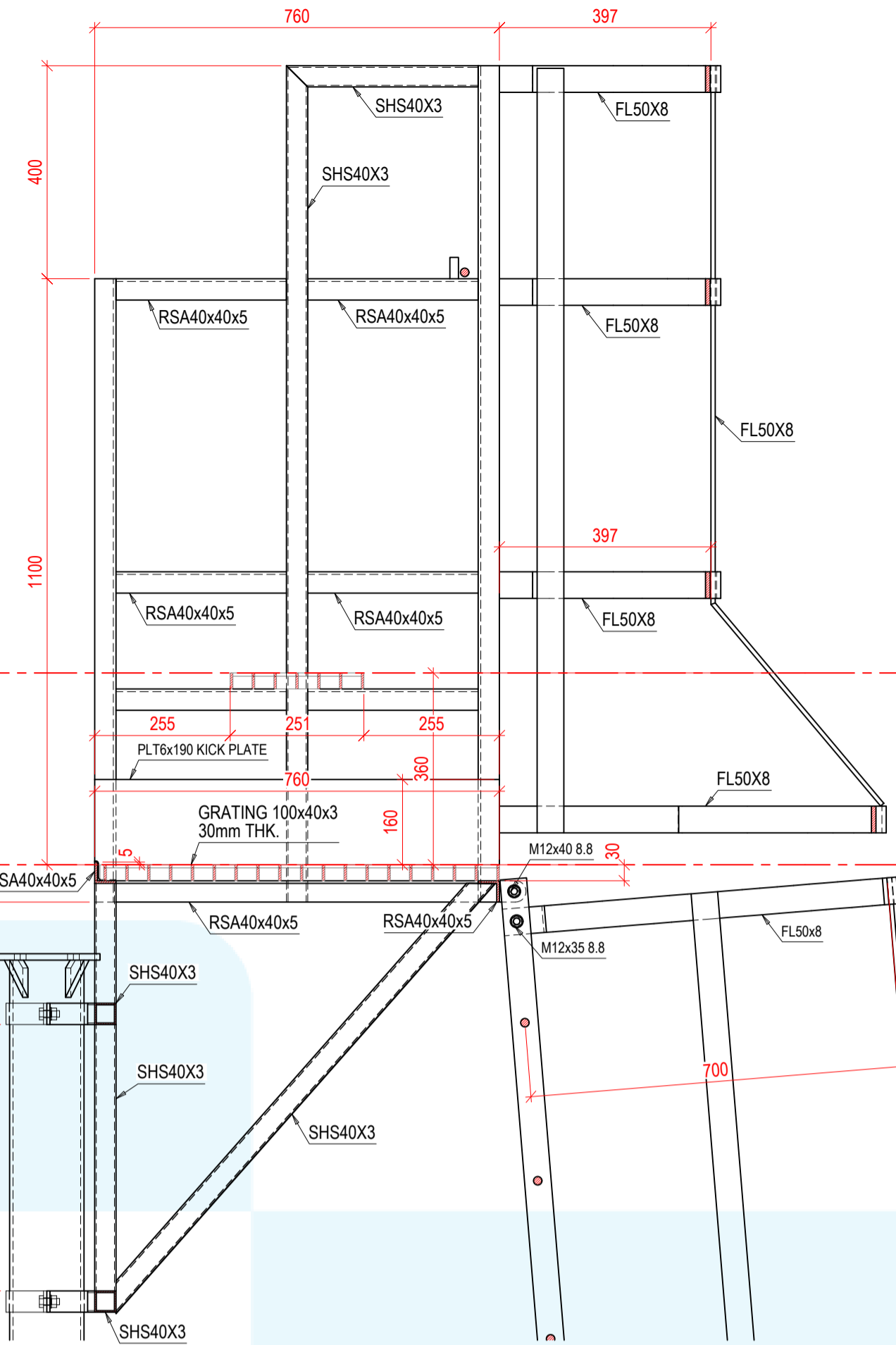


FRONT VIEW - SIGNAL POLE LADDER & CAGE  
Scale: 1:15

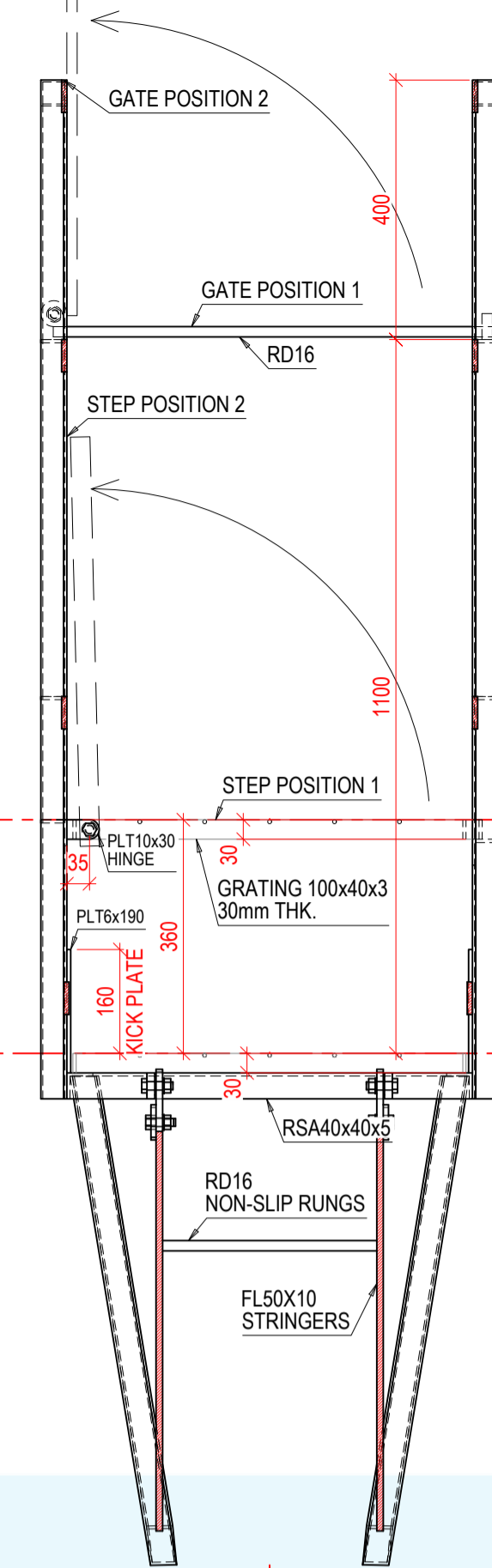


50x10 FLAT GALVANISED END STRAP BOLTED TO LADDER.  
THIS ALLOWS LADDER TO BE SECURED TO CONC. BLOCK IN GROUND.  
ALL HOLES 12mm DIA.

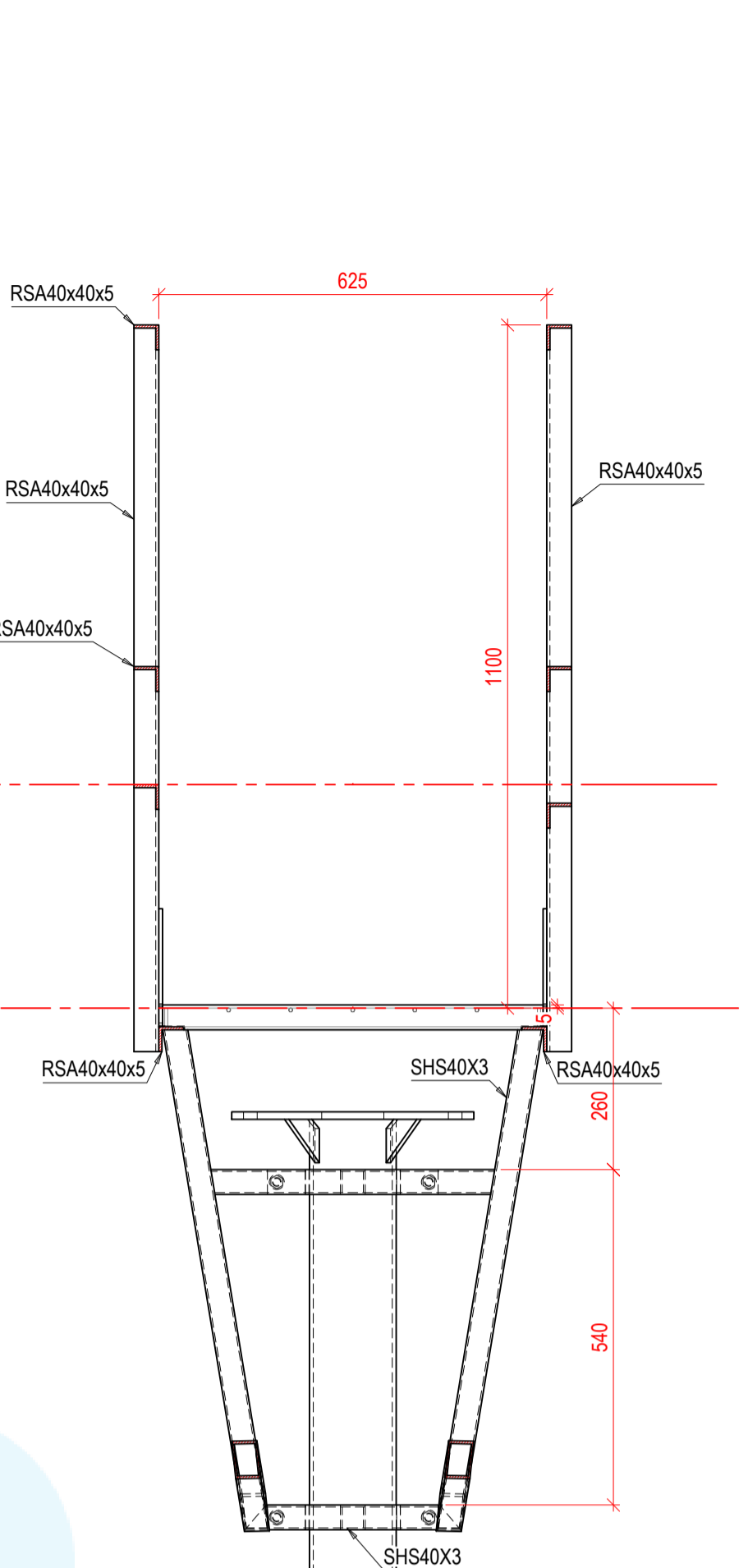
A - A



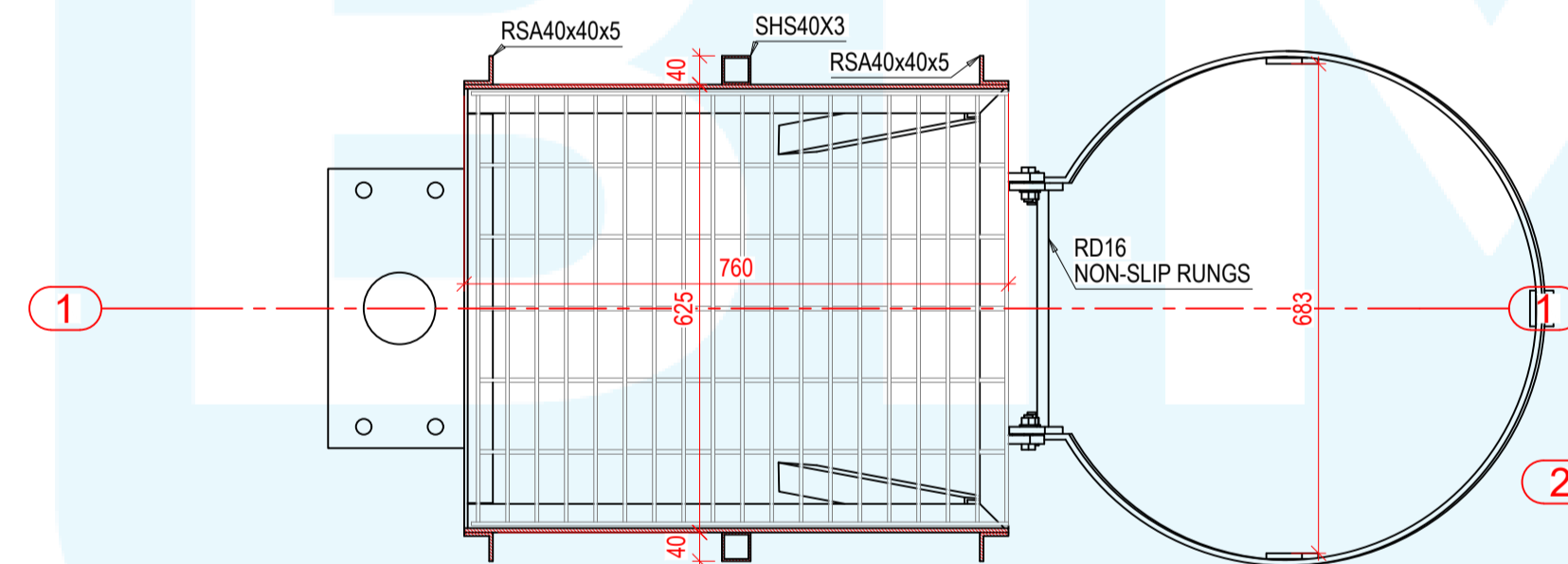
CAGE SECTION 1  
Scale: 1:10



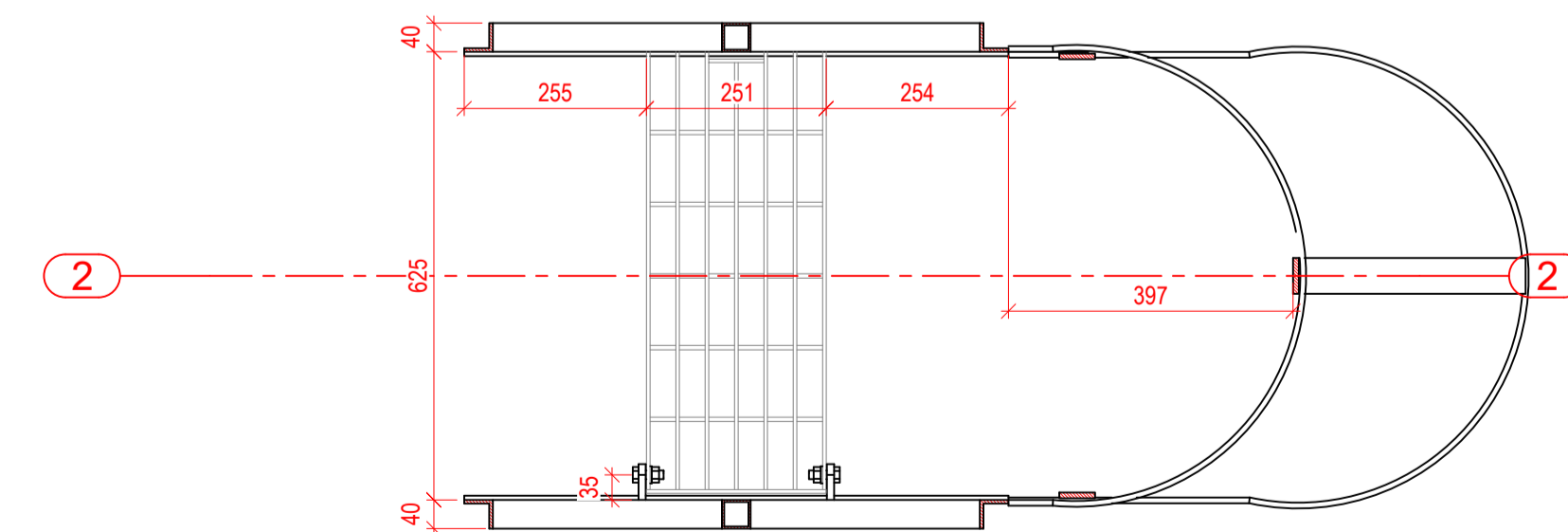
CAGE SECTION 2  
Scale: 1:10



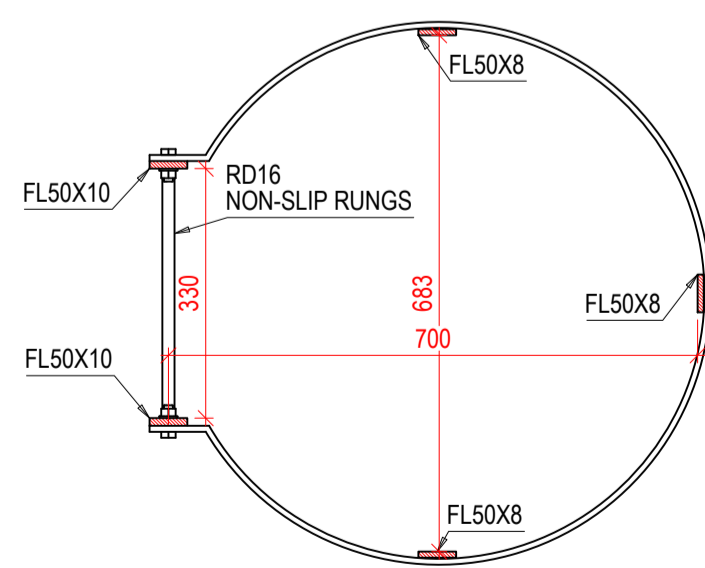
CAGE SECTION 3  
Scale: 1:10



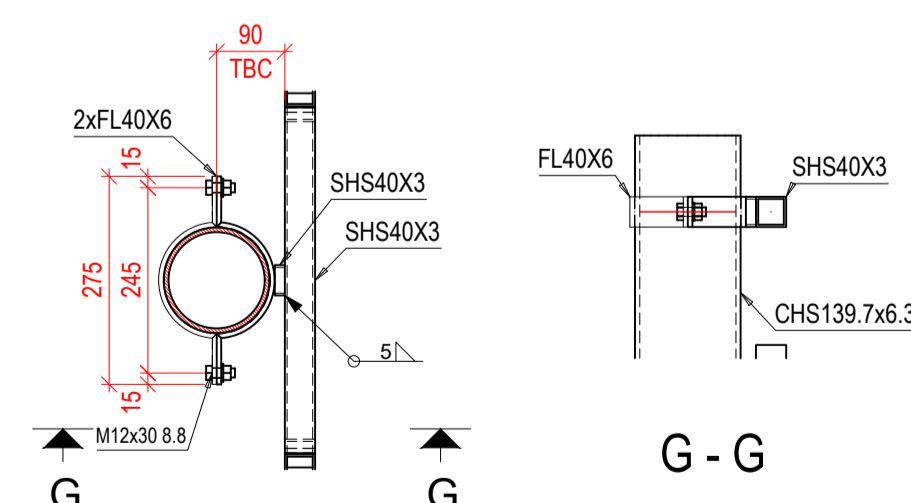
PLAN VIEW AT STEP 1  
Scale: 1:10



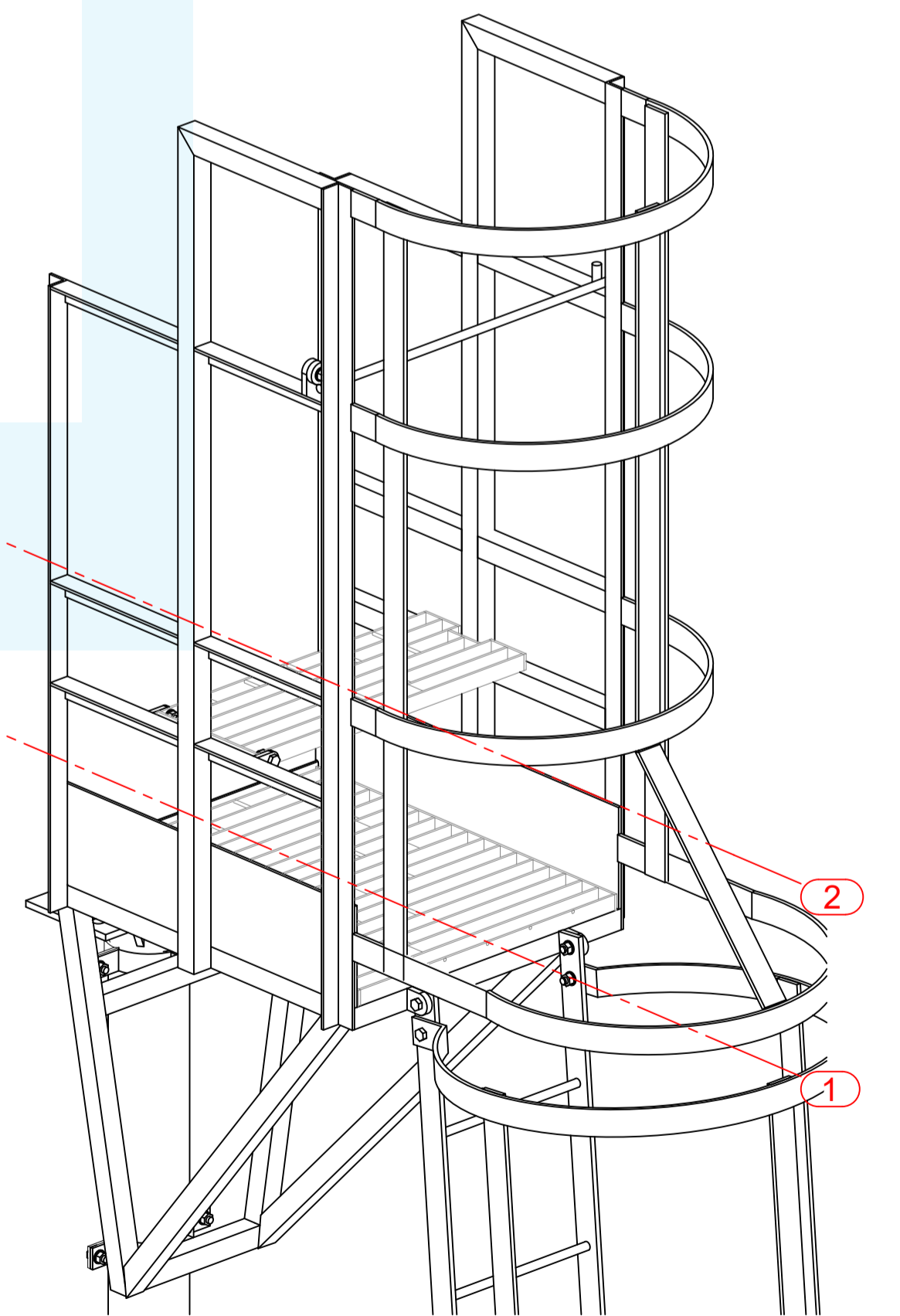
PLAN VIEW AT STEP 2  
Scale: 1:10



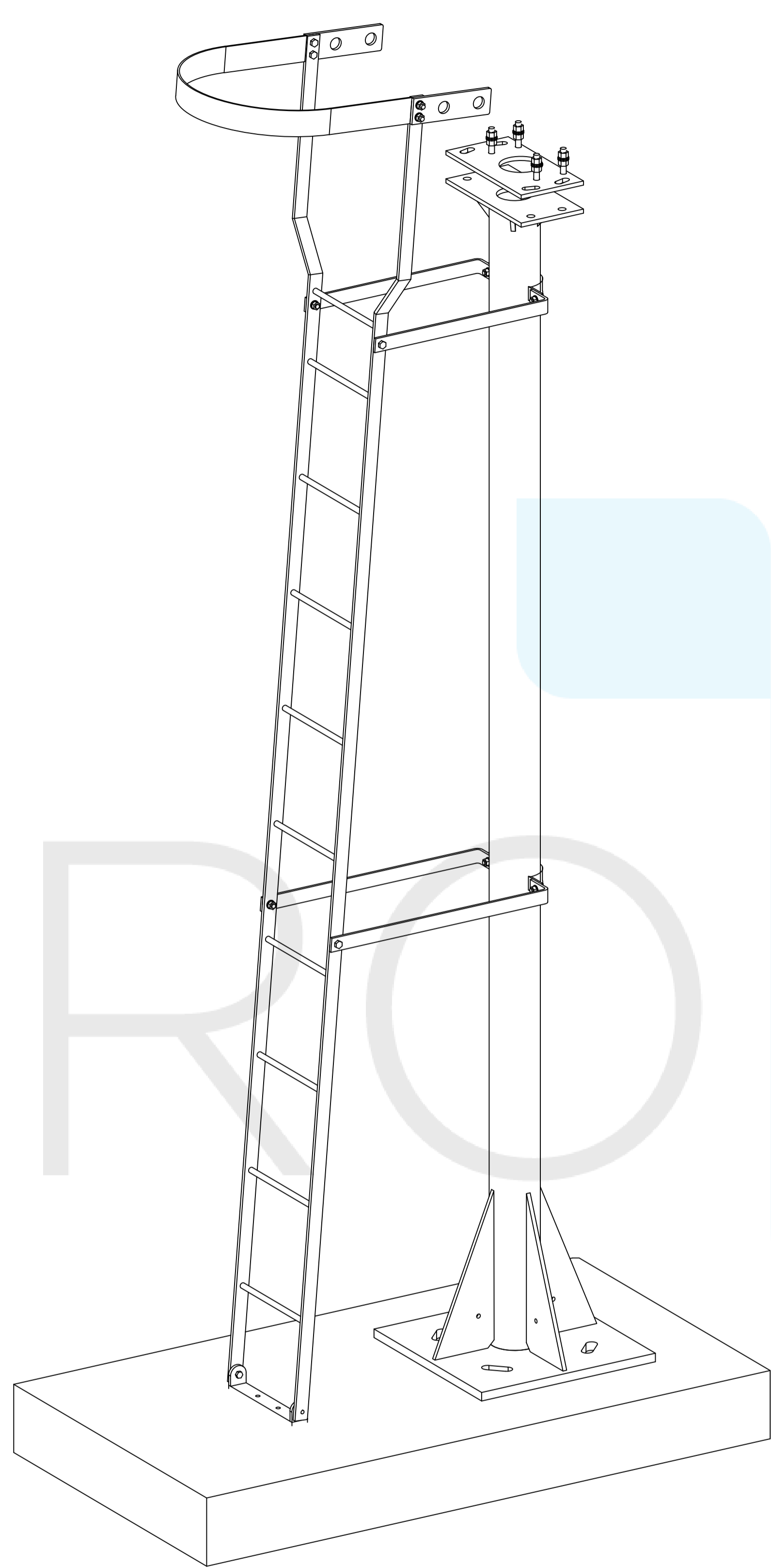
CAGE SECTION 4  
Scale: 1:10



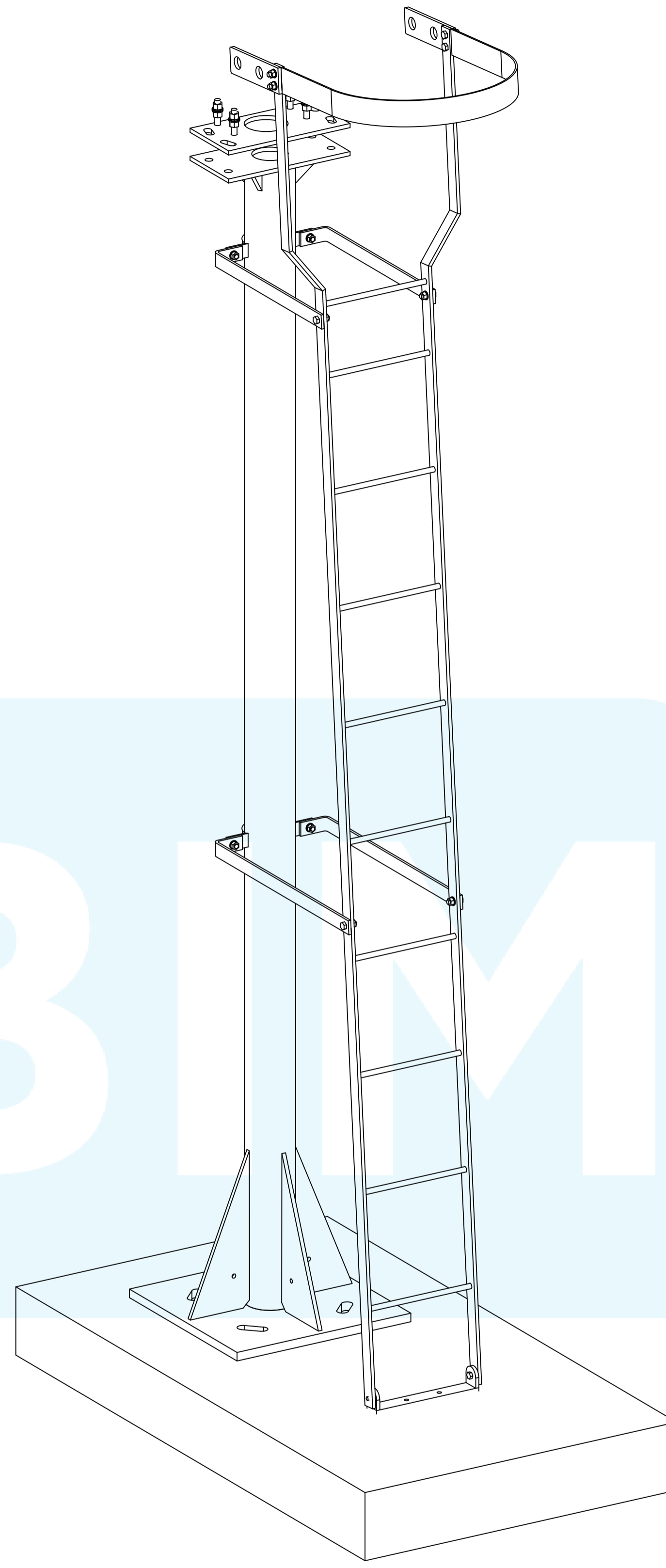
HALF CLAMP DETAIL  
Scale: 1:10



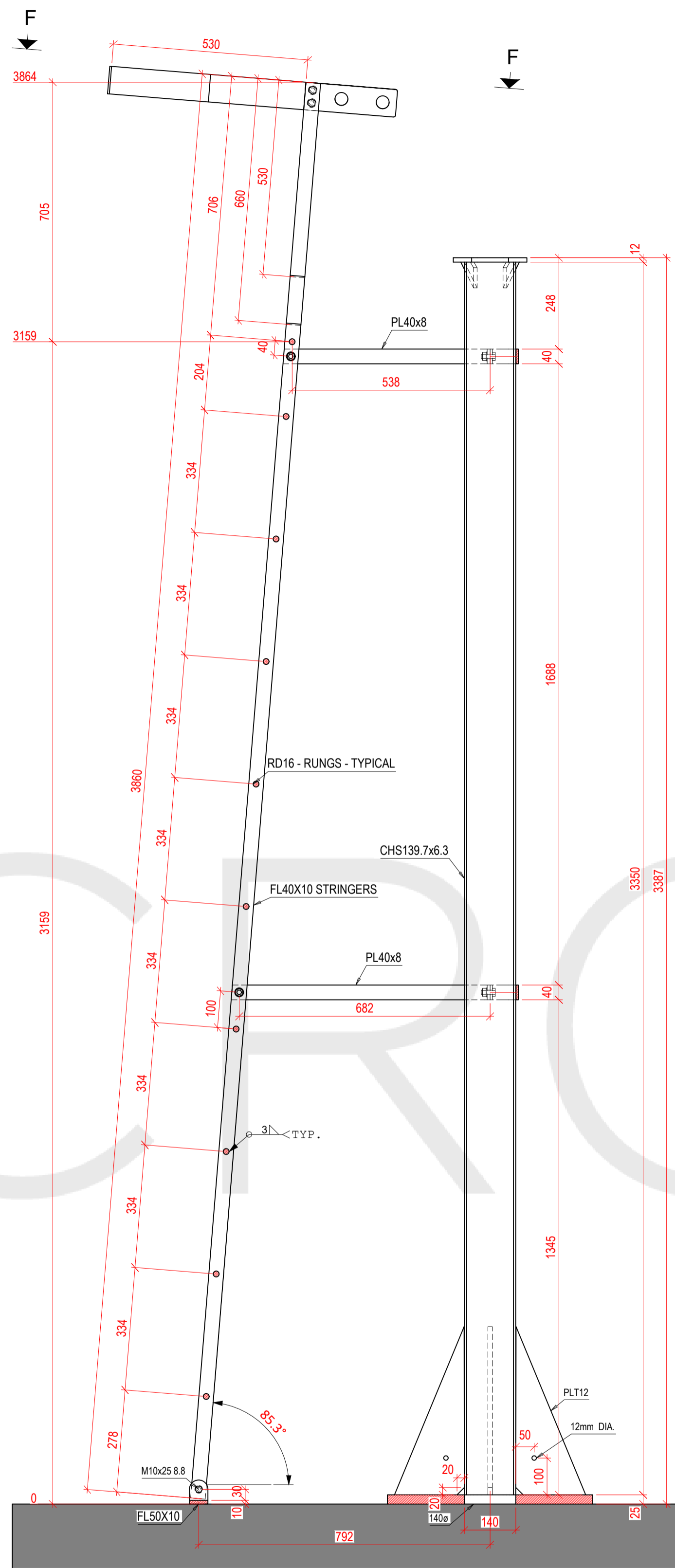
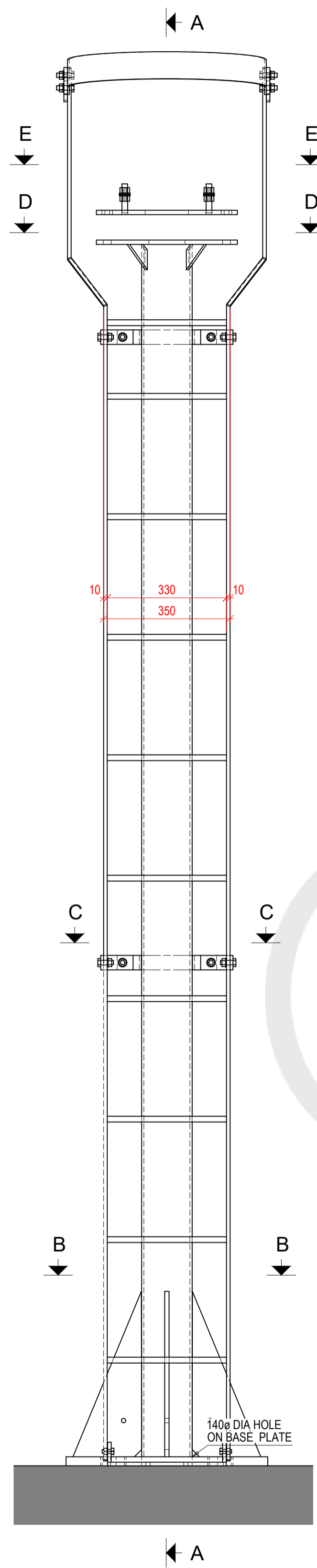
3D VIEW - CAGE  
Scale: 1:10



3D VIEW 1  
Scale: 1:10

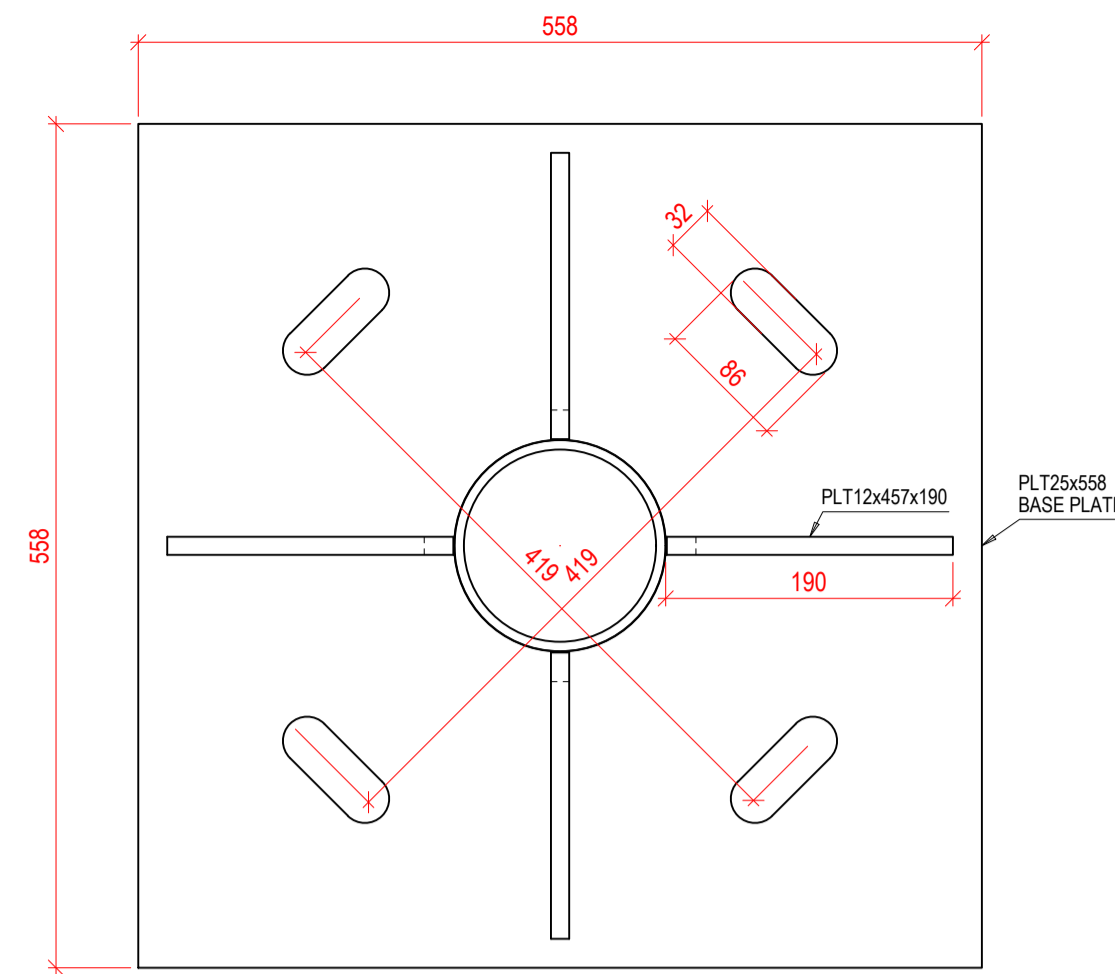


3D VIEW 2  
Scale: 1:10

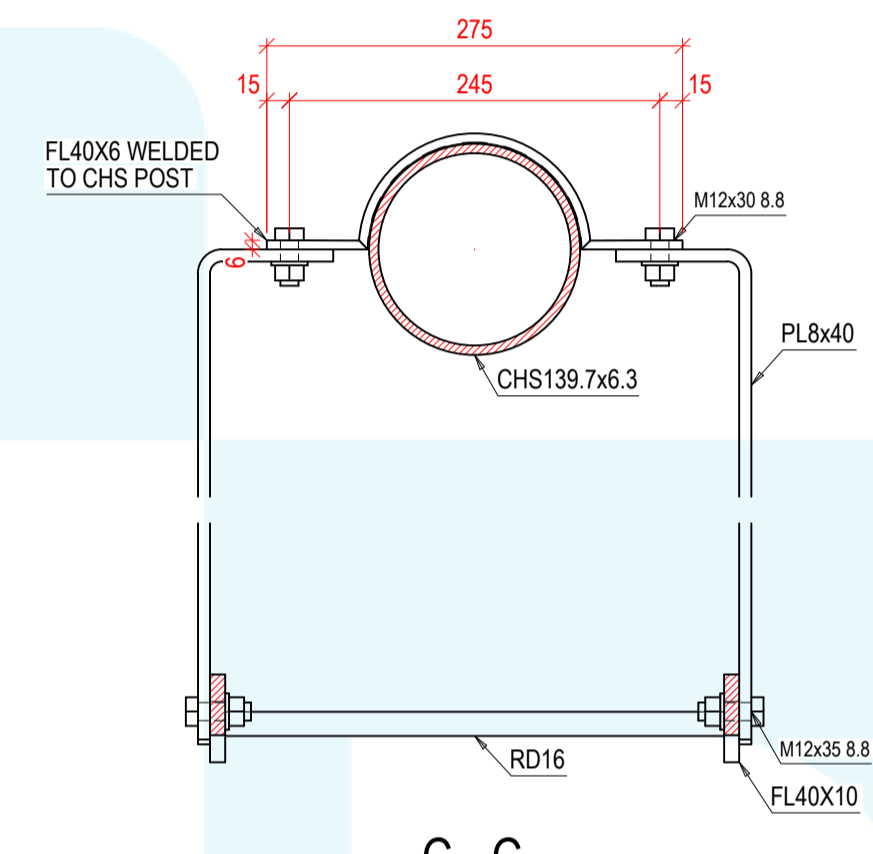


50x10 FLAT GALVANISED END STRAP BOLTED TO LADDER.  
THIS ALLOWS LADDER TO BE SECURED TO CONC. BLOCK IN GROUND.  
ALL HOLES 12mm DIA.

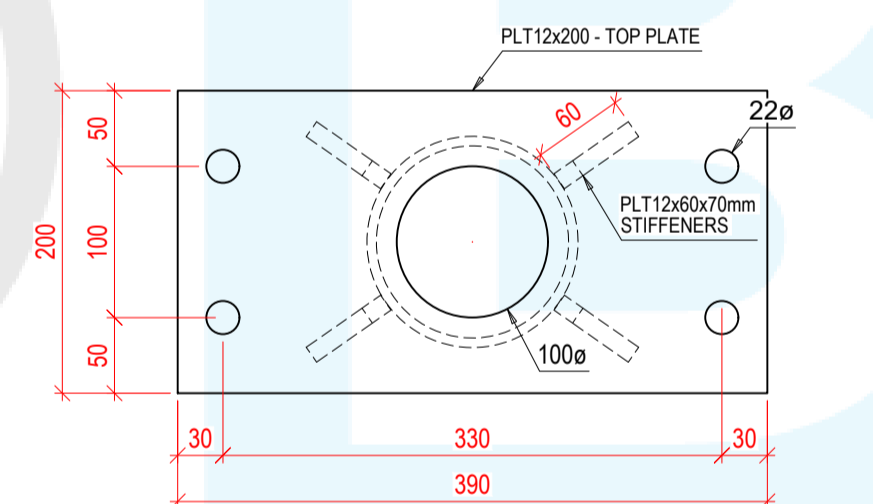
FRONT VIEW - SIGNAL POLE 3350mm, LADDER, ADAPTOR PLATE  
Scale: 1:10



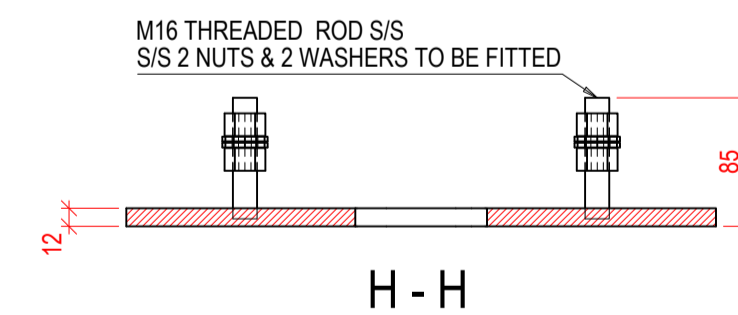
B - B - VIEW ON BASE



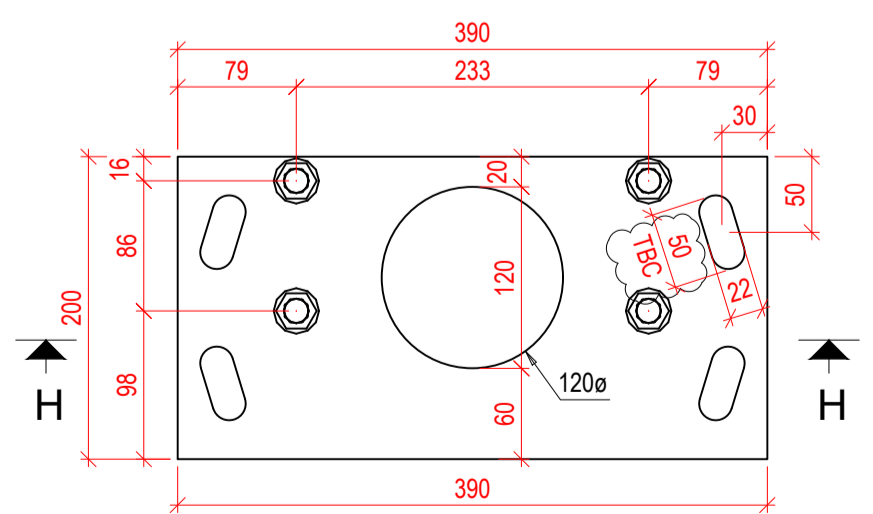
C - C



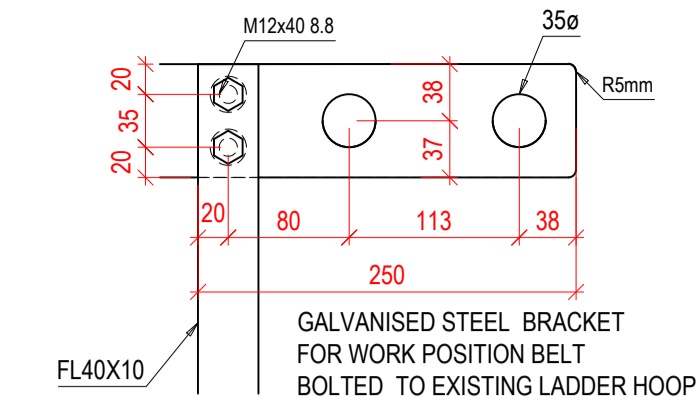
D - D - TOP PLATE



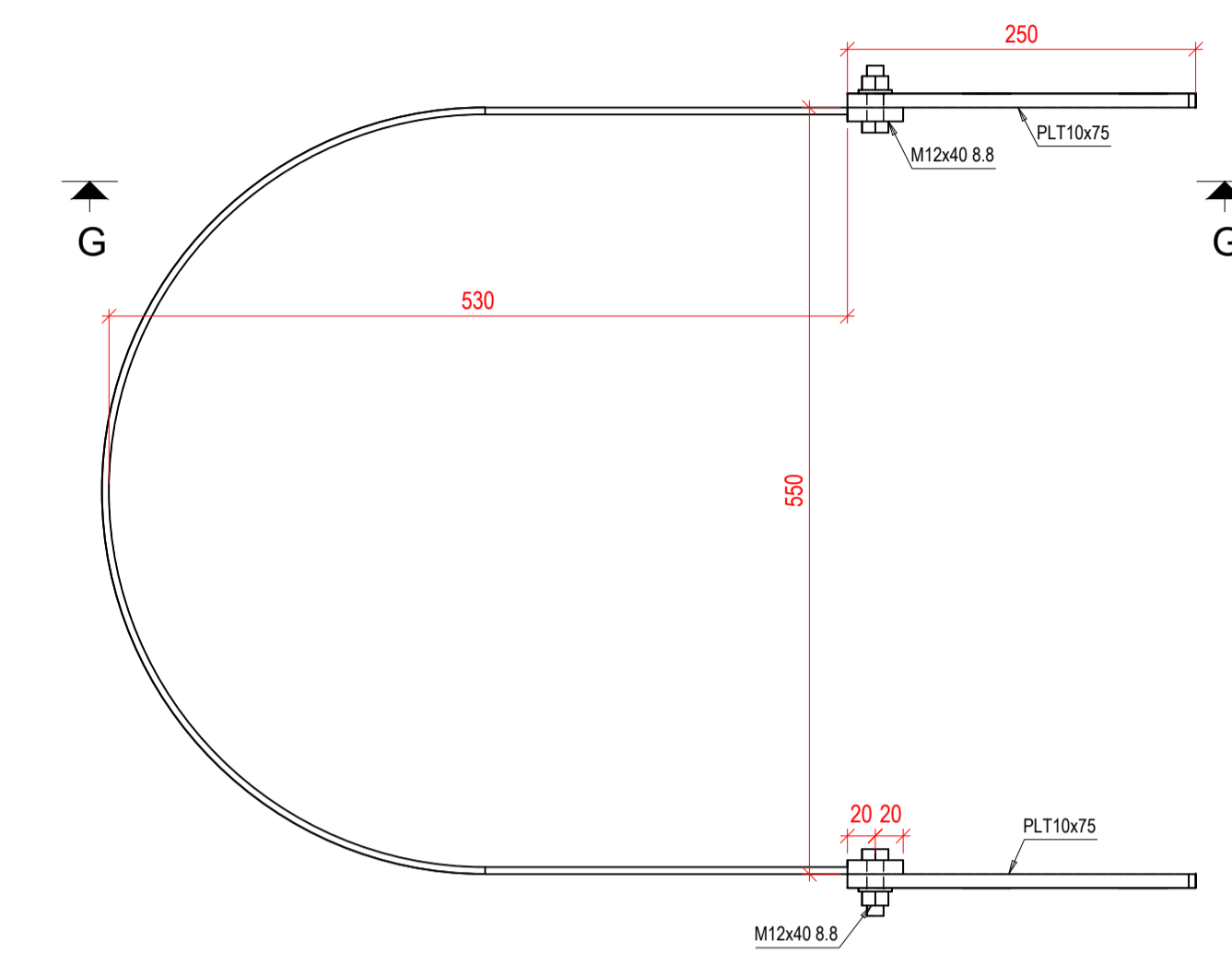
H - H



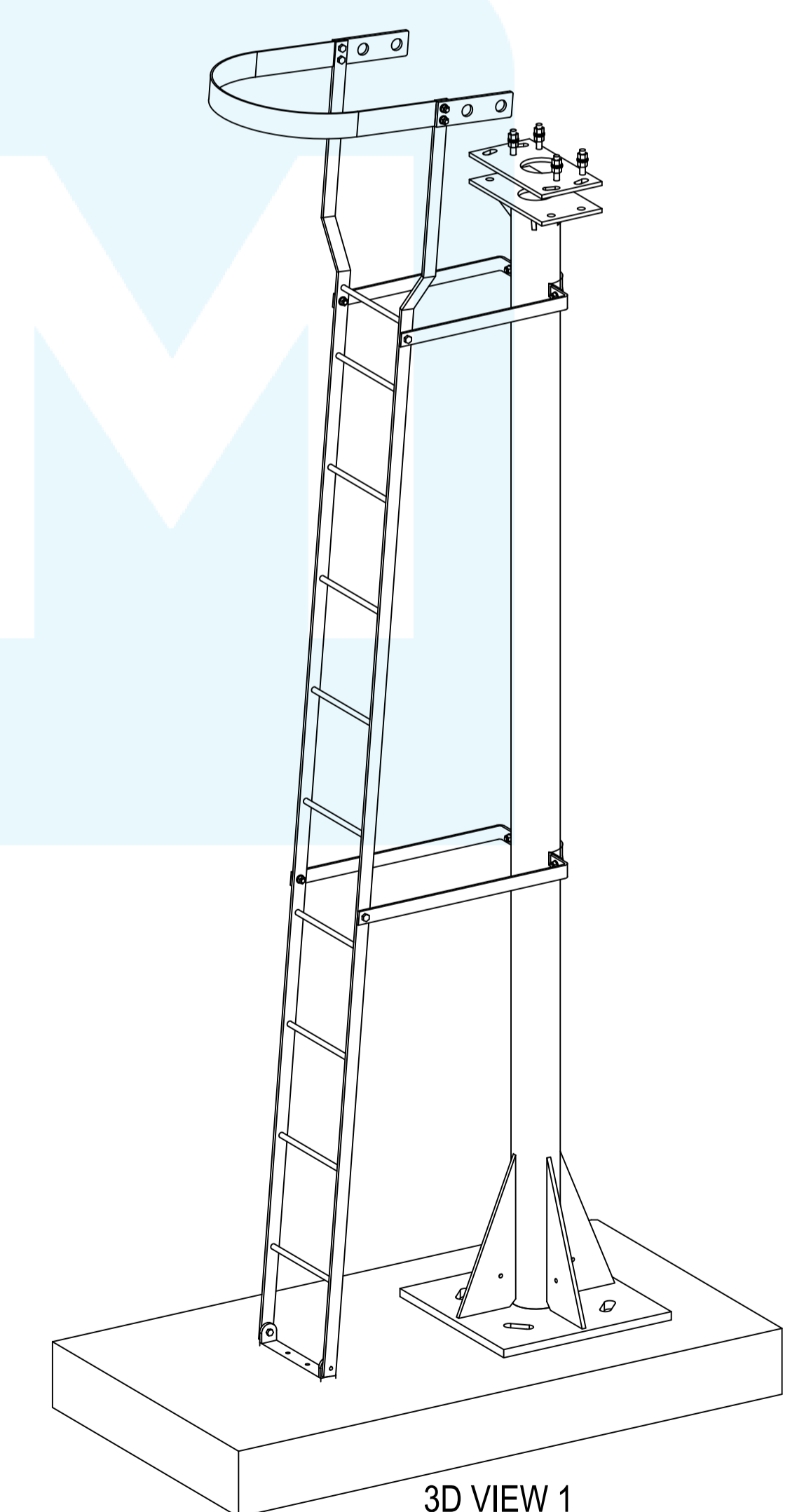
E - E



G - G



F - F



3D VIEW 1  
Scale: 1:15