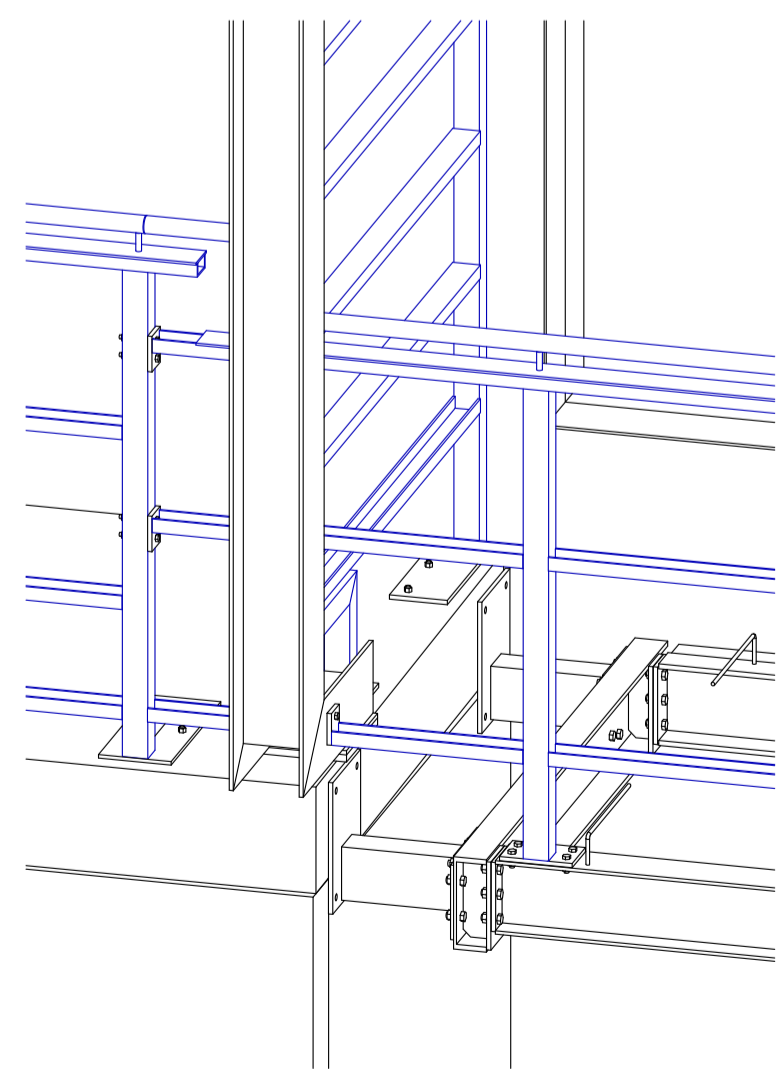
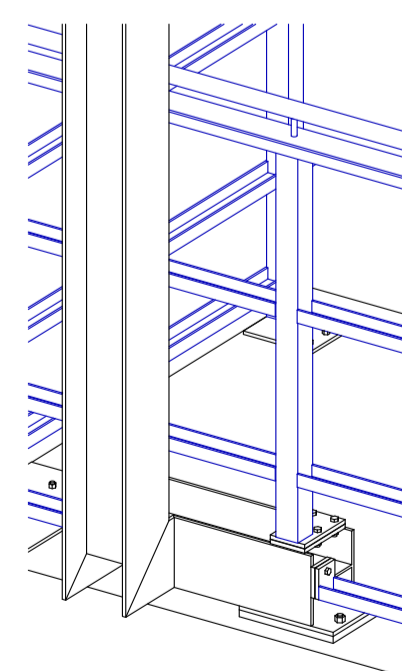


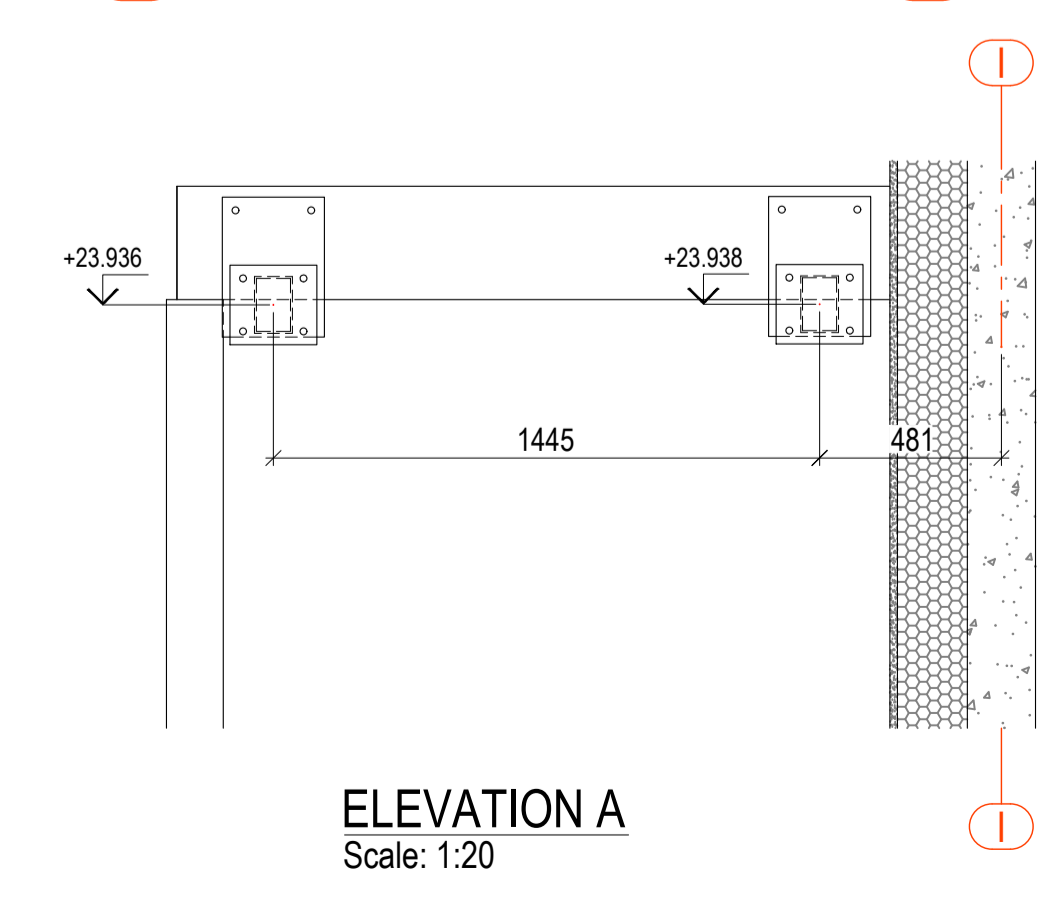
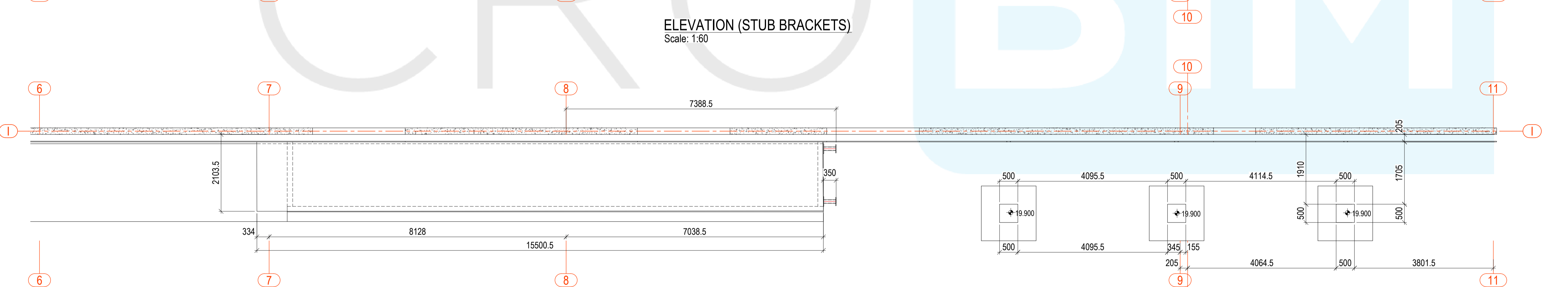
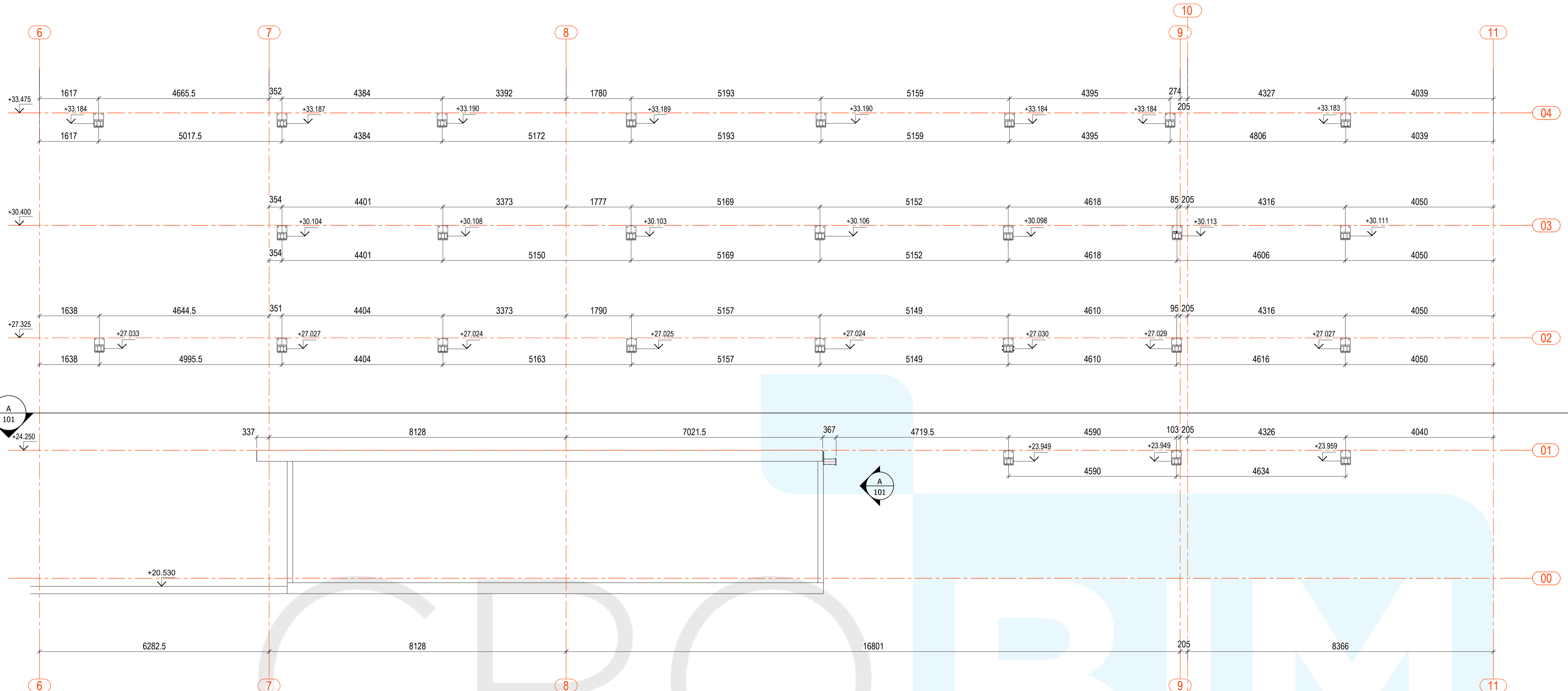
3D VIEW
Scale: 1:50

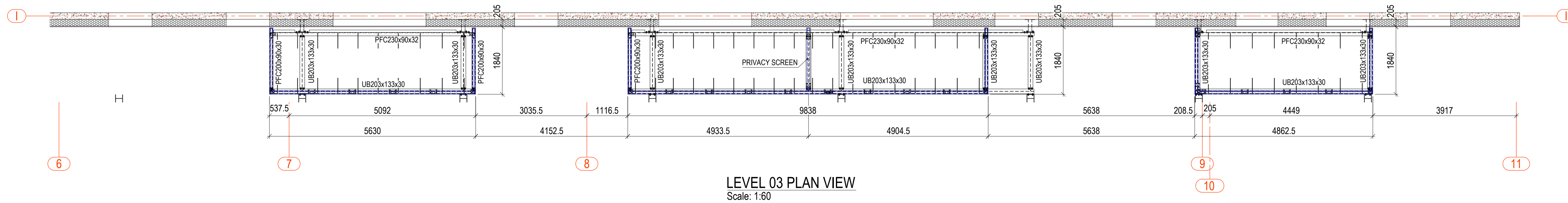
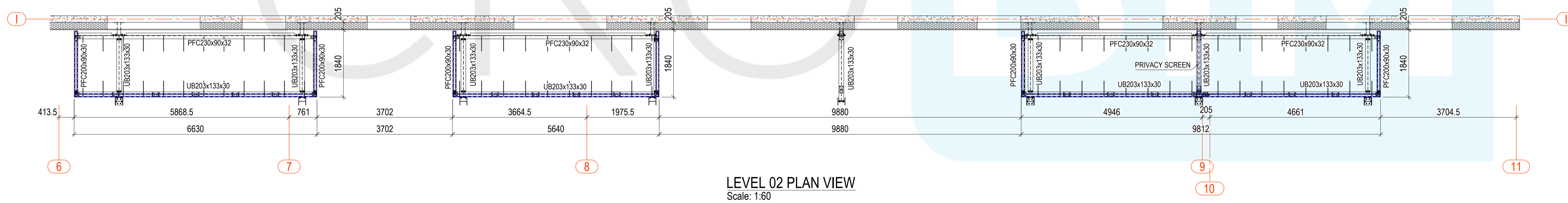
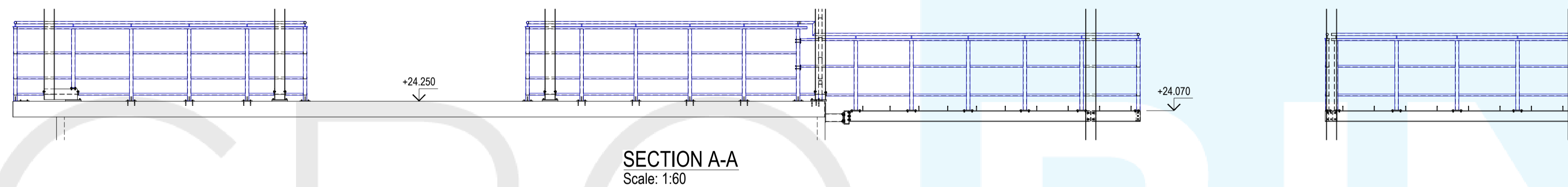
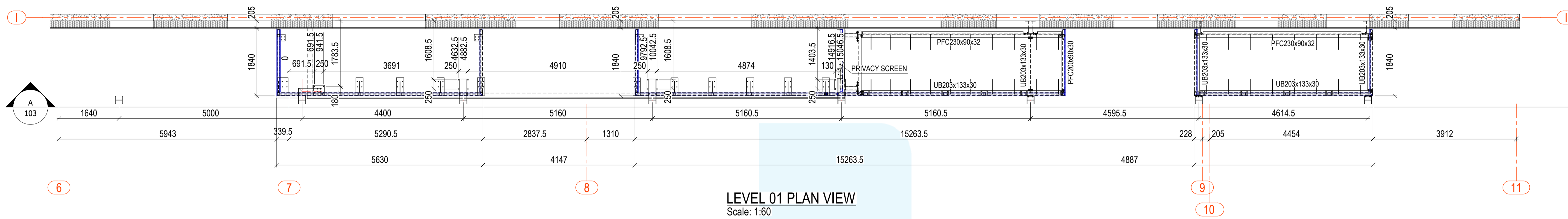
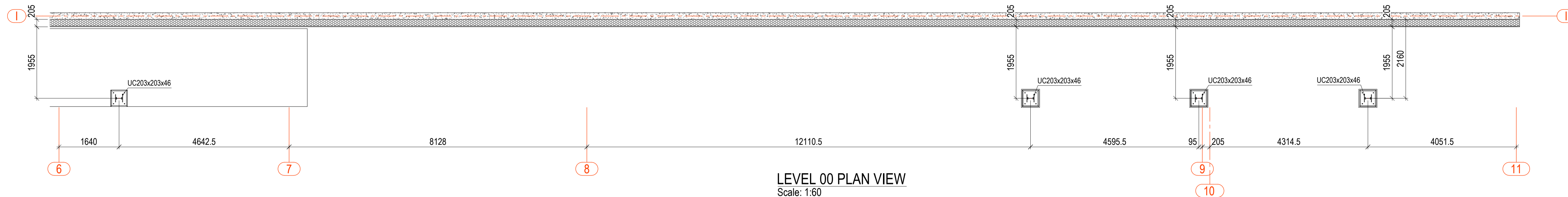


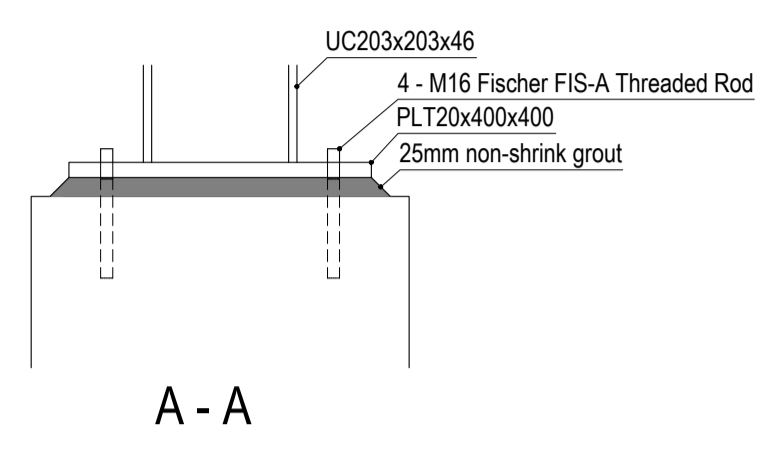
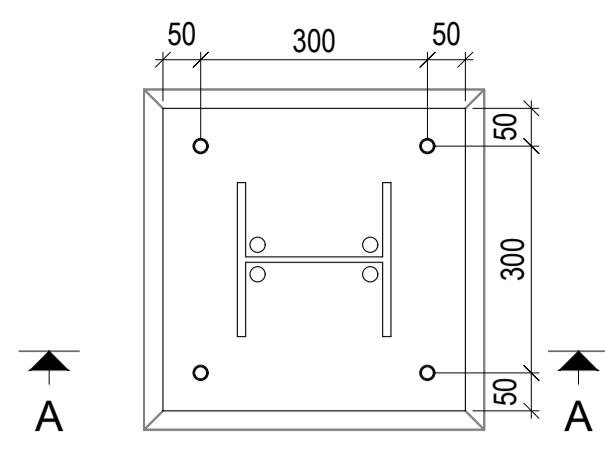
3D VIEW
Scale: 1:20



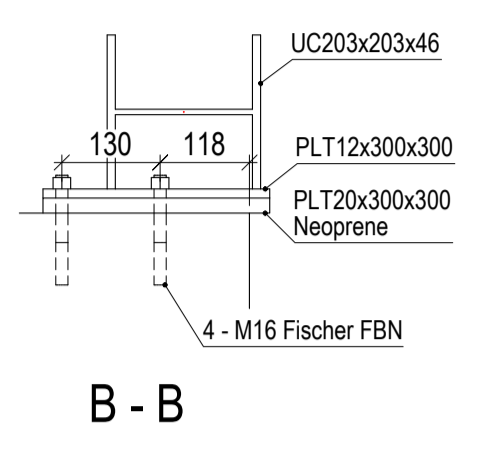
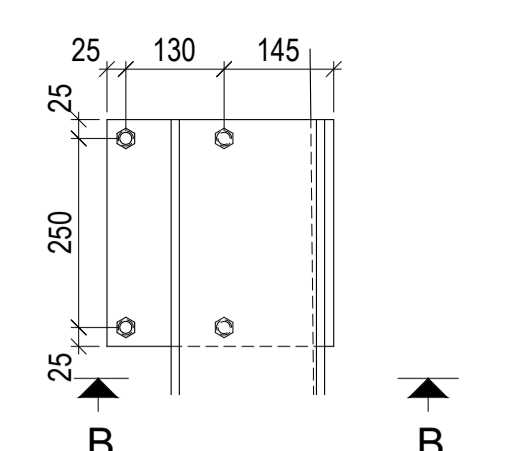
3D VIEW
Scale: 1:20



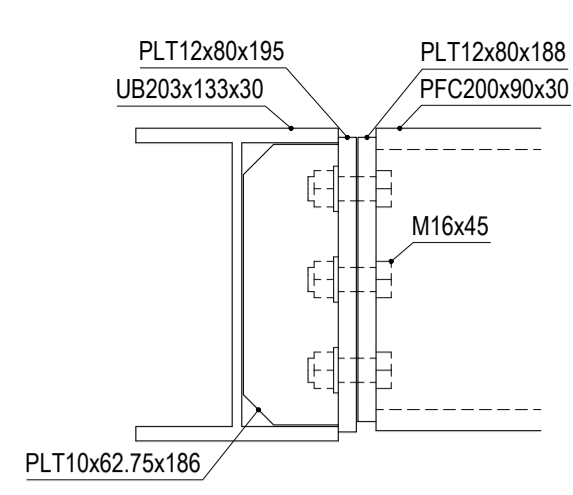




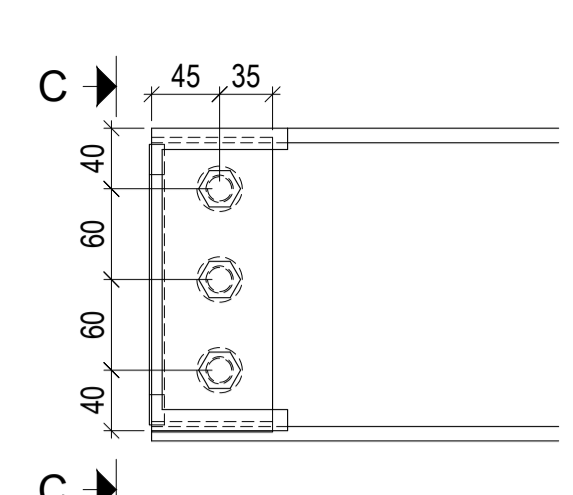
BASE PLATE DETAIL
Scale 1:10



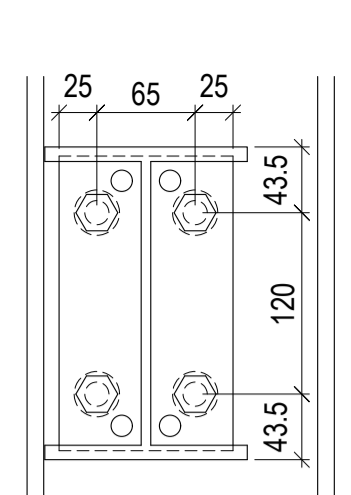
BASE PLATE DETAIL (TERRACE)
Scale 1:10



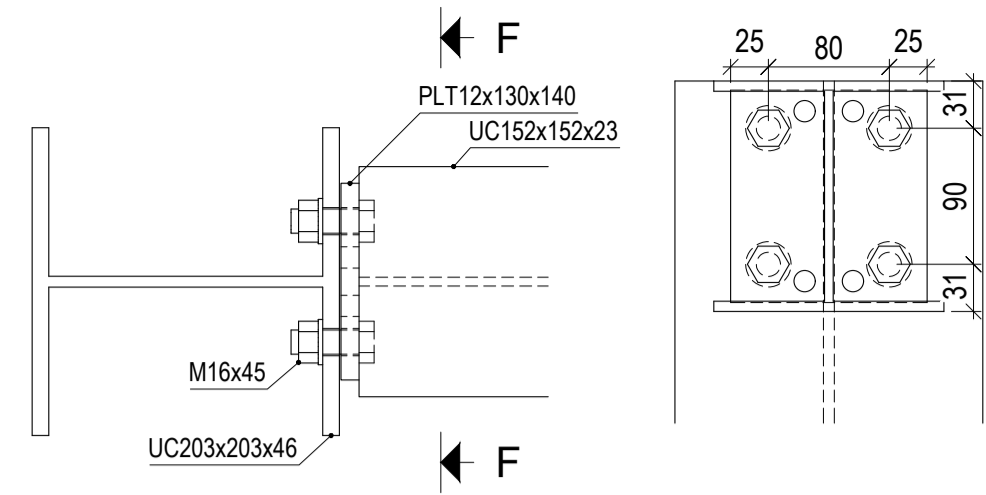
PFC200 TO UB233x133
Scale 1:5



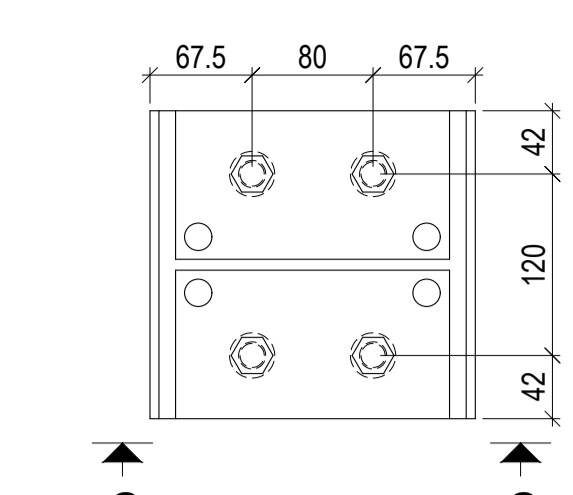
PFC230 TO PFC200 DETAIL
Scale 1:5



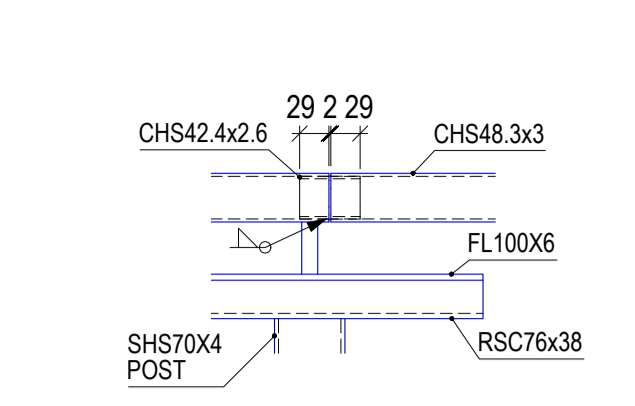
UB203x133 TO UC203
Scale 1:5



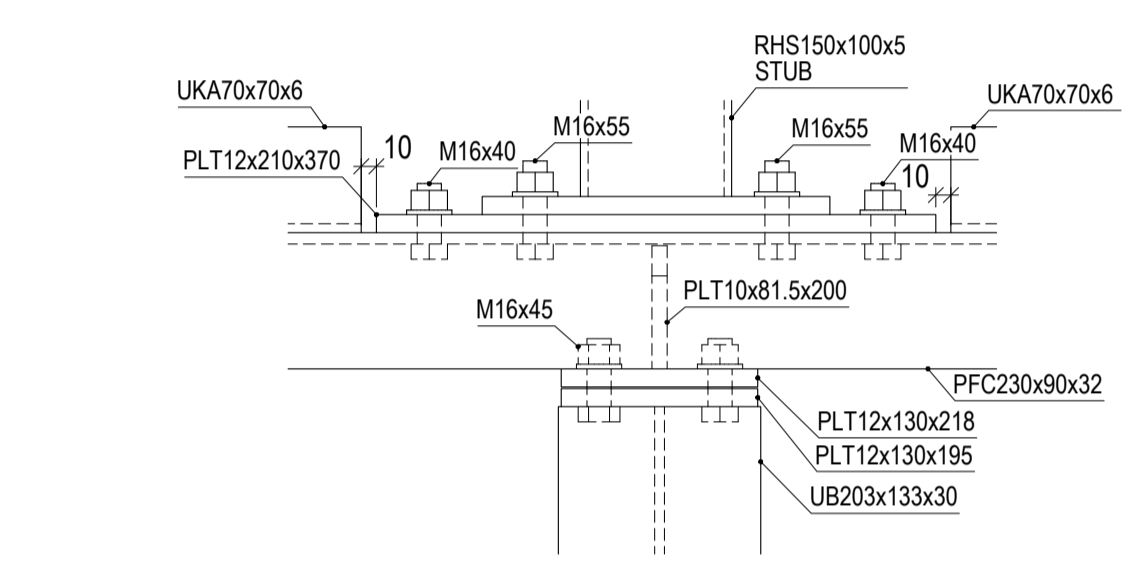
UC152 TO UC203
Scale 1:5



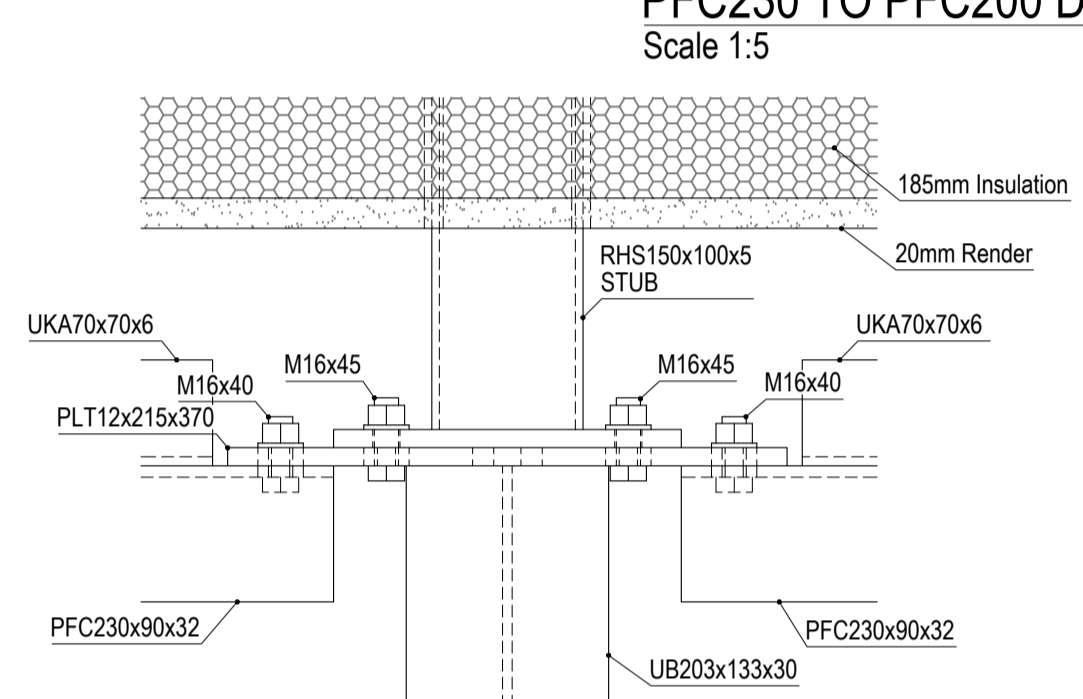
COLUMN SPLICE DETAIL
Scale 1:5



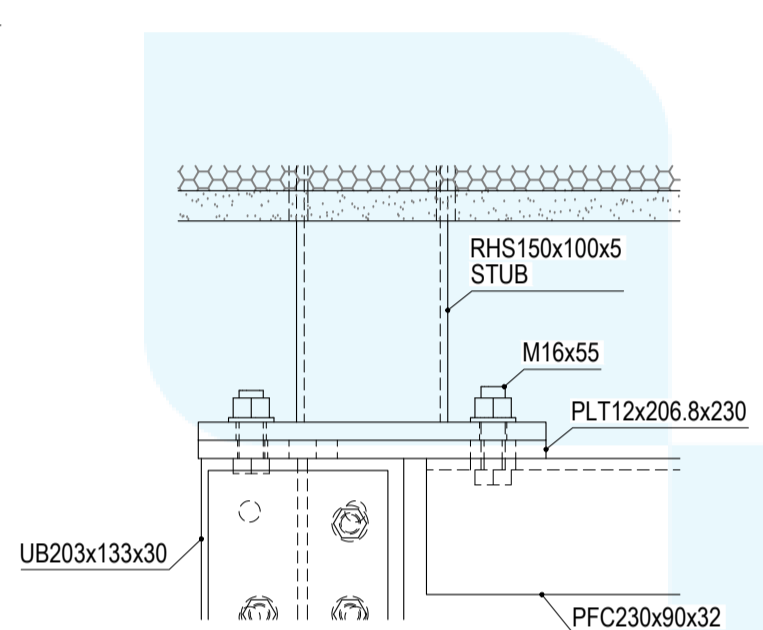
HANDRAIL SPLICE DETAIL
Scale 1:7.5



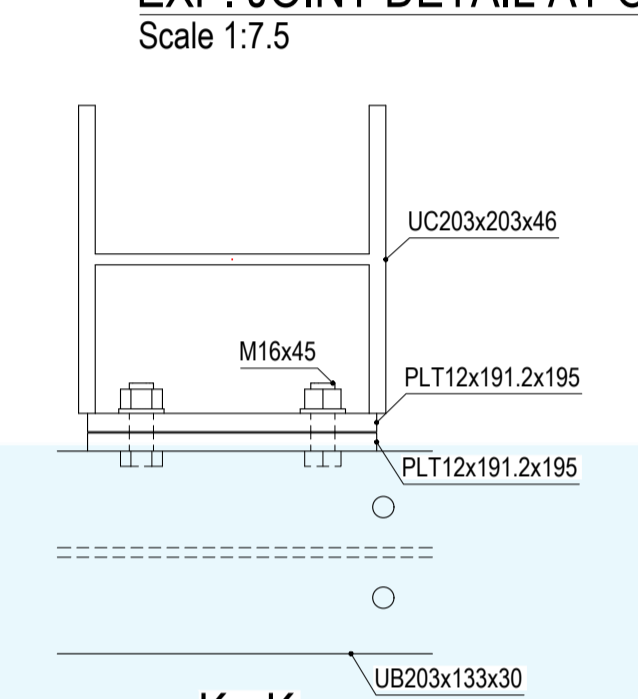
CONNECTION TO STUB DETAIL 1
Scale 1:5



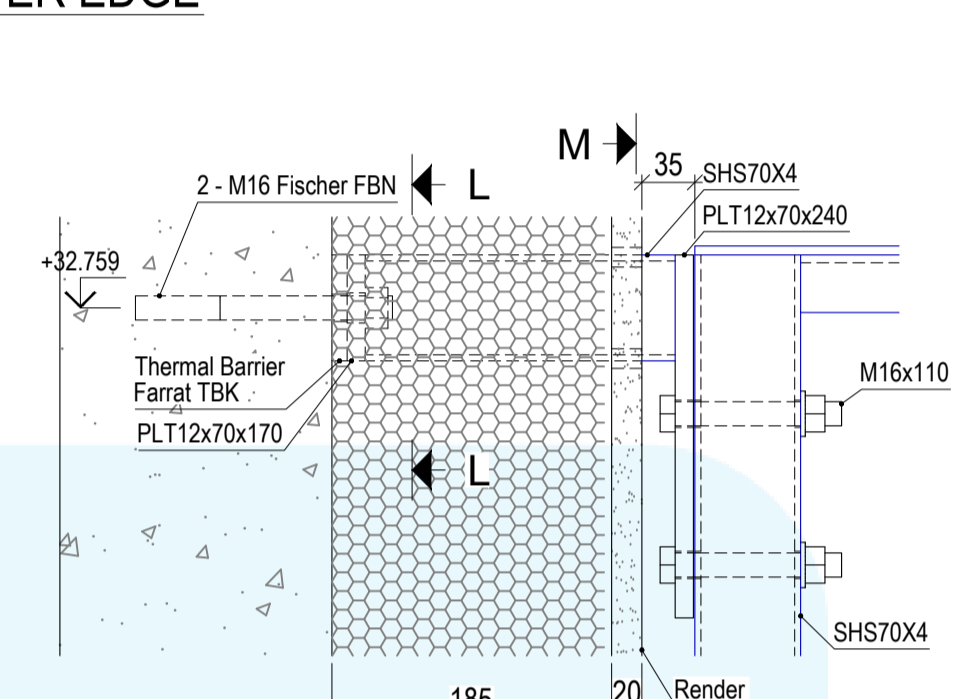
EXP. JOINT DETAIL AT BUILDING FACE
Scale 1:5



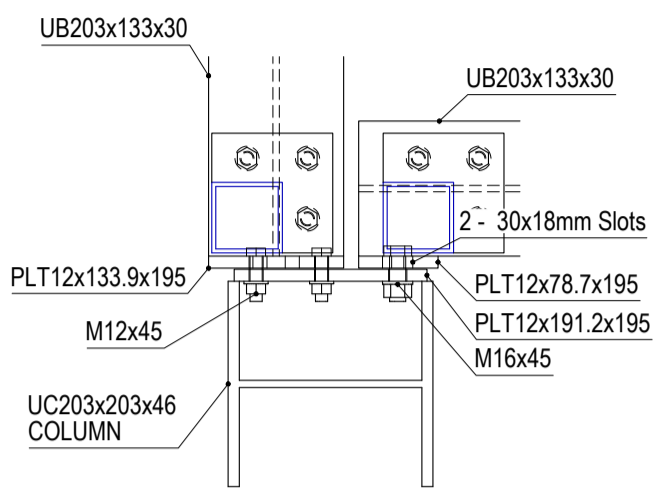
CONNECTION TO STUB AT GL9-10 L01&03
Scale 1:5



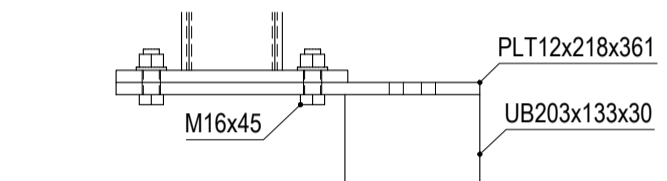
UC203 TO UB203x133 DETAIL
Scale 1:5



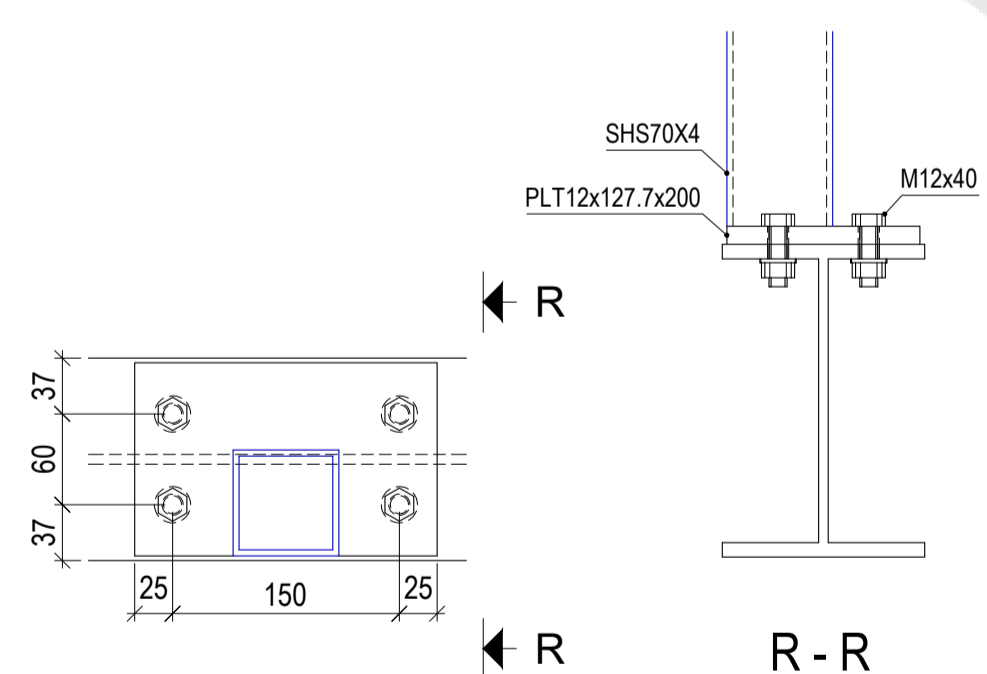
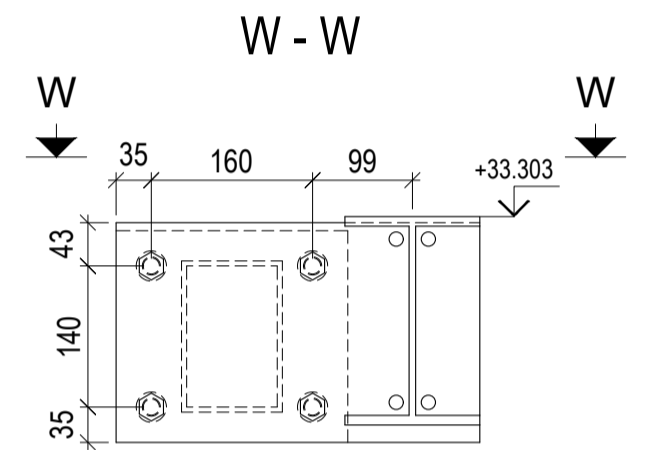
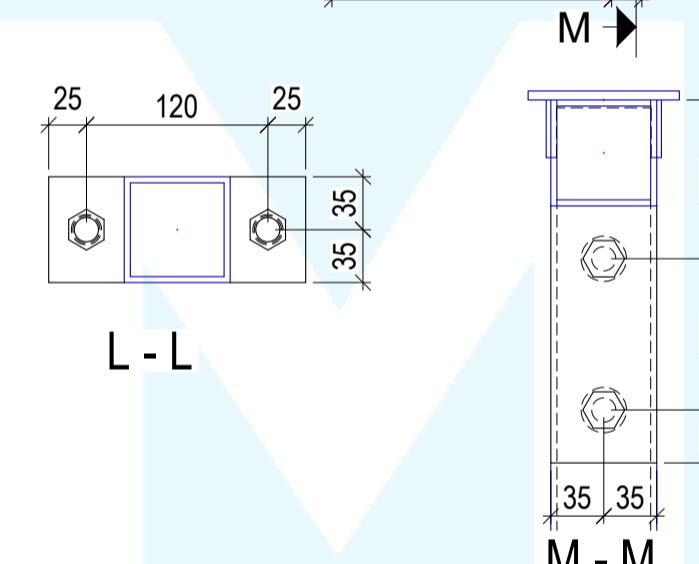
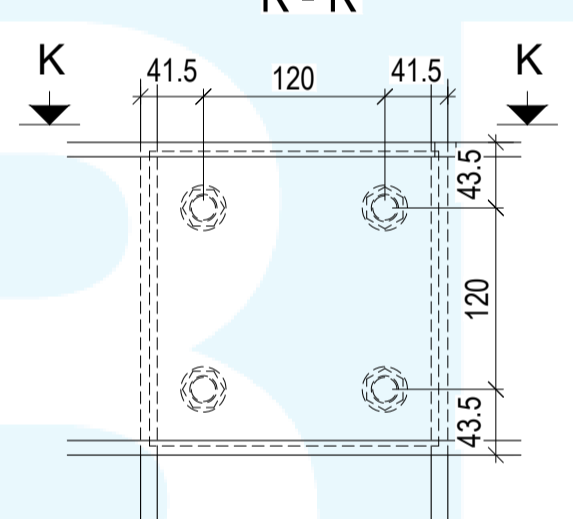
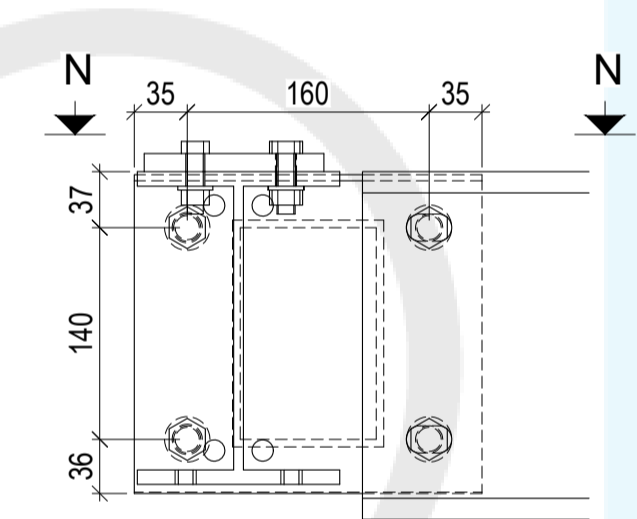
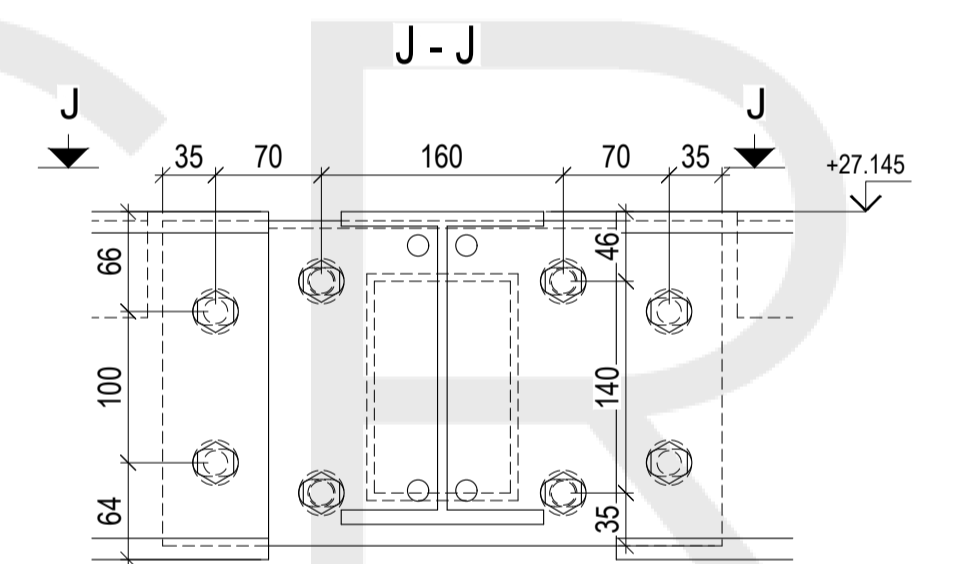
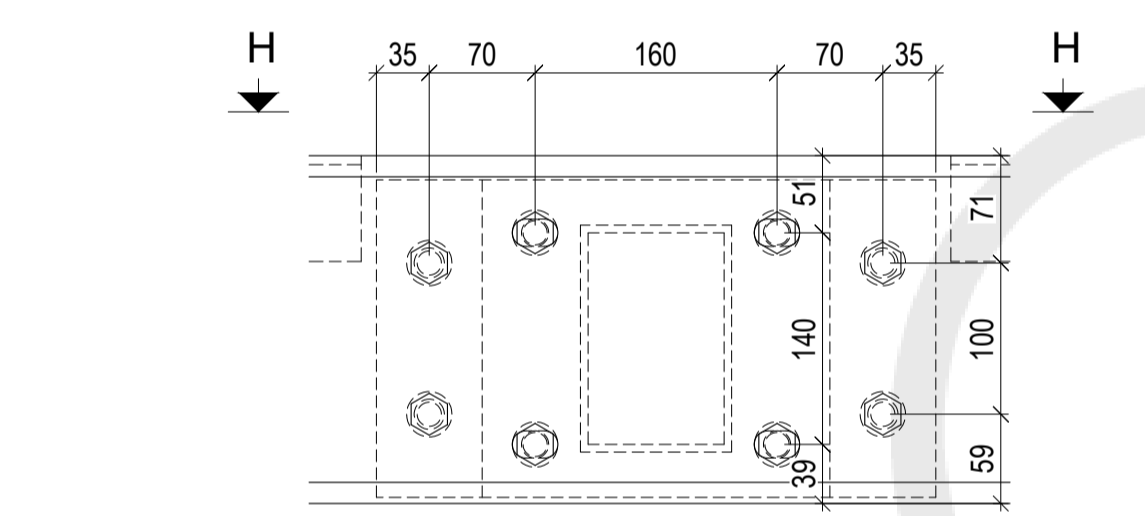
PRIVACY SCREEN TO WALL DETAIL
Scale 1:5



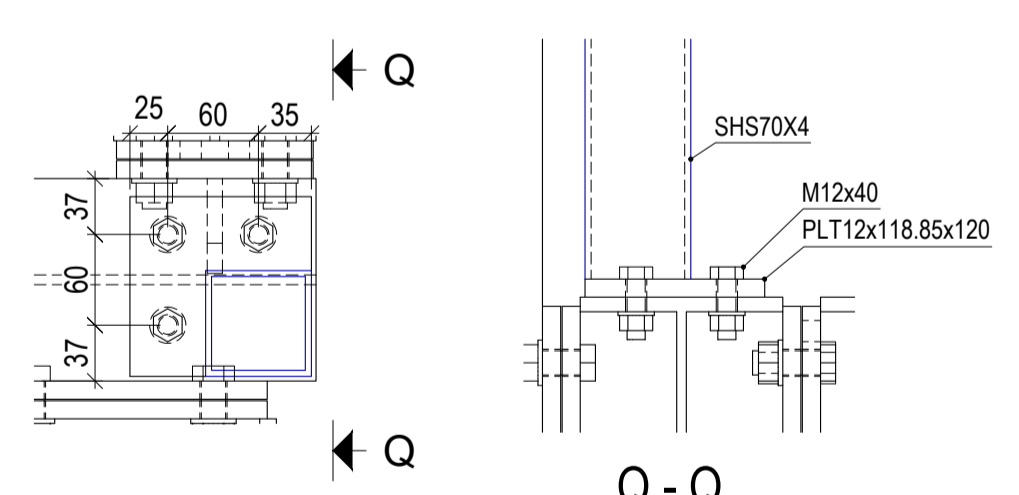
EXPANSION JOINT
Scale 1:7.5



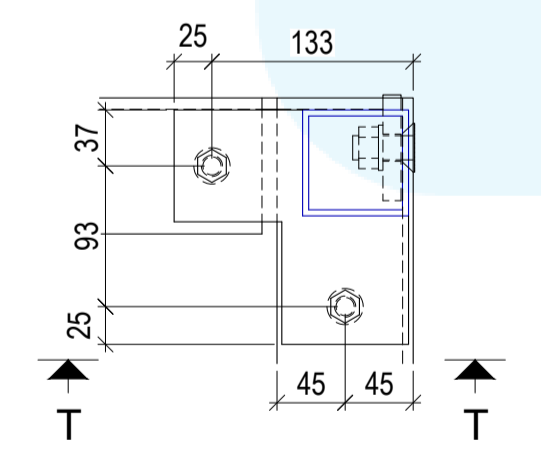
CONNECTION TO STUB AT GL9-10 L04
Scale 1:7.5



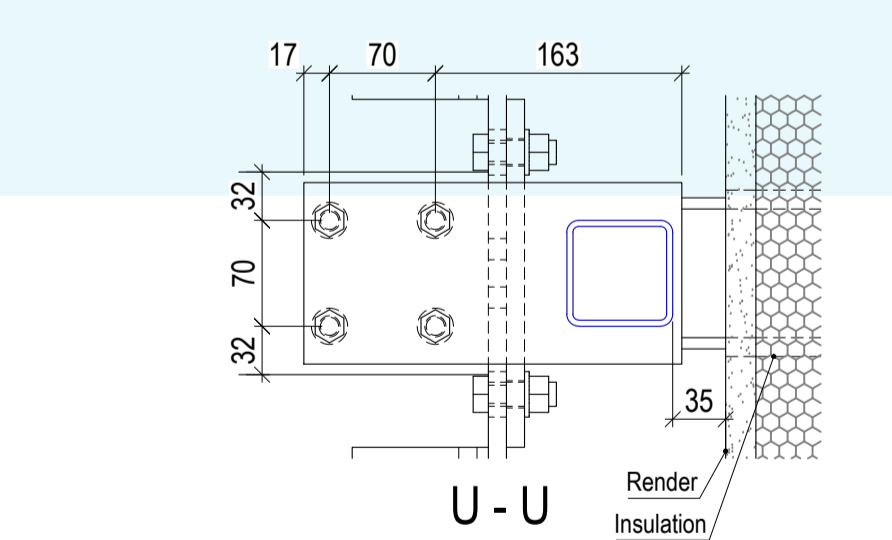
BALUSTRADE BASE PLATE
Scale 1:5



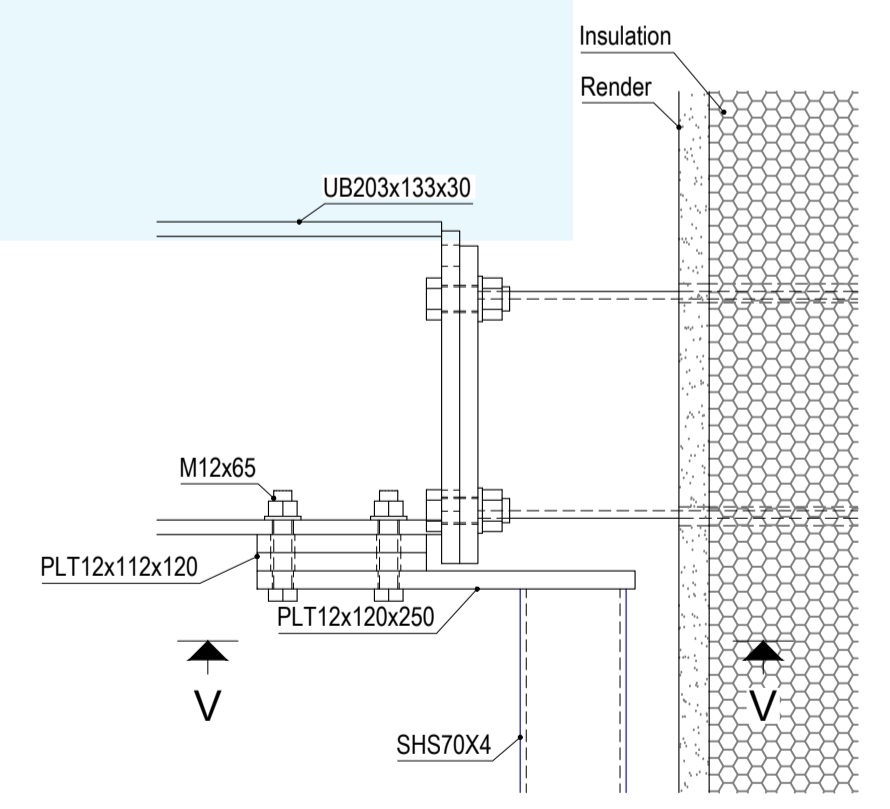
BALUSTRADE CORNER BASE PLATE TYPE 1
Scale 1:5



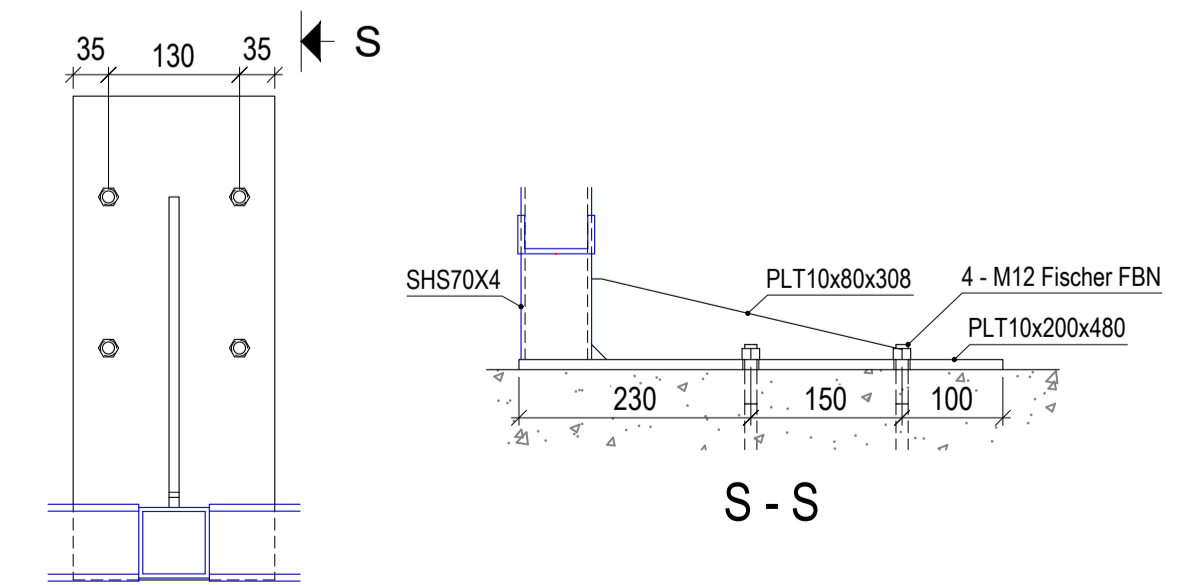
BALUSTRADE CORNER BASE PLATE TYPE 3
Scale 1:5



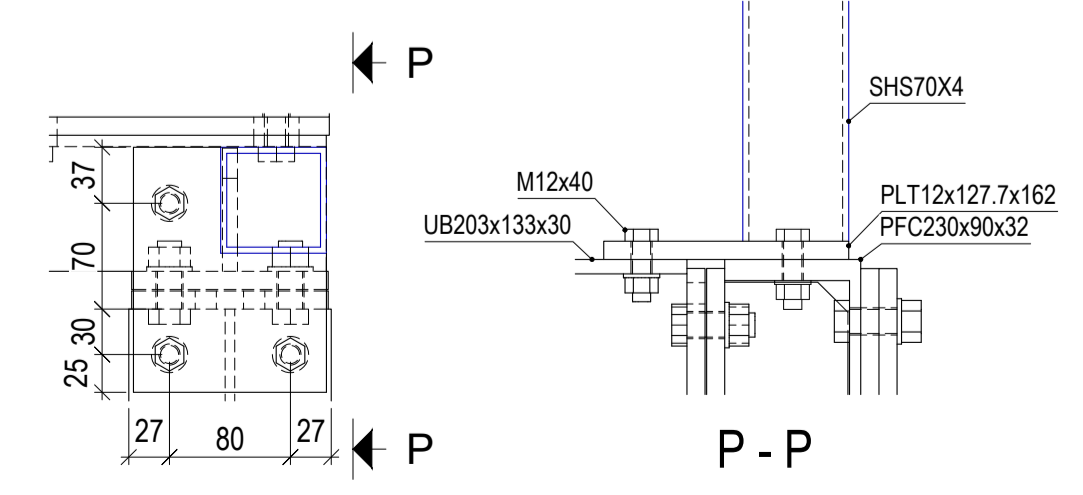
PRIVACY SCREEN BASE PLATE
Scale 1:5



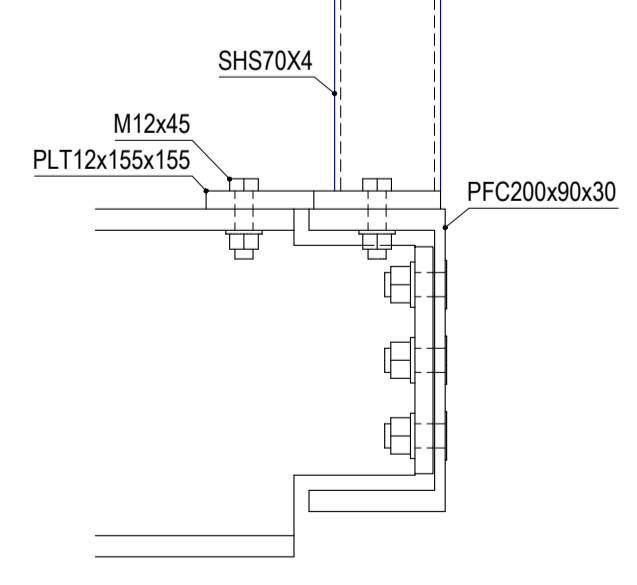
PRIVACY SCREEN FIXING AT TOP
Scale 1:5



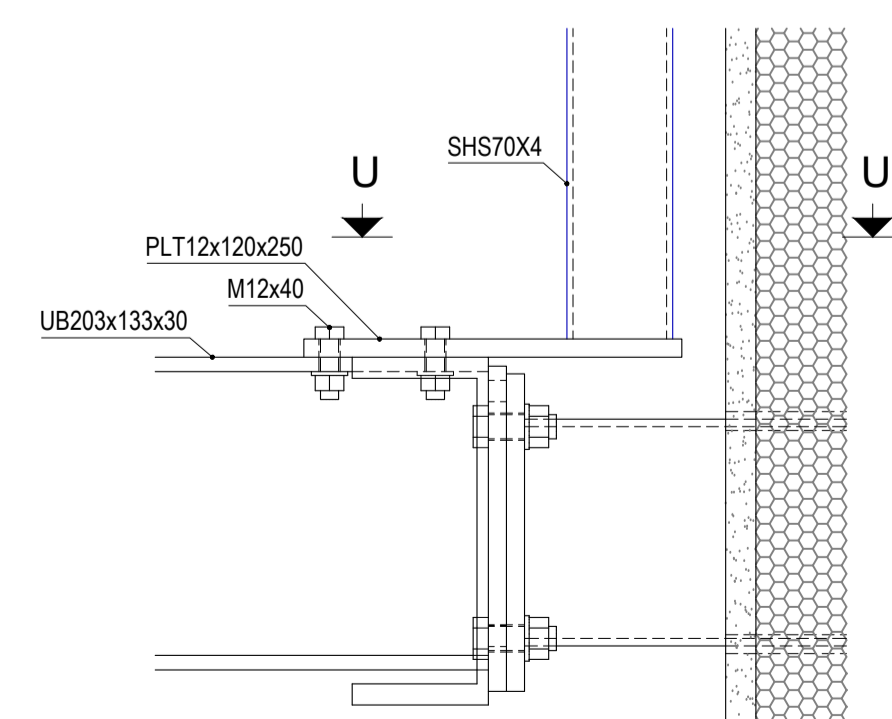
BALUSTRADE BASE PLATE (TERRACE)
Scale 1:7.5



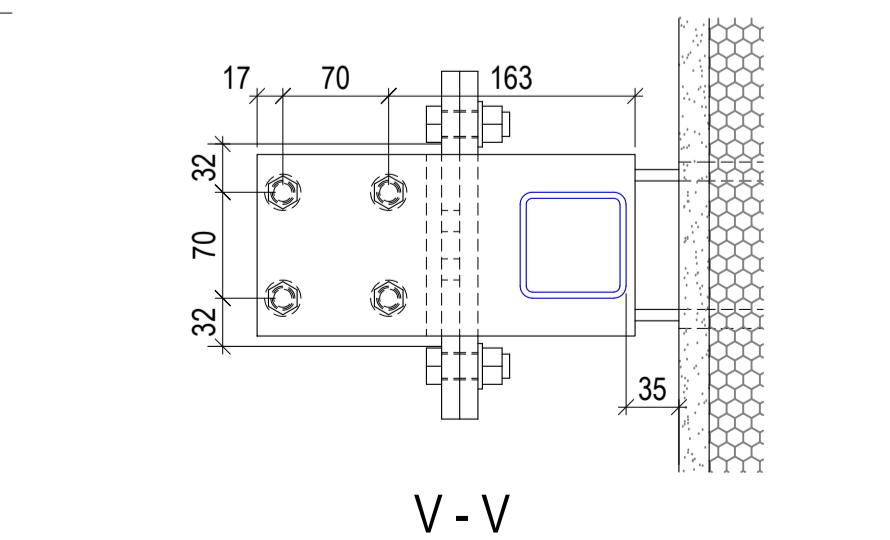
BALUSTRADE CORNER BASE PLATE TYPE 2
Scale 1:5



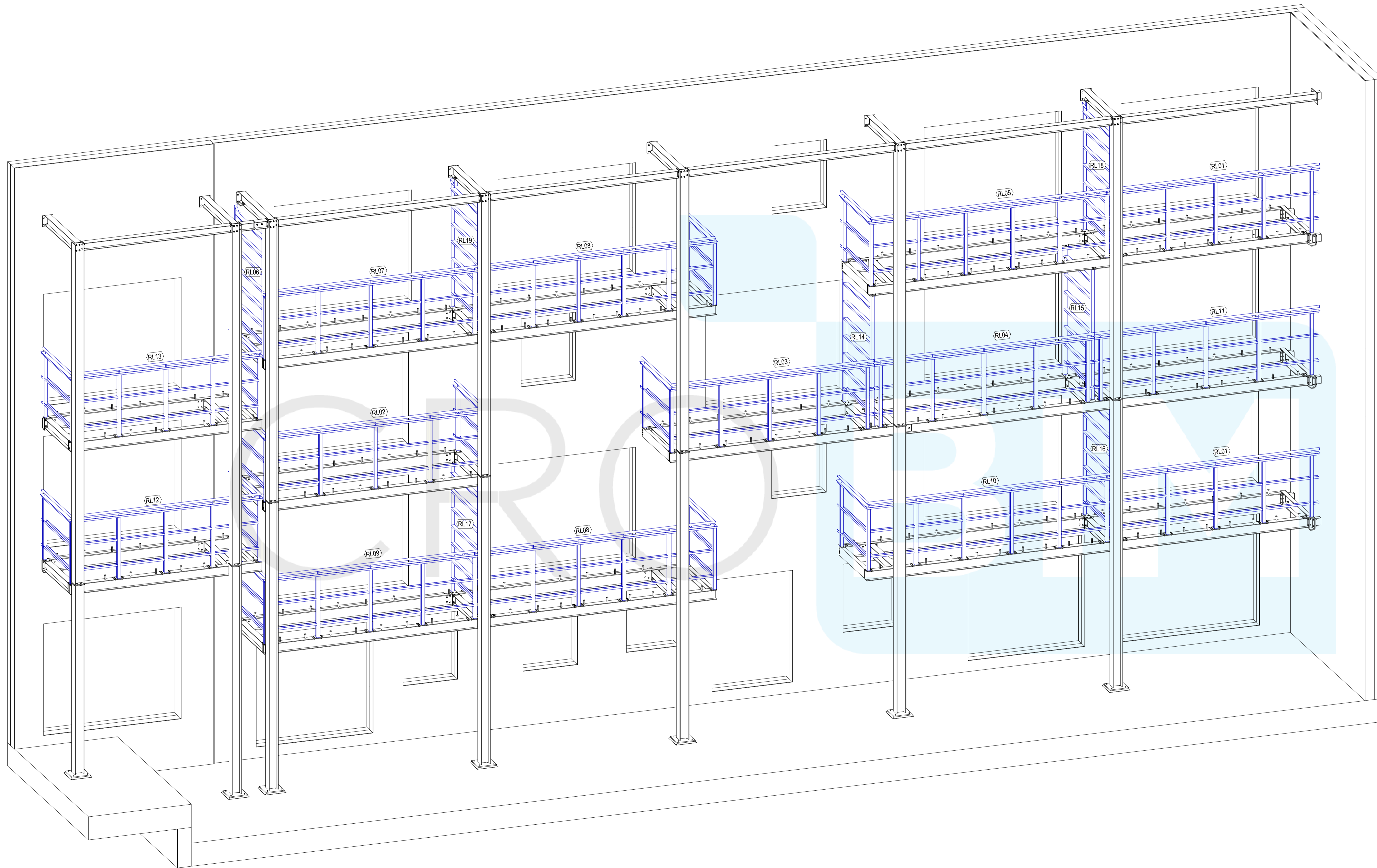
BALUSTRADE CORNER BASE PLATE TYPE 3
Scale 1:5



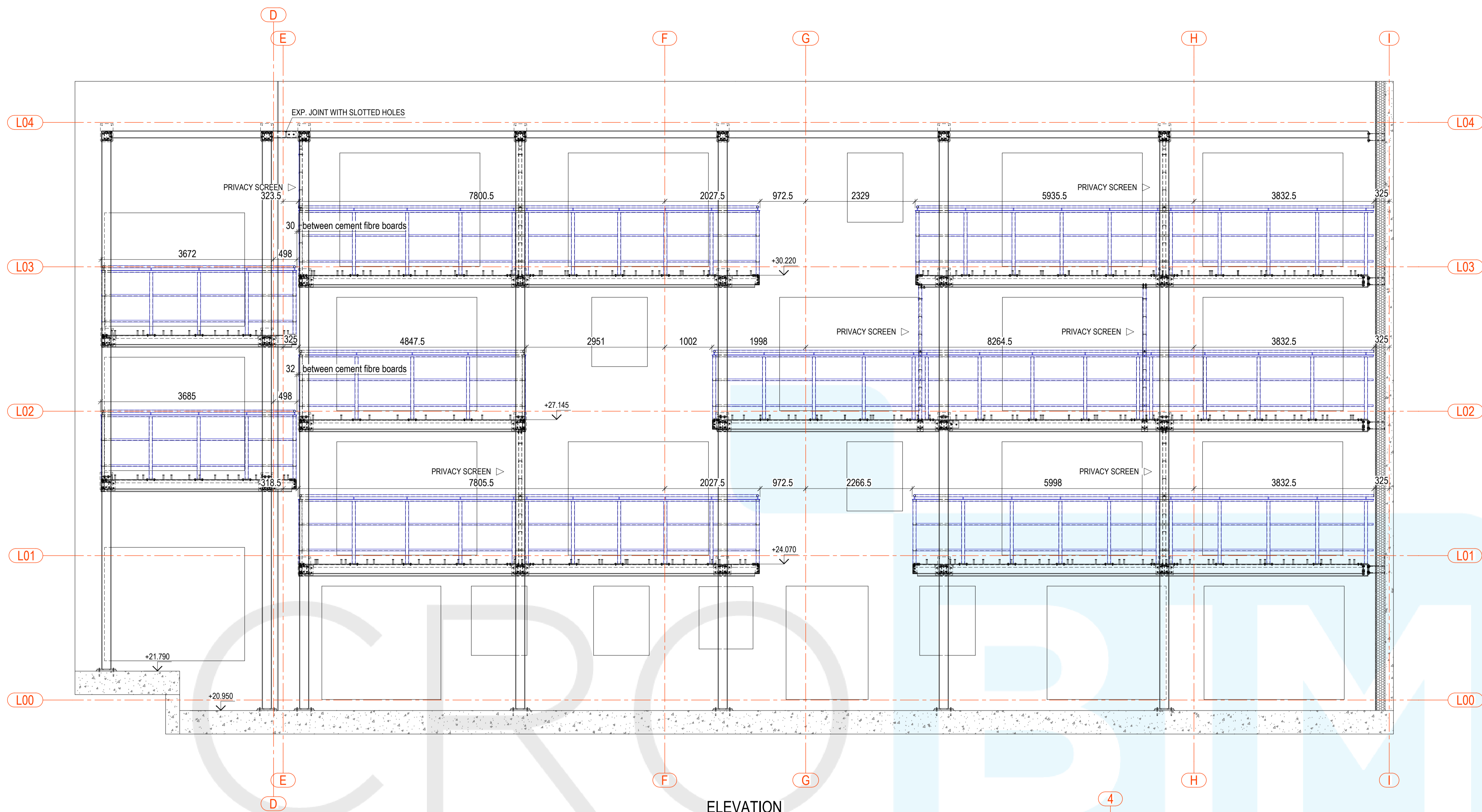
PRIVACY SCREEN BASE PLATE
Scale 1:5



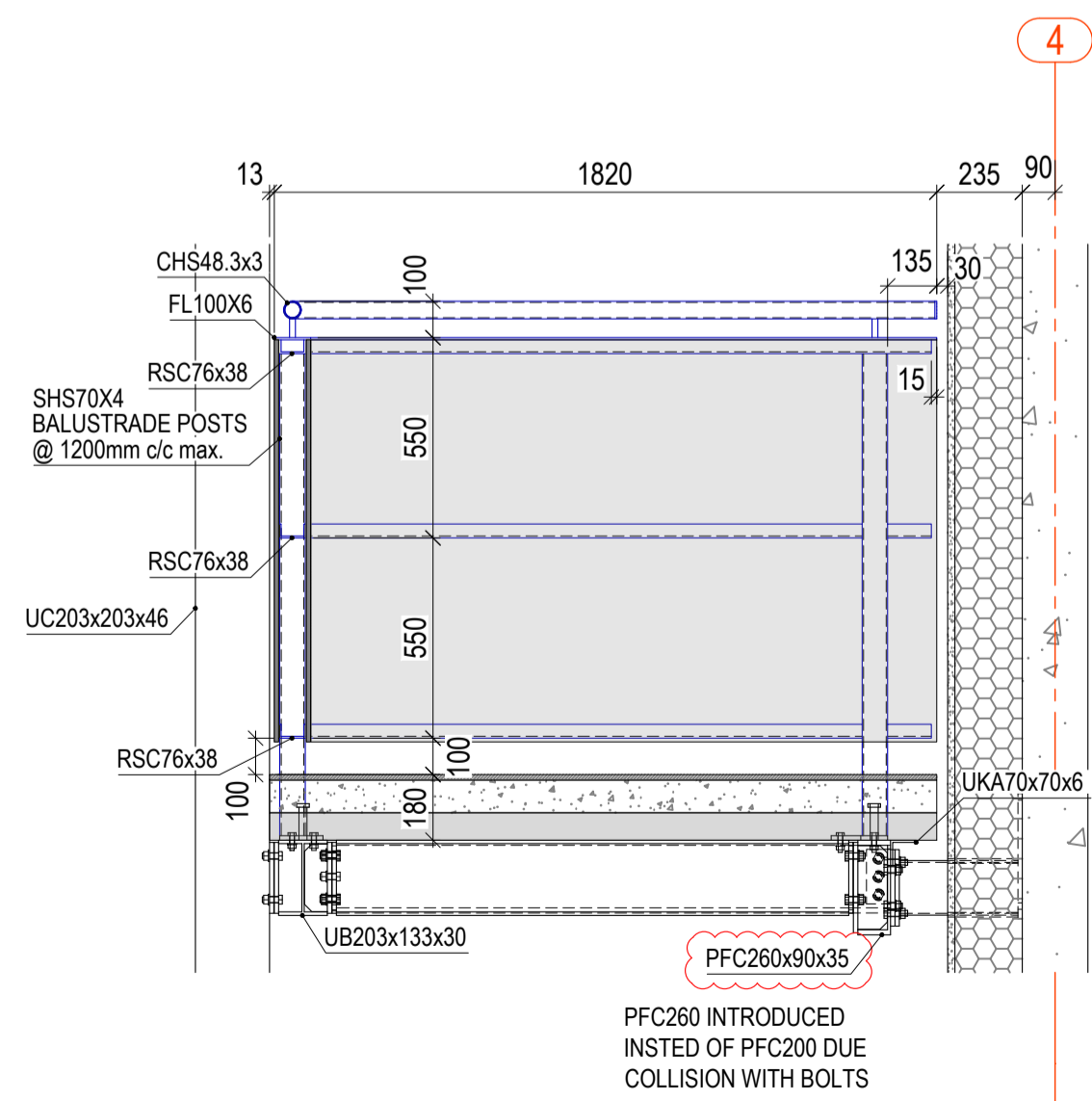
PRIVACY SCREEN FIXING AT TOP
Scale 1:5



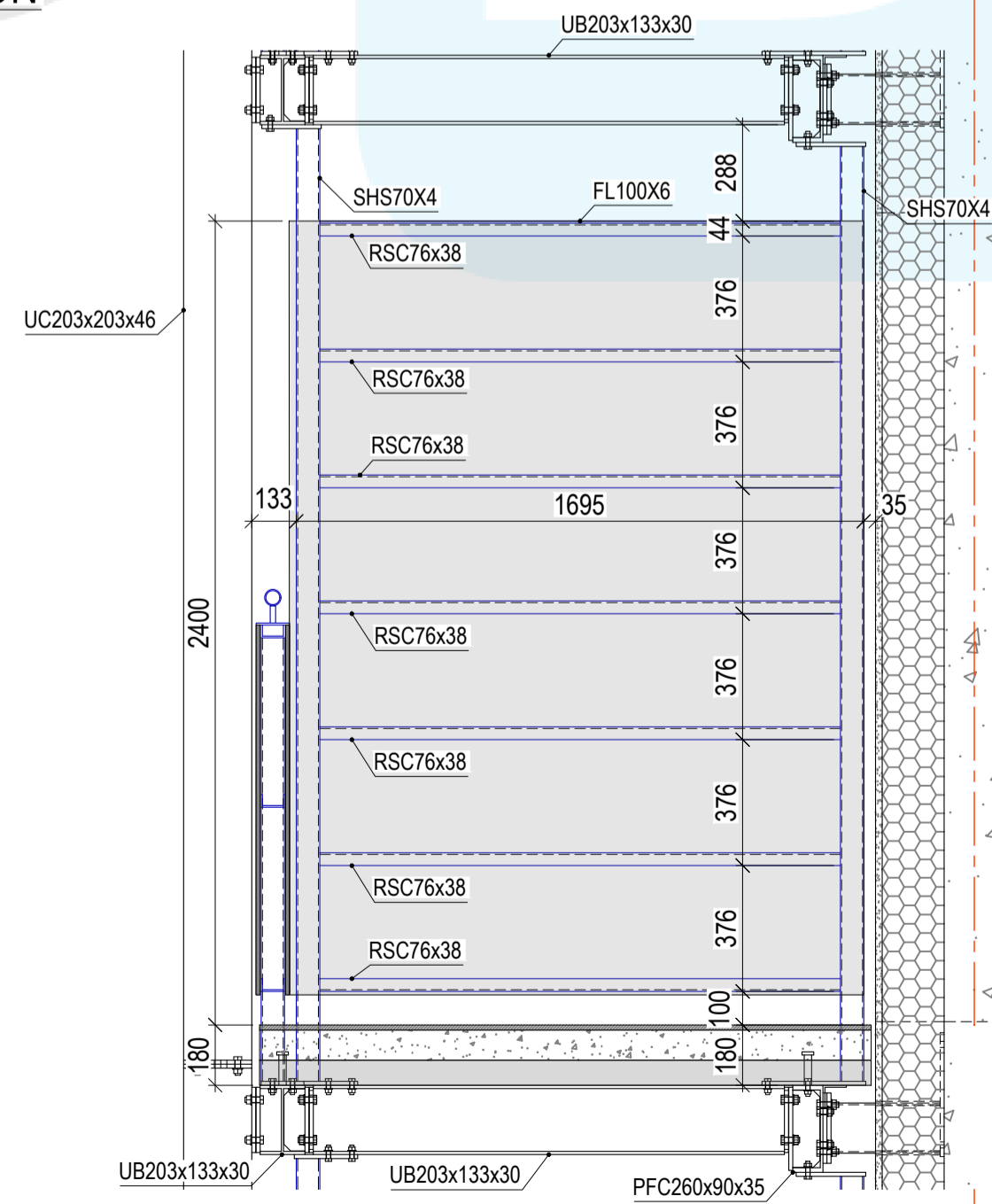
3D VIEW
Scale 1:40



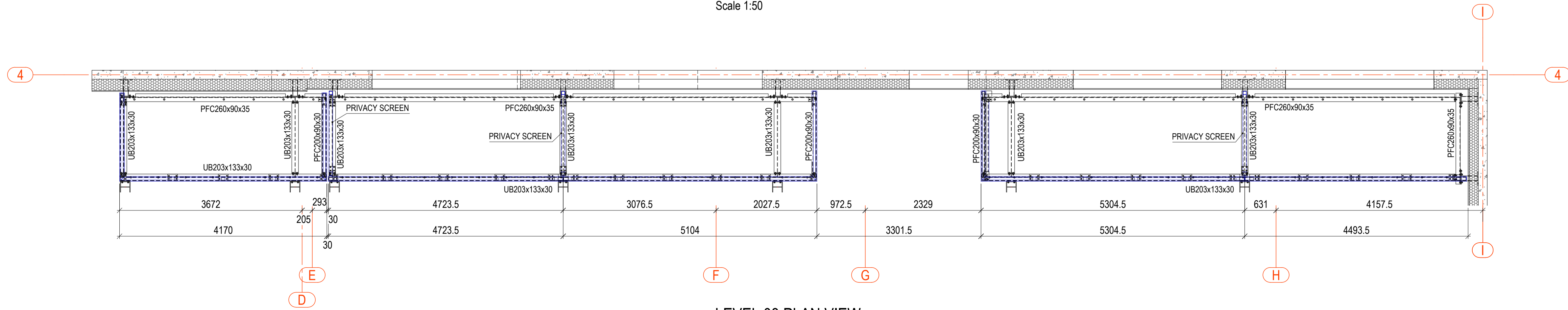
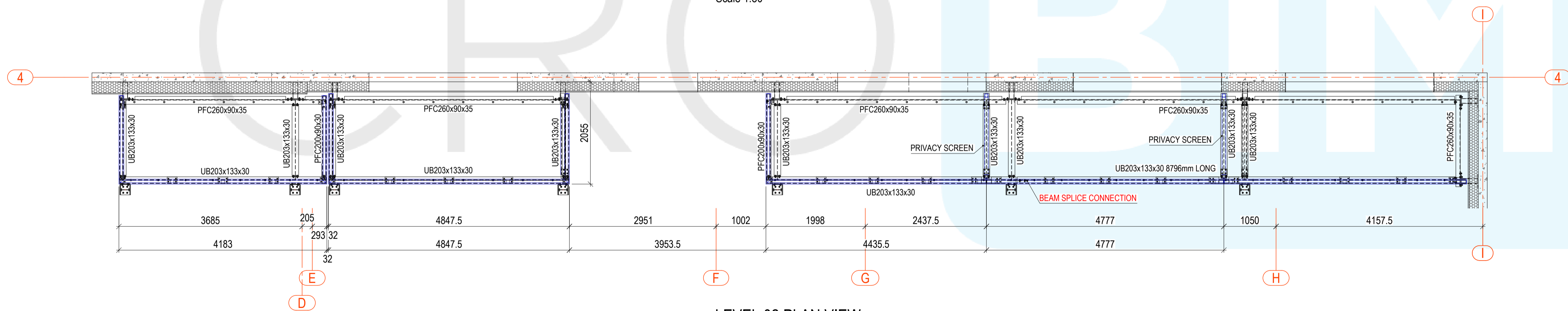
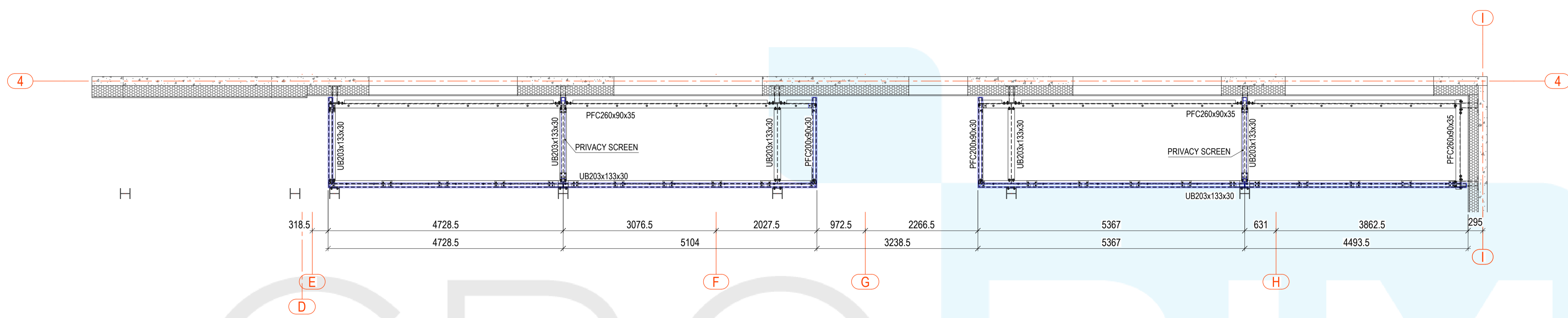
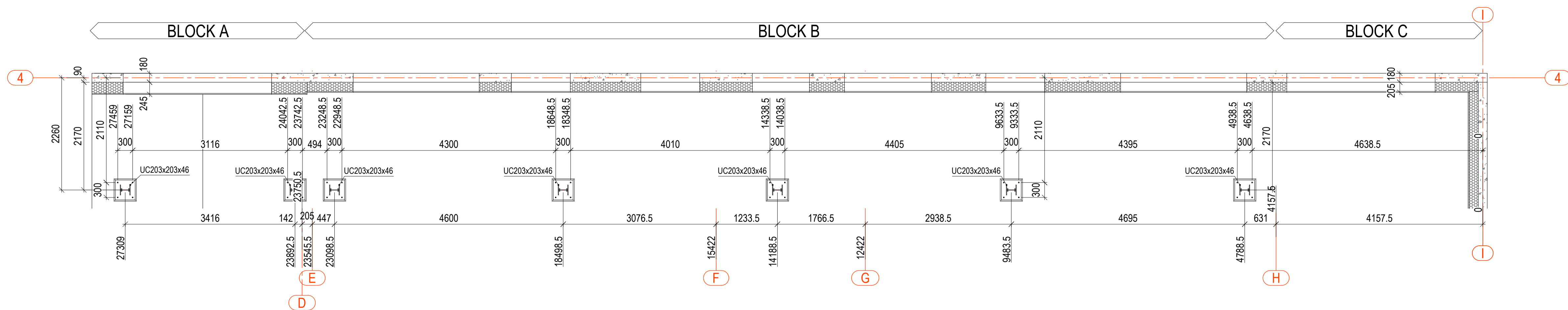
ELEVATION
Scale 1:50

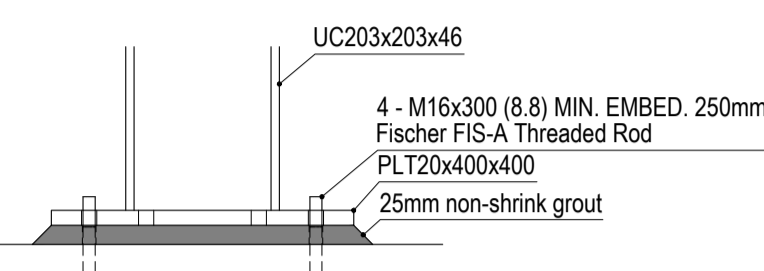
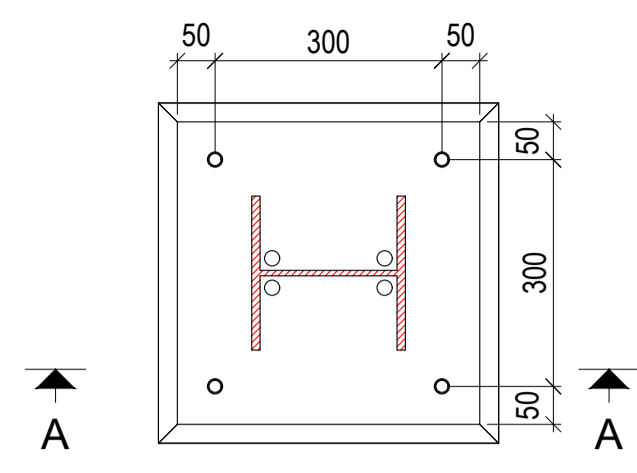


TYPICAL BALCONY SECTION
Scale 1:20

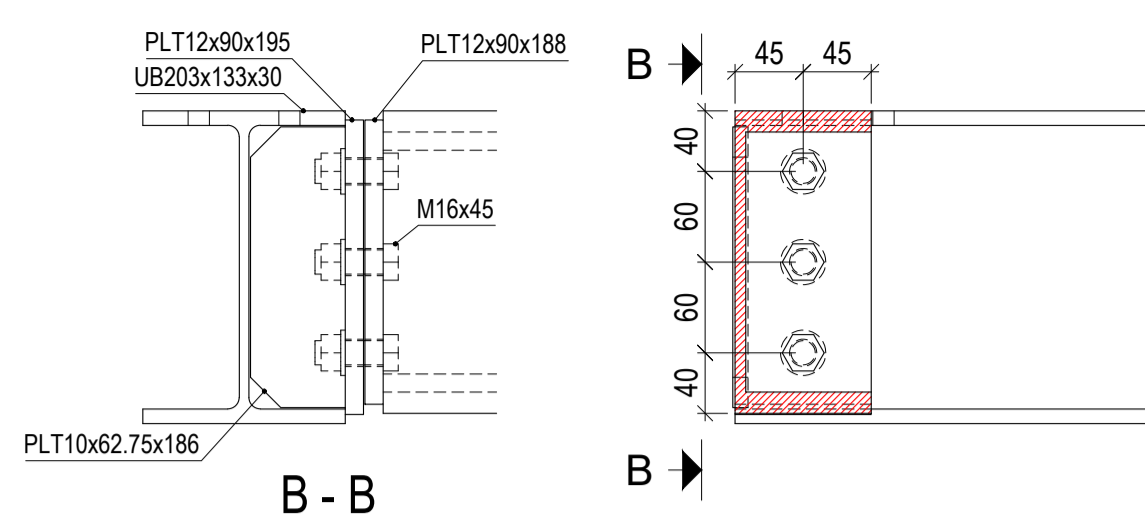


TYPICAL PRIVACY SCREEN
Scale 1:20

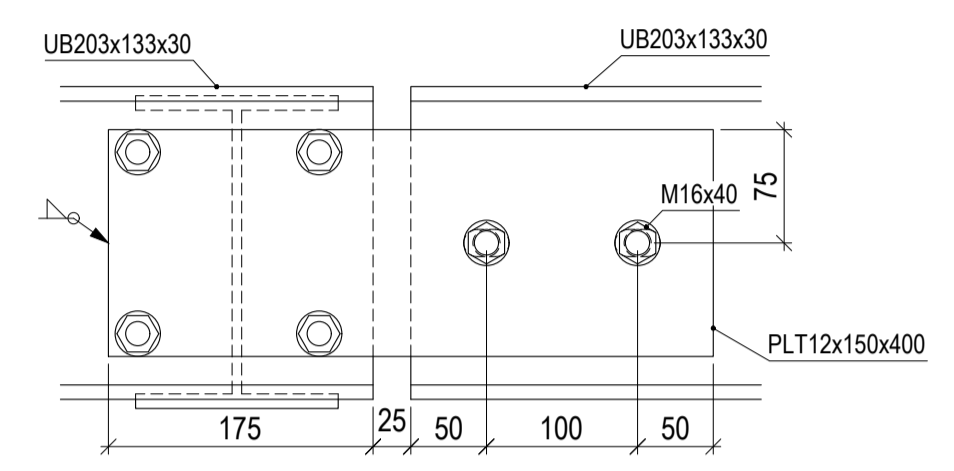




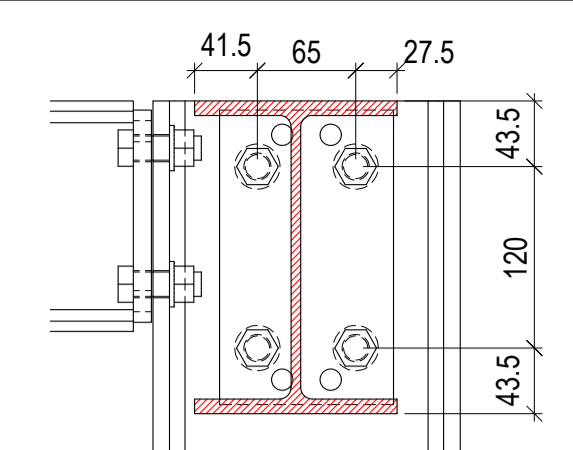
A - A
BASE PLATE DETAIL
Scale 1:10



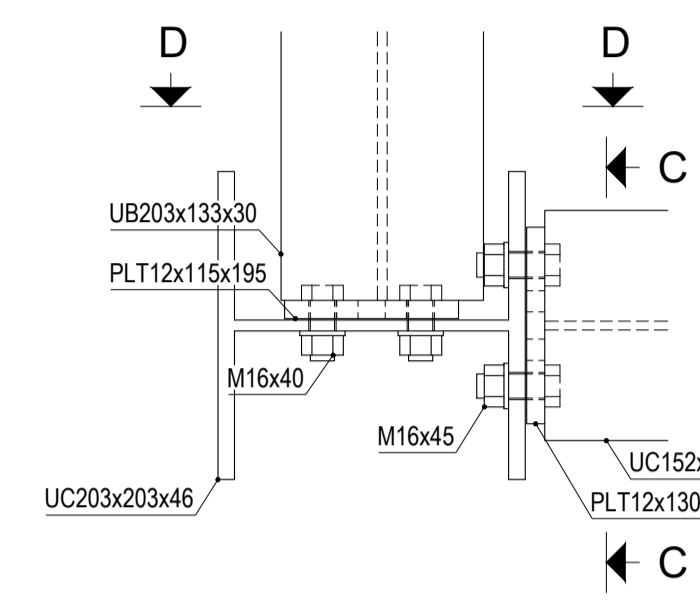
B - B
PFC200 TO UB233x133
Scale 1:5



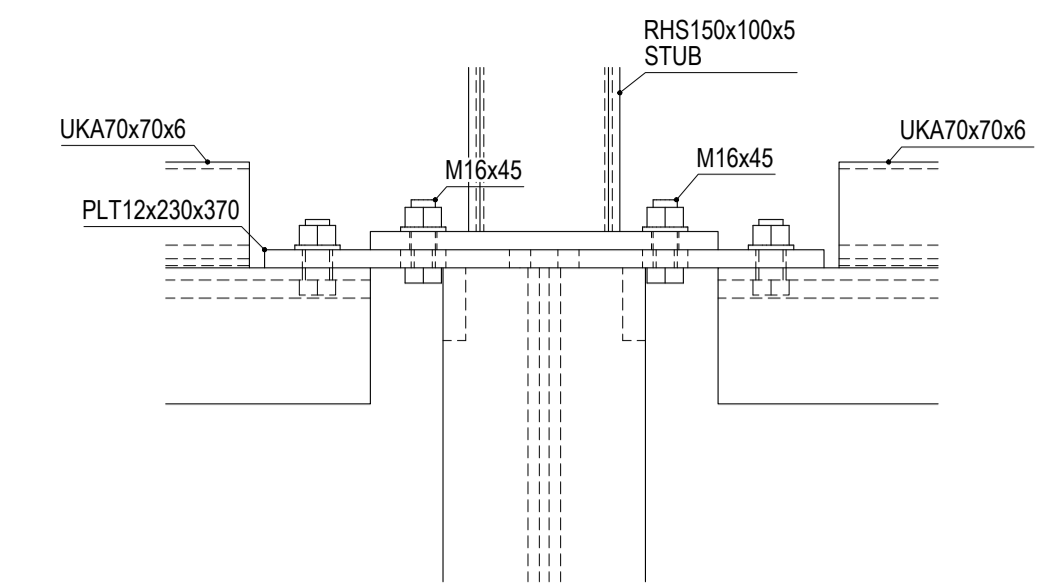
BEAM SPLICE CONNECTION AT OUTER EDGE
Scale 1:5



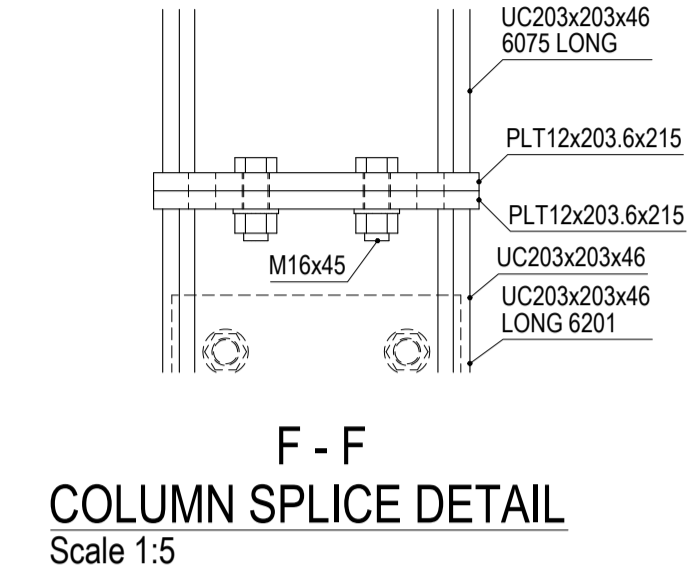
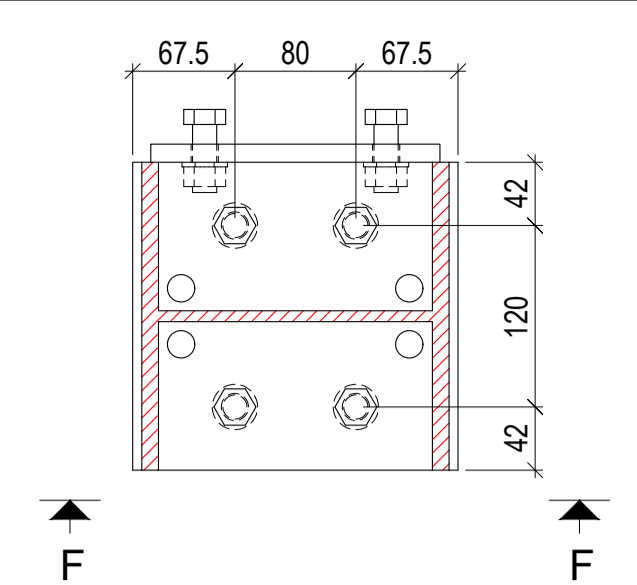
D - D



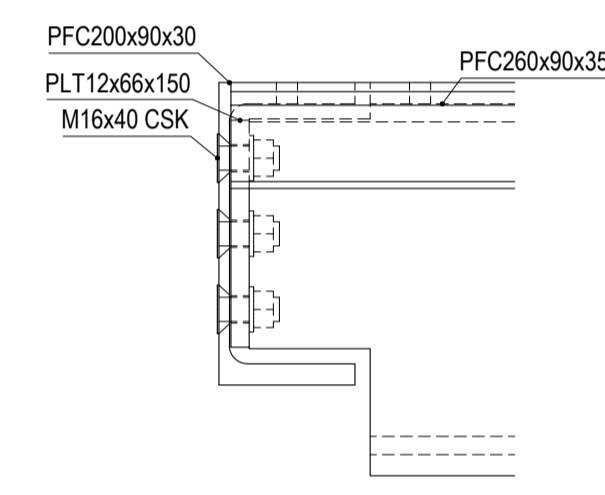
C - C
COLUMN TOP CONNECTION
Scale 1:5



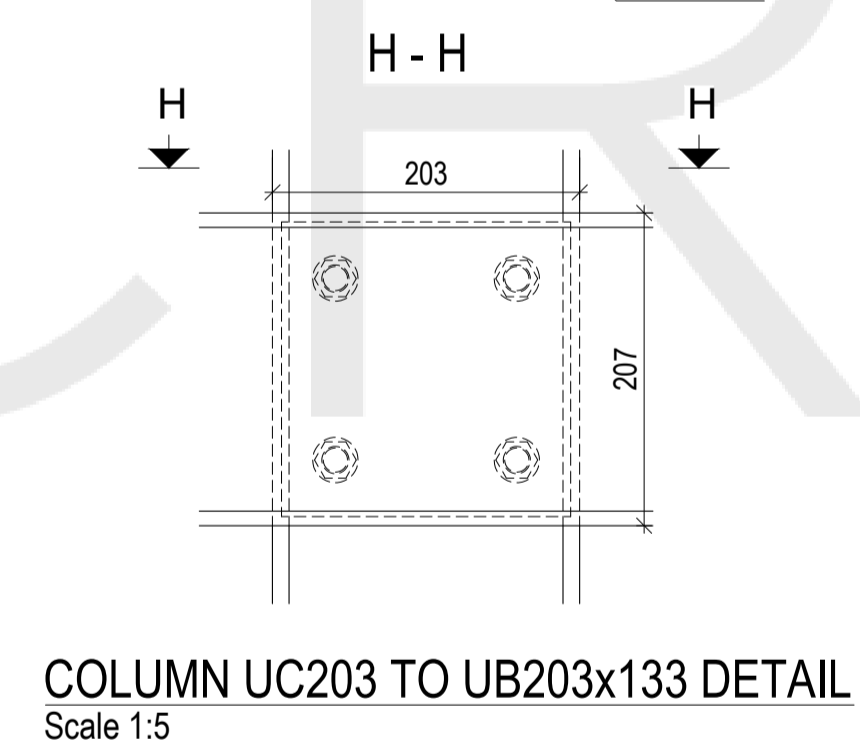
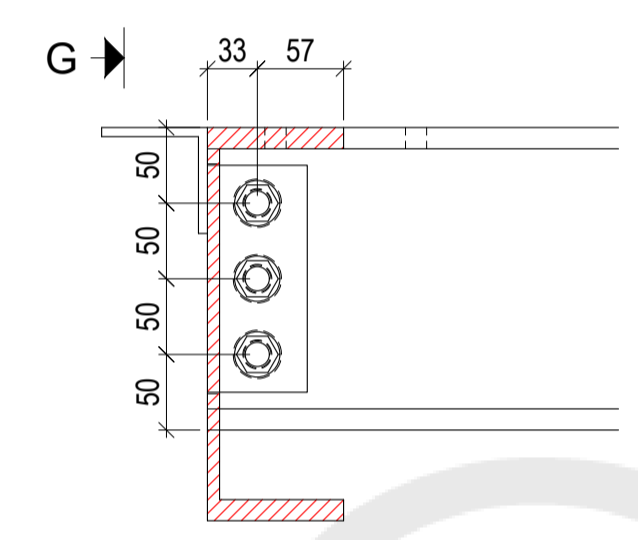
E - E
CONNECTION TO STUB DETAIL
Scale 1:5



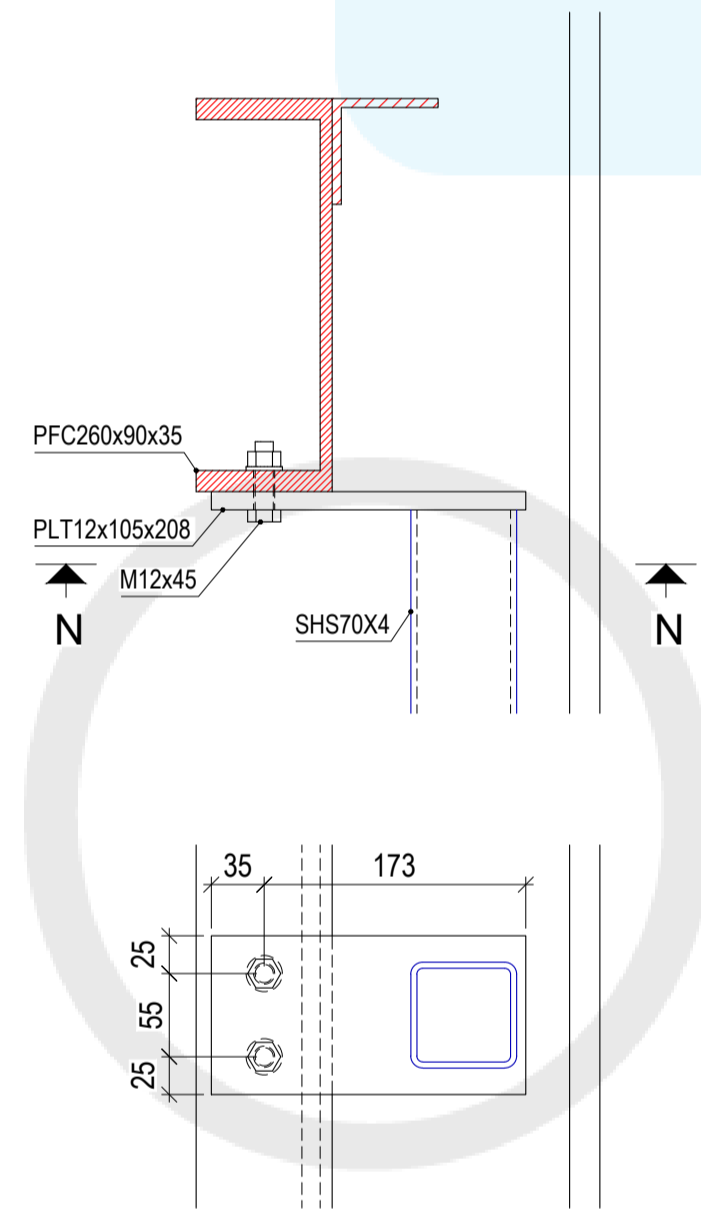
F - F
COLUMN SPLICE DETAIL
Scale 1:5



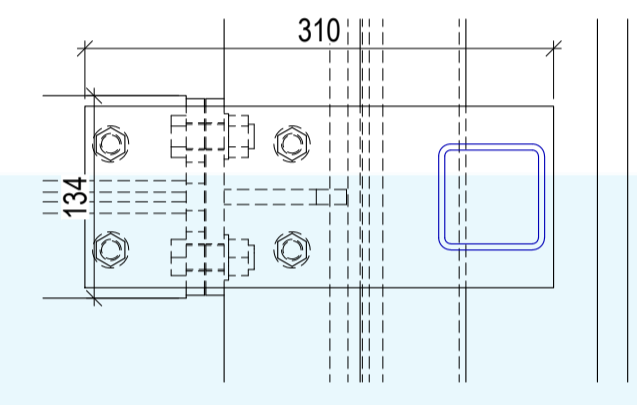
G - G
PFC260 TO PFC200 DETAIL
Scale 1:5



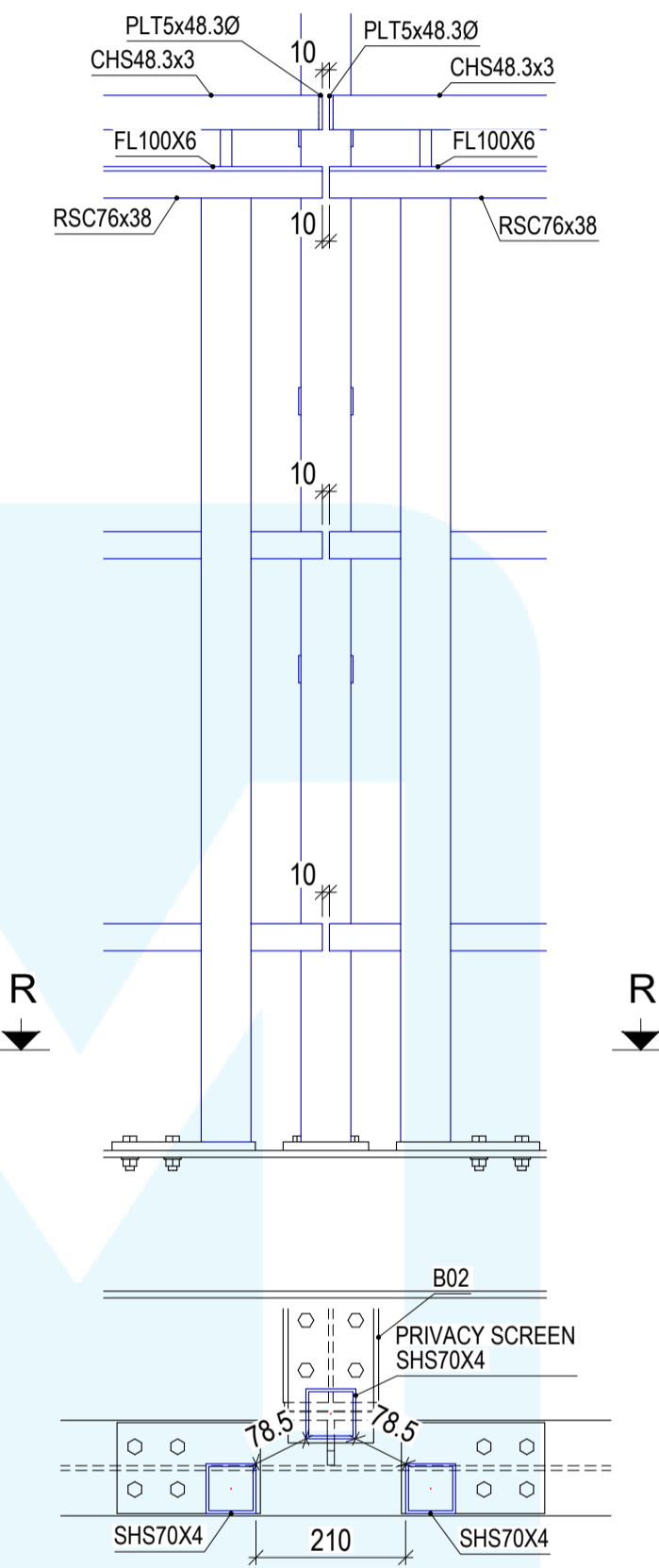
H - H
COLUMN UC203 TO UB203x133 DETAIL
Scale 1:5



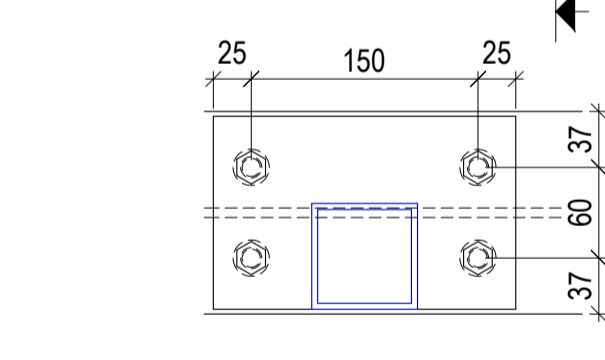
N - N
PRIVACY SCREEN FIXING AT TOP - TYPE 1
Scale 1:5



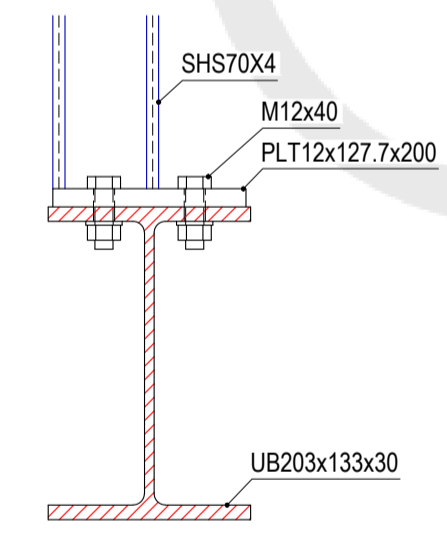
P - P
PRIVACY SCREEN BASE PLATE
Scale 1:5



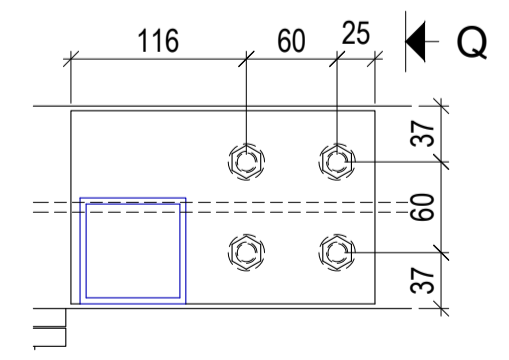
R - R
RAILING SPLICE
Scale 1:10



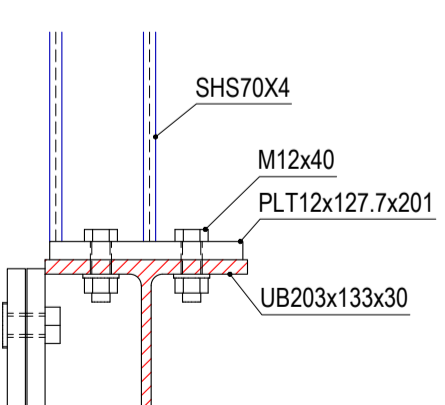
J - J
BALUSTRADE BASE PLATE 1
Scale 1:5



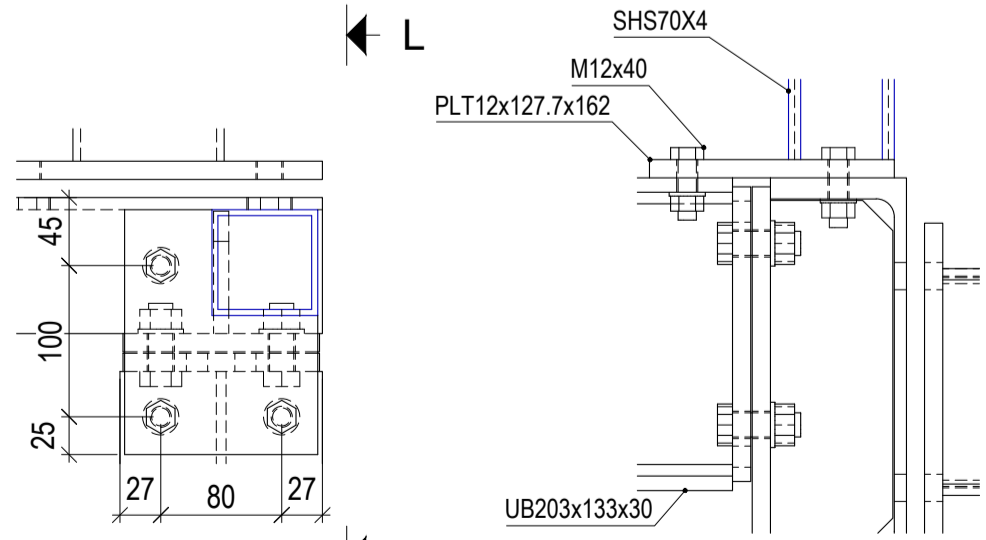
K - K
BALUSTRADE CORNER BASE PLATE TYPE 1
Scale 1:5



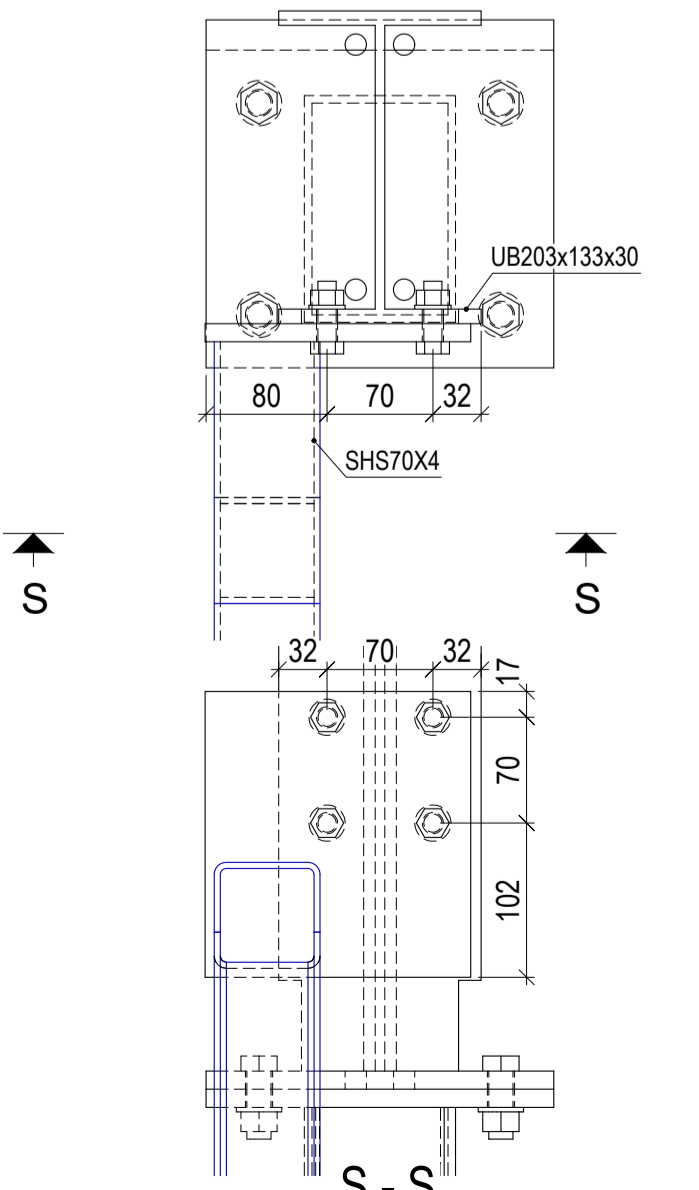
Q - Q
BALUSTRADE BASE PLATE 2
Scale 1:5



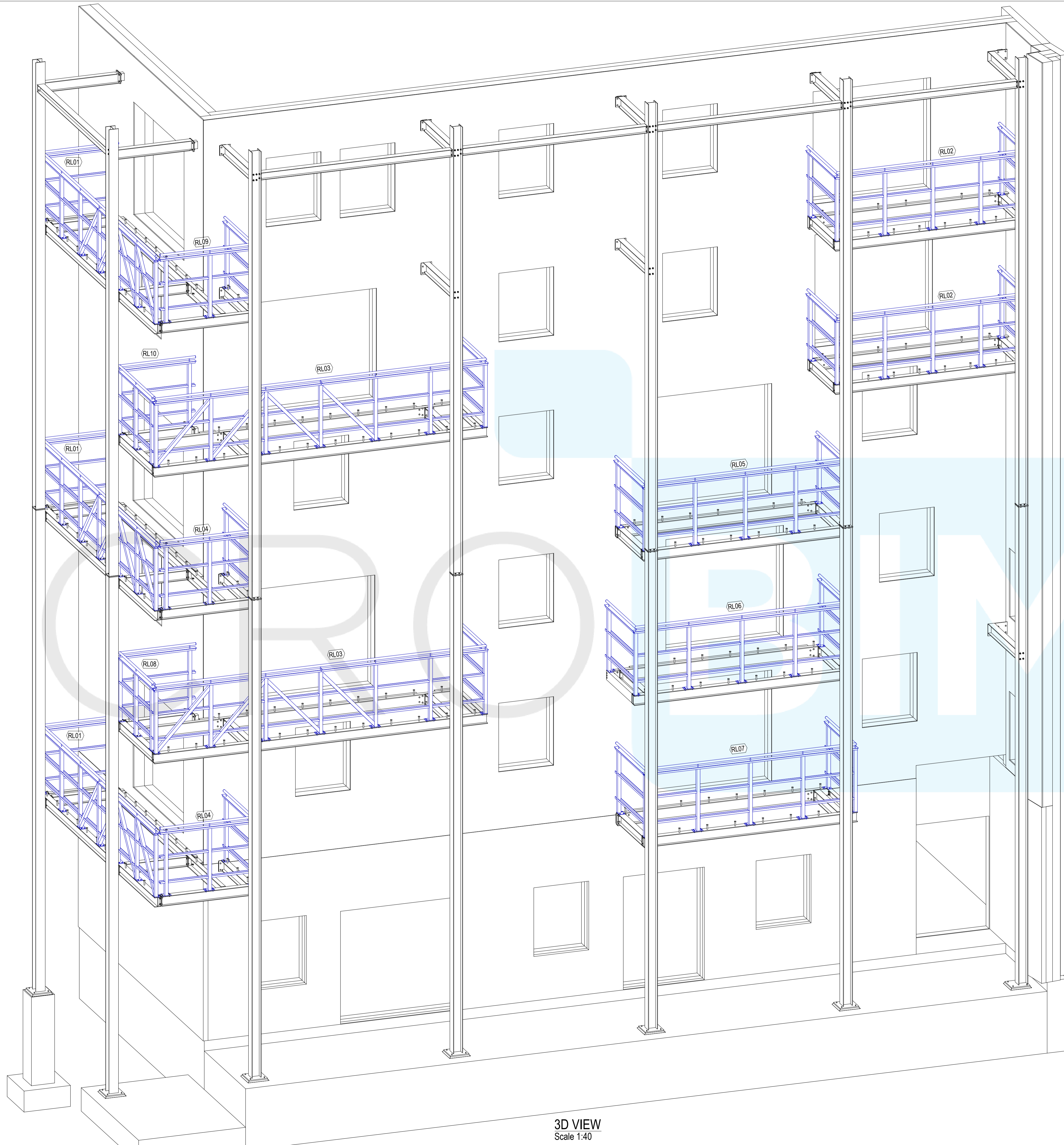
L - L
BALUSTRADE CORNER BASE PLATE TYPE 2
Scale 1:5



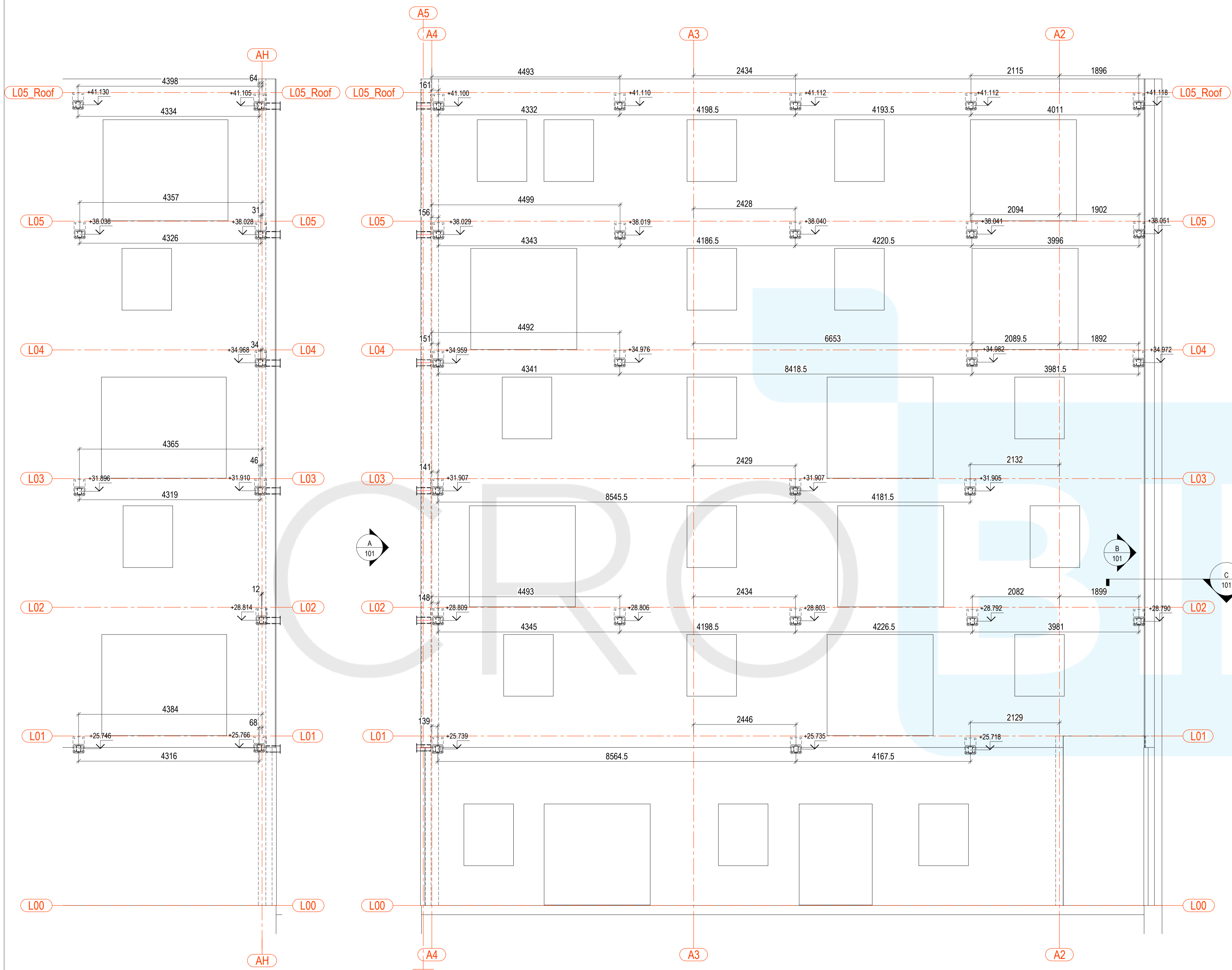
M - M
BALUSTRADE CORNER BASE PLATE TYPE 3
Scale 1:5



S - S
PRIVACY SCREEN FIXING AT TOP - TYPE 2
Scale 1:5

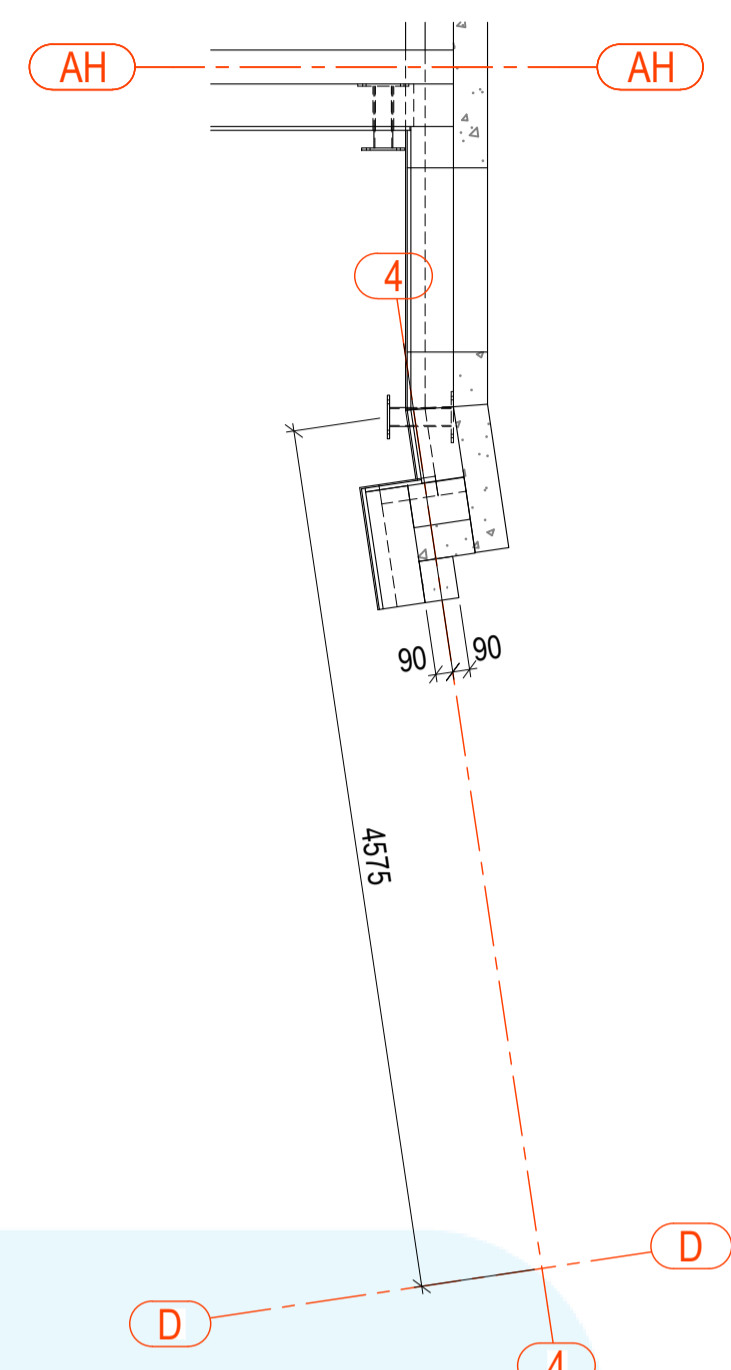


3D VIEW
Scale 1:40

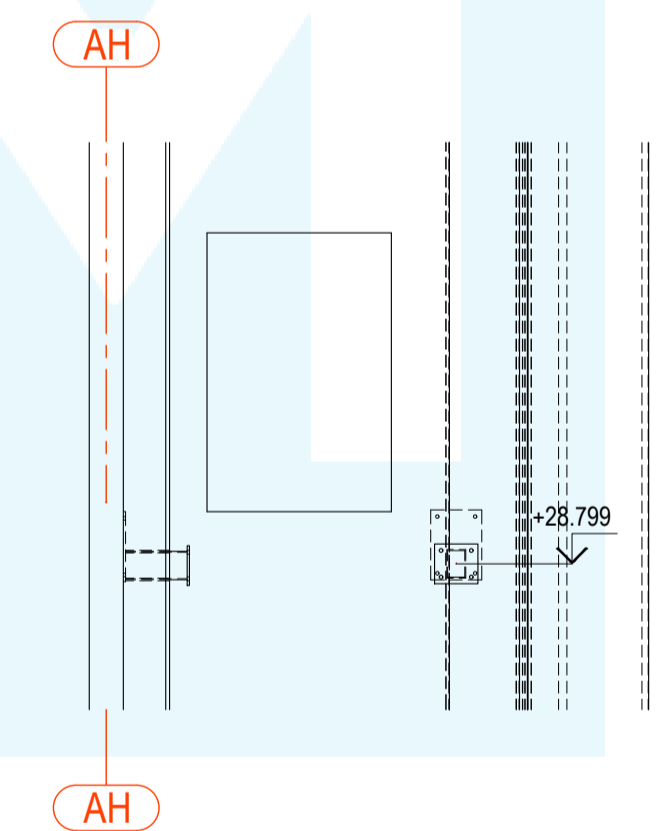


ELEVATION A
Scale 1:50

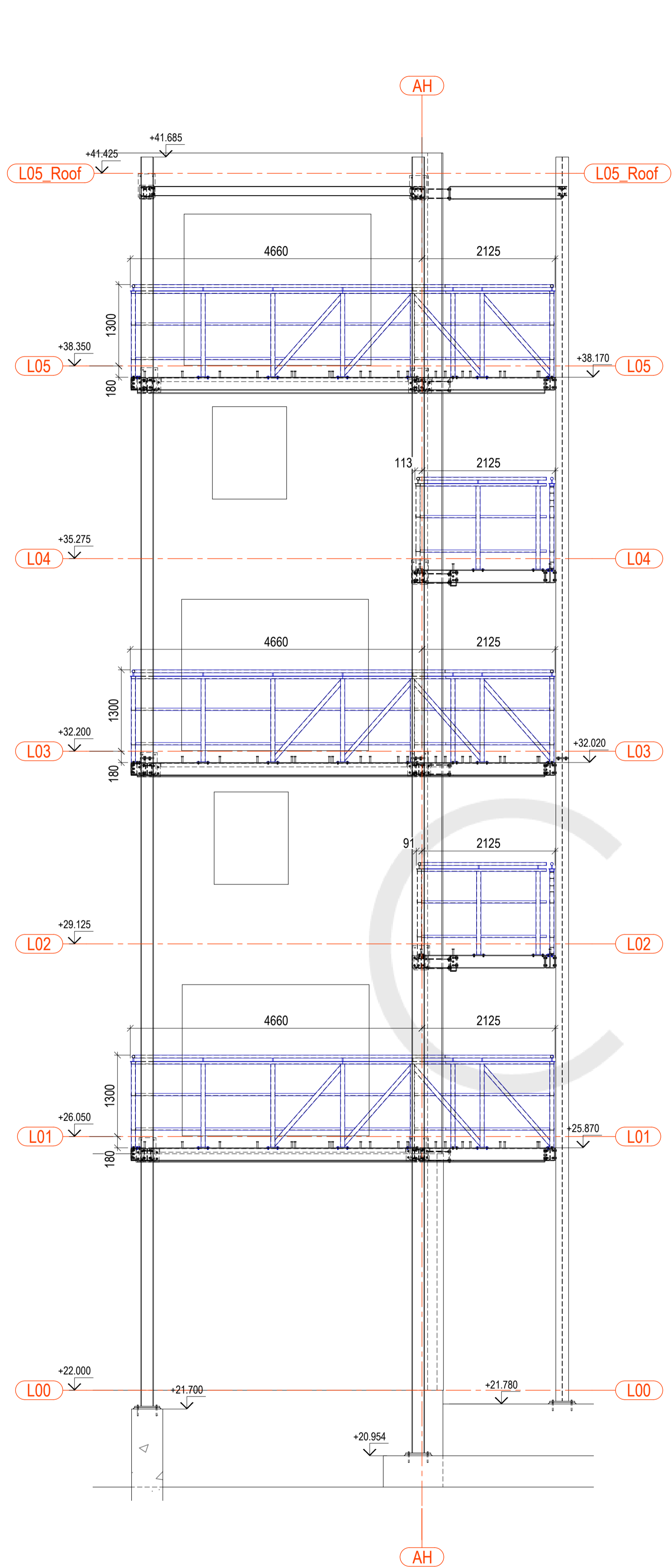
ELEVATION (STUB BRACKETS)
Scale 1:50



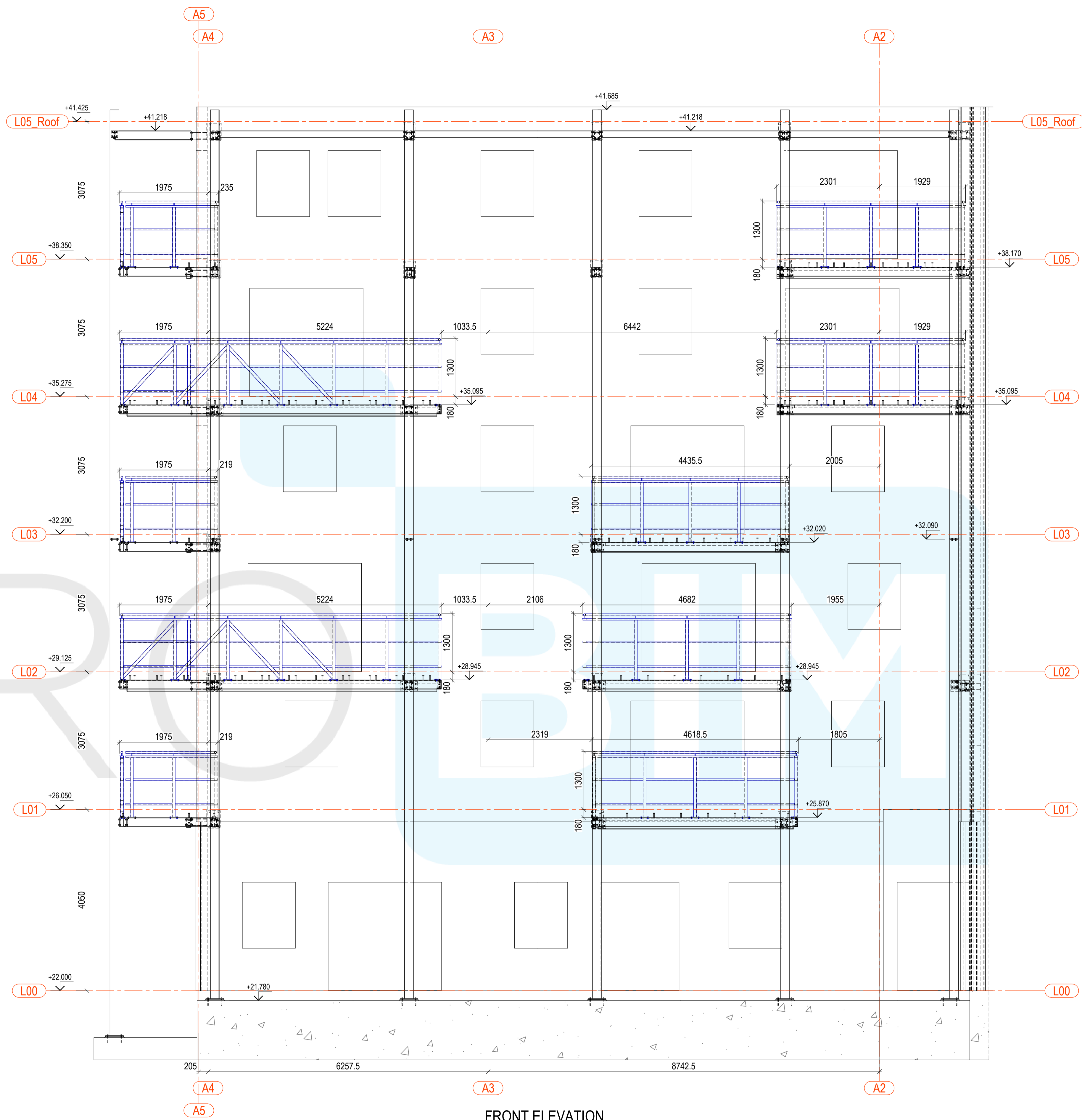
SECTION C
Scale 1:40



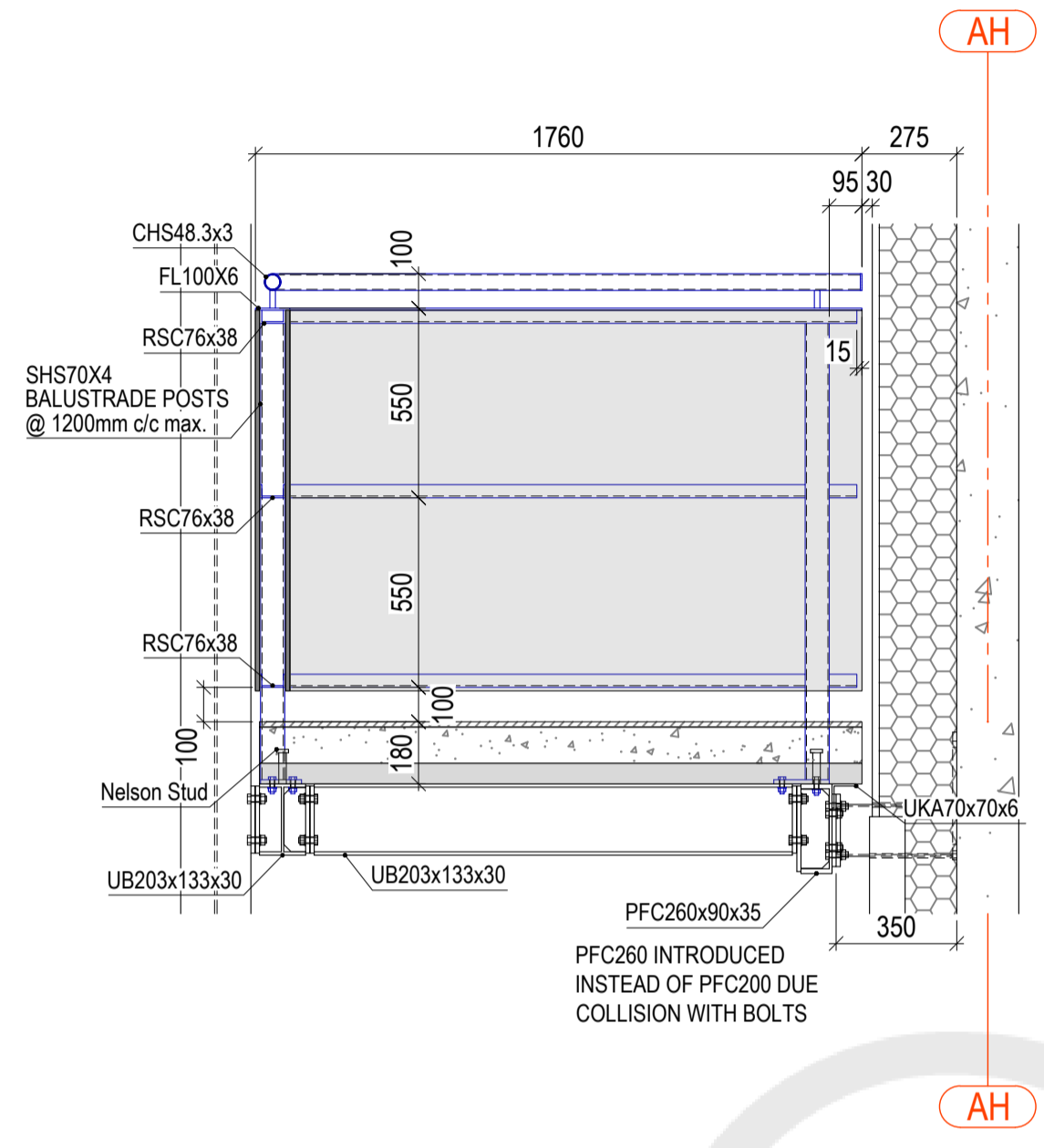
ELEVATION B
Scale 1:40



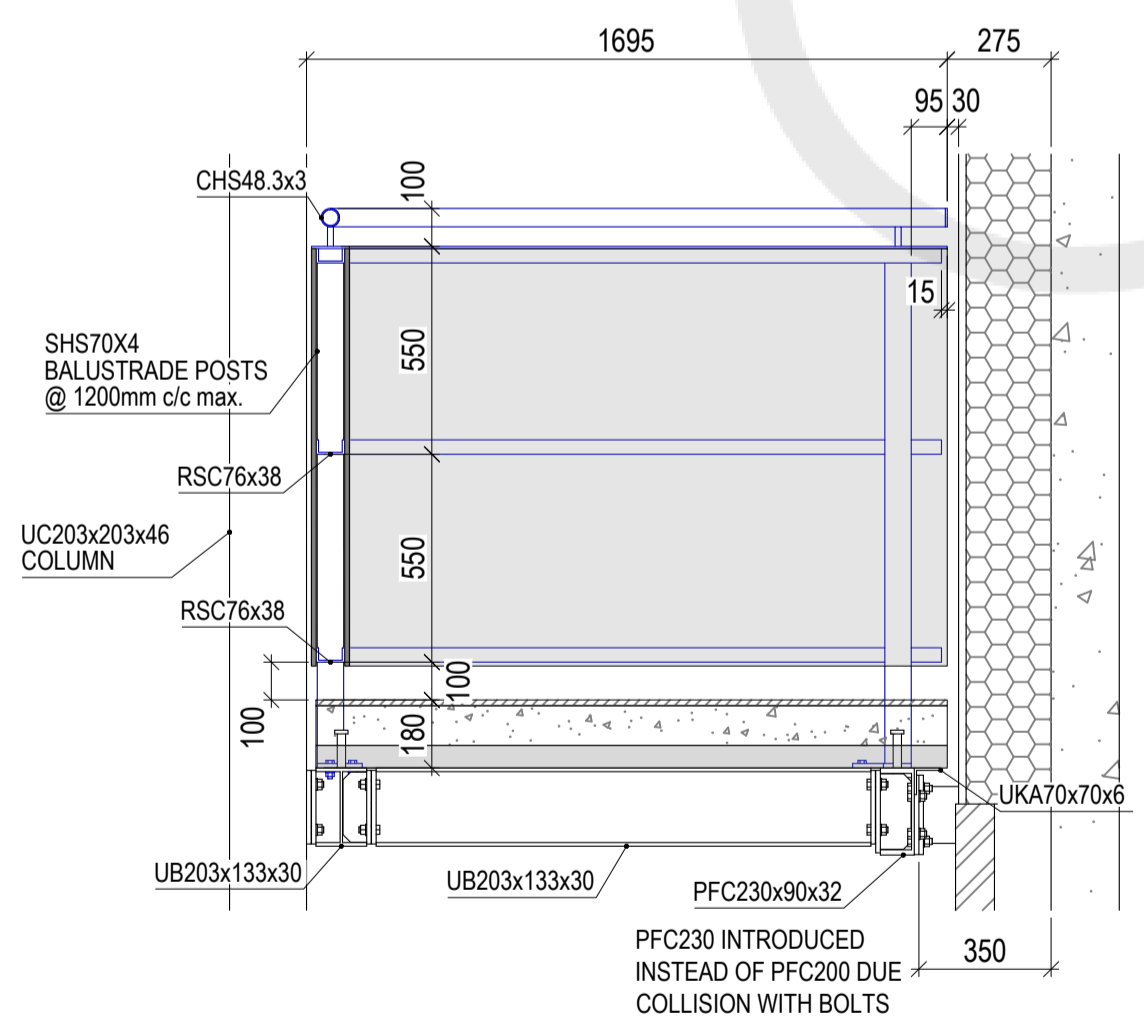
SIDE ELEVATION
Scale 1:50



FRONT ELEVATION
Scale 1:50



TYPICAL BALCONY SECTION AT GL AH-AH
Scale 1:20



TYPICAL BALCONY SECTION AT GL A5-A5
Scale 1:20

